

Lenovo
V50s-07IMB

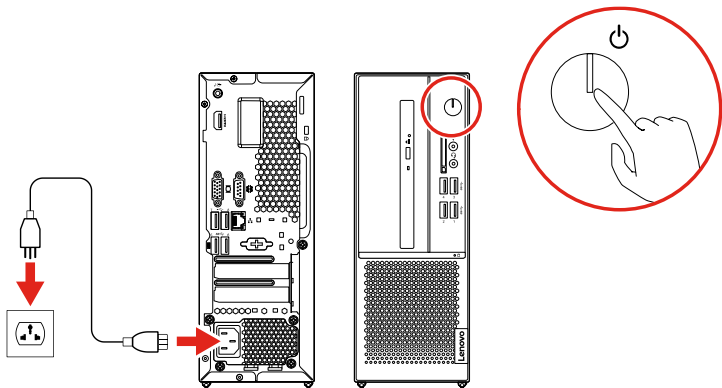
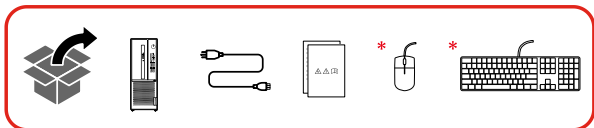
Setup Guide

Lenovo

For Barcode Position Only

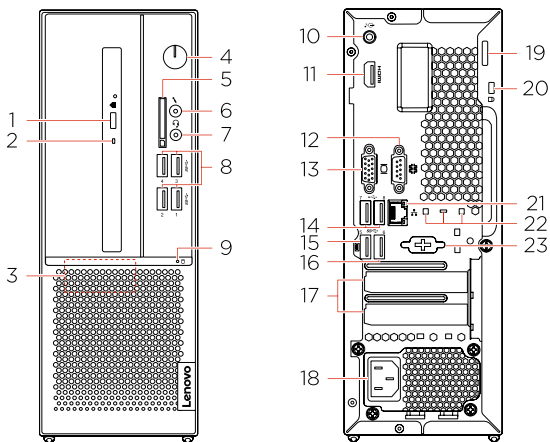
Printed in China
PN: SP40K37497

Initial Setup



* For selected models

Overview



- * 1. Optical drive eject button
- * 2. Optical drive activity indicator
- * 3. Internal speaker
- 4. Power button
- * 5. SD-card slot
- 6. Microphone connector
- 7. Headset connector
- 8. USB 3.2 connectors Gen 1
- 9. Storage drive activity indicator
- 10. Audio line-out connector
- 11. HDMI™ out connector
- 12. Serial connector
- 13. VGA-out connector
- 14. USB 2.0 connectors
- 15. USB 3.2 connector Gen 1
- 16. USB 3.2 connector Gen 1
- 17. PCI Express card area
- 18. Power cord connector
- 19. Padlock loop
- 20. Security-lock slot
- 21. Ethernet connector
- 22. Smart cable clip slots
- * 23. Serial connector

i Read the statement on USB transfer rate in the *User Guide*. Refer to the *Safety and Warranty Guide* for accessing the *User Guide*.

Customer Replaceable Units (CRUs)

- Coin-cell battery
- Computer cover
- Front bezel
- * • Keyboard
- * • M.2 solid-state drive
- Memory module
- * • Mouse
- * • Optical drive
- * • Optical drive bracket
- * • PCI Express card
- Power cord
- * • Smart cable clip
- * • Storage drive
- Storage drive bracket

Refer to the *User Guide* for CRU definition.

Additional information

European Union – compliance with the Radio Equipment Directive

Hereby, Lenovo (Singapore) Pte. Ltd., declares that the radio equipment type Lenovo V50s-071MB is in compliance with Directive 2014/53/EU.

The full text of the system EU declaration of conformity is available at the following Internet address:

<https://www.lenovo.com/us/en/compliance/eu-doc>

This radio equipment operates with the following frequency bands and maximum radio-frequency power:

Technology	Frequency band [MHz]	Maximum transmit power
WLAN 802.11b/g/n	2400 - 2483.5	< 20 dBm
WLAN 802.11a/n/ac	5150 - 5725	< 23 dBm
WLAN 802.11a/n/ac	5725 - 5875	< 13.98 dBm
Bluetooth BR/EDR/LE	2400 - 2483.5	< 20 dBm

Usage of all the radio devices is limited to indoor in the band 5150 MHz to 5350 MHz (channels 36, 40, 44, 48, 52, 56, 60, 64).



First Edition (July 2020)

© Copyright Lenovo 2020.

LIMITED AND RESTRICTED RIGHTS NOTICE: If data or software is delivered pursuant to a General Services Administration "GSA" contract, use, reproduction, or disclosure is subject to restrictions set forth in Contract No. GS-35F-05925.

Reduce | Reuse | Recycle

