

EPSON®

24-pin Dot Matrix Printer

LQ-630/LQ-630S

All rights reserved. No part of this publication may be reproduced, stored in a retrieval system, or transmitted in any form or by any means, electronic, mechanical, photocopying, recording, or otherwise, without the prior written permission of SEIKO EPSON CORPORATION. The information contained herein is designed only for use with this EPSON printer. EPSON is not responsible for any use of this information as applied to other printers.

Neither SEIKO EPSON CORPORATION nor its affiliates shall be liable to the purchaser of this product or third parties for damages, losses, costs, or expenses incurred by the purchaser or third parties as a result of: accident, misuse, or abuse of this product or unauthorized modifications, repairs, or alterations to this product, or (excluding the U.S.) failure to strictly comply with SEIKO EPSON CORPORATION's operating and maintenance instructions.

SEIKO EPSON CORPORATION shall not be liable for any damages or problems arising from the use of any options or any consumable products other than those designated as Original EPSON Products or EPSON Approved Products by SEIKO EPSON CORPORATION.

EPSON and EPSON ESC/P are registered trademarks and EPSON ESC/P2 is a trademark of SEIKO EPSON CORPORATION.

Microsoft, Windows, and Windows NT are registered trademarks of Microsoft Corporation.

IBM is a registered trademark of International Business Machines Corporation.

General Notice: Other product names used herein are for identification purposes only and may be trademarks of their respective owners. EPSON disclaims any and all rights in those marks.

Copyright © 2002 by SEIKO EPSON CORPORATION, Nagano, Japan.



Printed on Recycled Paper.

Reference Guide

Contents

Chapter 1 **Paper Handling**

Selecting a Paper Source	2
Paper source and paper types	2
Setting the paper release lever	3
Adjusting the Paper-Thickness Lever	3
Loading Continuous Paper	5
Positioning the continuous paper supply	5
Loading continuous paper with the tractor	6
Using the tear-off function	10
Loading Single Sheets	12
Loading Special Paper	14
Multipart forms	14
Labels	15
Switching Between Continuous Paper and Single Sheets	17
Switching to single sheets	17
Switching to continuous paper	18
Using the Micro Adjust Function	19
Adjusting the tear-off position	19
Adjusting the top-of-form position	20

Chapter 2 **Printer Software**

About Your Printer Software	24
Using the Printer Driver with Windows Me, 98, and 95	24
Accessing the printer driver from Windows applications	25
Accessing the printer driver from the Start menu	26
Changing the printer driver settings	27
Using the Printer Driver with Windows XP, 2000 and NT 4.0	28
Accessing the printer driver from Windows applications	28
Accessing the printer driver from the Start menu	30
Changing the printer driver settings	32
Printer Driver Settings Overview	33

Using EPSON Status Monitor 3 34
 Setting up EPSON Status Monitor 3 35
 Accessing EPSON Status Monitor 3 36

Chapter 3 Control Panel

Buttons and Lights 38
Selecting a Font 40
About Your Printer’s Default Settings 41
 Understanding default settings 41
 Changing default settings 47
Lock-Out Mode 49
 Turning on or off the lock-out mode 49
 Changing the lock-out mode setting 49

Chapter 4 Troubleshooting

Using the Error Indicators 52
Problems and Solutions 53
 Power supply problems 54
 Paper loading or feeding problems 55
 Printing position problems 60
 Printing or printout quality problems 62
Correcting USB Problems 68
Clearing a Paper Jam 71
Aligning Vertical Lines in Your Printout 72
Printing a Self Test 73
Printing Hex Dump 75
Contacting Customer Support 76

Chapter 5 Options and Consumables

Ribbon Cartridge 118
 Genuine EPSON ribbon cartridge 118
 Replacing the ribbon cartridge 118
Print Server 122

Appendix A Product Information

Safety Instructions	124
Warnings, cautions, and notes	124
Hot parts caution symbol	124
Important safety instructions	124
For United Kingdom users	126
Printer Parts	128
Printer Specifications	129
Mechanical.	129
Electronic	131
Electrical.	133
Environmental	133
Paper.	133
Printable area	142
Standards and Approvals.	143
Command Lists	144
EPSON ESC/P 2 control codes.	144
IBM PPDS Emulation Control Codes	145
Cleaning the Printer	146
Transporting the Printer.	147

Glossary

Index

Paper Handling

Selecting a Paper Source	2
Paper source and paper types	2
Setting the paper release lever	3
Adjusting the Paper-Thickness Lever	3
Loading Continuous Paper	5
Positioning the continuous paper supply	5
Loading continuous paper with the tractor	6
Using the tear-off function	10
Loading Single Sheets	12
Loading Special Paper	14
Multipart forms	14
Labels	15
Switching Between Continuous Paper and Single Sheets	17
Switching to single sheets	17
Switching to continuous paper	18
Using the Micro Adjust Function	19
Adjusting the tear-off position	19
Adjusting the top-of-form position	20

Selecting a Paper Source

Your printer can print on single sheets, continuous paper, multipart forms, and labels.



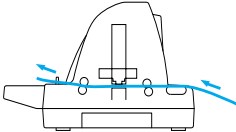
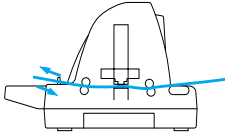
Caution:

Do not use paper that is folded, creased, curled, torn, stained, or stamped. Always use new, clean paper that meets the paper specifications. See "Paper" on page 133 for more detailed information.

Your printer can accommodate several paper types through two paper sources: paper guide or tractor. You should select the paper source depending on the type of paper you are using. You can select the paper source by setting the paper release lever. See "Printer Parts" on page 128 for more information.

Paper source and paper types



Basically, there are two paper types and two paper sources. The table below shows the relationship between paper sources and paper types, as well as paper loading and ejecting orientation.

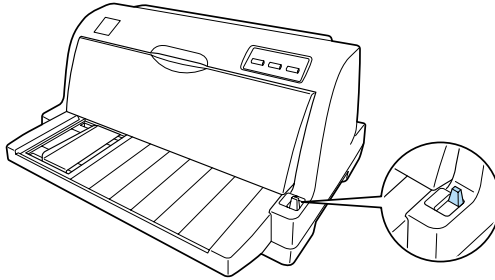
	Paper path	Paper source selection
Continuous paper *	Tractor 	Tractor
Single sheets **	Paper guide 	Manual feed

* Continuous paper includes labels and multipart forms.

** Single sheets include labels and single-sheet multipart forms.

Setting the paper release lever

Set the paper release lever to select the paper-feeding method you want the printer to use. The paper release lever has two positions:  for tractor feeding and  for single-sheet feeding, as explained below.



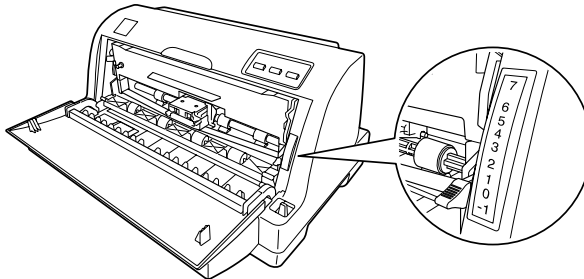
Single-sheet feeding position - to use the paper guide.



Tractor feeding position - to use the tractor.

Adjusting the Paper-Thickness Lever

You can get the best printing quality by adjusting the paper-thickness lever according to the thickness of the paper you are using.



The higher the number you set the paper-thickness lever to, the wider the space between the platen and print head. If your printout appears faint or characters seem skipped or missing, this setting may be too high. On the other hand, if the setting is too low, your printout may appear smudged, the paper may not feed correctly, or the ribbon may become damaged.

The following table provides guidelines for selecting the appropriate lever position for the type of paper you are using.

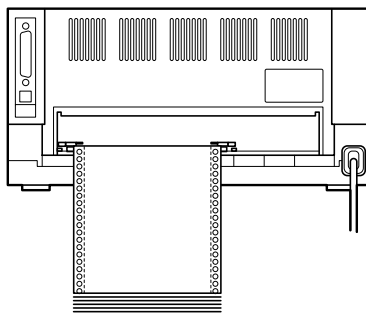
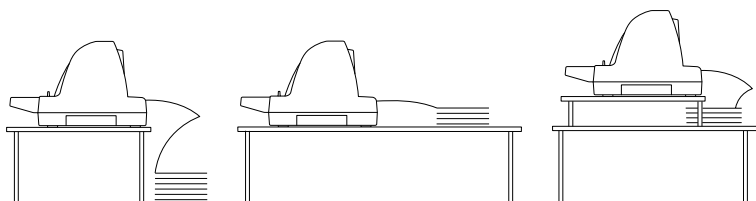
Paper type	Paper-thickness lever position
Ordinary paper (single sheets or continuous paper)	0
Multipart forms (carbonless)	
2 parts (original + 1 copy)	1
3 parts (original + 2 copies)	2
4 parts (original + 3 copies)	3
5 parts (original + 4 copies)	5
Labels	2

Loading Continuous Paper

Your printer can print on continuous paper from 101.6 to 254 mm (4.0 to 10.0 inches) wide. See “Continuous paper” on page 134 for detailed continuous paper specifications. You can load continuous paper from the tractor unit.

Positioning the continuous paper supply

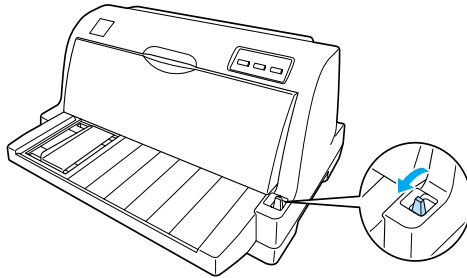
When you load continuous paper, make sure to line up the paper supply with the tractor so the paper feeds smoothly into the printer as shown below.



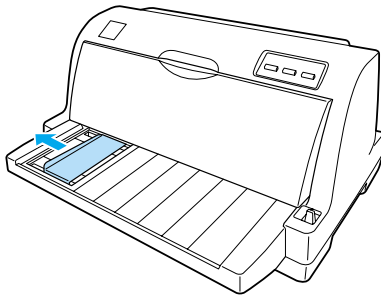
Loading continuous paper with the tractor

When using continuous paper, it is a good idea to set the Auto tear-off function in the default-setting mode to on. For more information, see “About Your Printer’s Default Settings” on page 41.

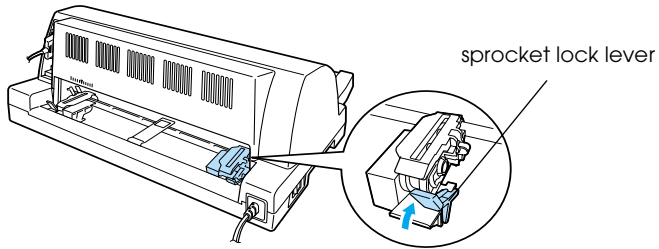
1. Make sure that the paper release lever is set to the tractor feeding position.



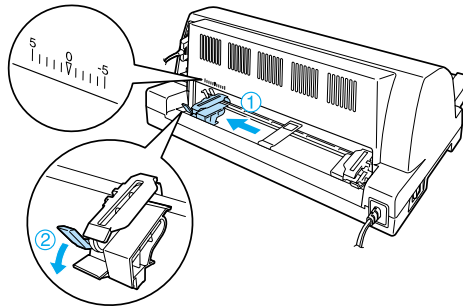
2. Slide the edge guide all the way to the left.



3. Facing the back of the printer, release the sprocket lock levers by pushing them up.

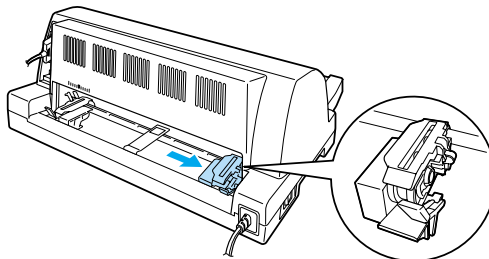


4. Position the left sprocket so that the sprocket pins are to the left of the arrow mark (0 position) on the back of the printer. Then push down the lock lever to lock the sprocket in place.

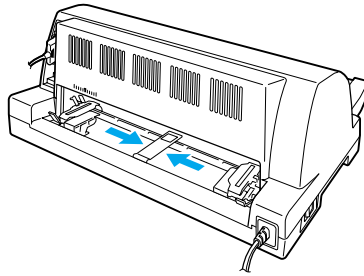


Note:
Printing starts at the arrow mark (0 position) on the back of the printer. The unprintable area is to the left of the arrow mark.

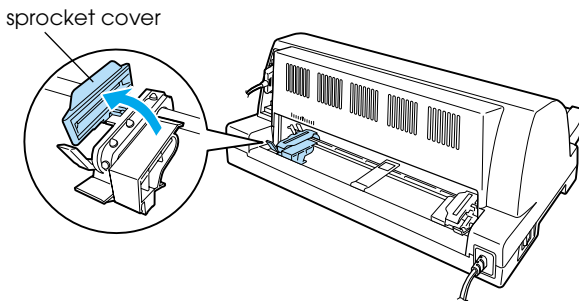
5. Slide the right sprocket to roughly match the width of your paper, but do not lock it.



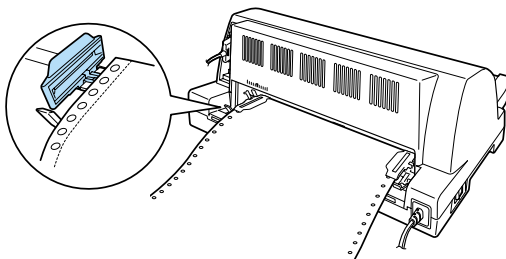
- Slide the center paper support to the middle of the two sprockets.



- Open the sprocket covers of the both sprockets.



- Fit the first two holes of the continuous paper over the sprocket pins on both sides. Be sure to position your paper supply so that the printable side faces up.

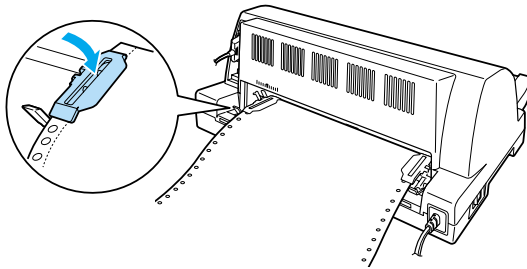




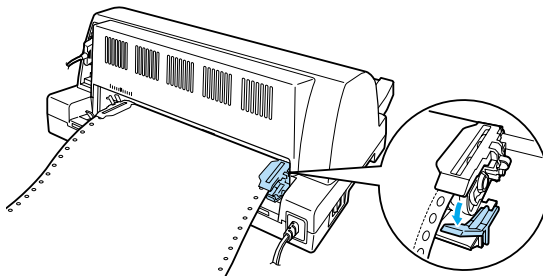
Caution:

Make sure the first sheet of your continuous paper has a clean, straight edge so that it can feed smoothly into the printer.

- 9. Close the sprocket covers.



- 10. Slide the right sprocket to remove any slack in the paper. Then push down the sprocket lock lever to lock the sprocket in place.



Note:

Before turning the printer on, install the ribbon cartridge. Otherwise, paper jams may occur.

- 11. Turn on the printer if it is turned off. The printer is ready to start printing.

Note:

- ❑ *Always make sure there is at least one more sheet than required; continuous paper may not feed properly if it is not fed through the sprockets.*
- ❑ *Do not pull the loaded paper out of the tractor unit while the printer is on. Doing so may cause paper jams or printer malfunctions, also the top-of-form position setting may become misadjusted.*
- ❑ *Do not pull out paper that is not ejected completely after pressing the Load/Eject button. Doing so may cause paper jams or printer malfunctions, also the top-of-form position setting may become misadjusted.*
- ❑ *If the first line on your page appears too high or low, you can change its position by using the Micro Adjust function as described in “Adjusting the top-of-form position” on page 20.*

Using the tear-off function

You can use the tear-off function to advance your continuous paper to the printer’s tear-off edge automatically when you finish printing. You can then easily tear off the printed sheets. When you resume printing, the printer automatically feeds the paper back to the top-of-form position so that you can save the paper normally lost between documents.

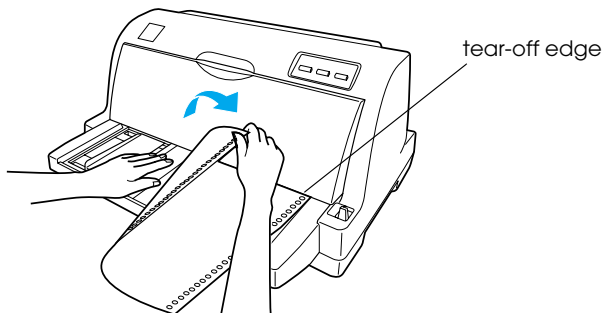
To use the tear-off function, turn on the Auto tear-off function and select the appropriate page length for continuous paper in the default-setting mode. See “Changing default settings” on page 47 for instructions on how to change the default settings.

If the perforation between pages is not aligned with the tear-off edge, you can adjust the position of the perforation using the Micro Adjust function. See “Adjusting the tear-off position” on page 19 for more information.

When Auto tear-off is on, the printer automatically advances the paper to the tear-off position whenever it receives a full page of data or a form feed command followed by no more data.

The steps below describe how to use Auto tear-off function.

1. When printing is finished, the printer advances the perforation of the final printed page to the tear-off position. Tear off all printed pages using the tear-off edge of the printer cover.



Note:

If your paper's perforation is not properly aligned with the tear-off edge, you can adjust the tear-off position using the Micro Adjust function as described in "Adjusting the tear-off position" on page 19.

2. When you resume printing, the printer feeds the paper back to the top-of-form position and begins printing.

Removing continuous paper

Follow these steps to remove continuous paper from the printer:

1. When the auto tear-off function is on, the printer advances the paper to the tear-off position automatically.
2. Tear off the printed pages.
3. Press the Load/Eject button to feed the continuous paper backward out of the printer and into the standby position.
4. To completely remove continuous paper from the printer, open the sprocket covers. Remove the paper from the tractor unit, and then close the sprocket covers.

Loading Single Sheets

Your printer can print on single sheets of paper from 90 to 257 mm (3.5 to 10.1 inches) wide. See “Single sheets” on page 134 for detailed single-sheet paper specifications.

Note:

If you load long paper (for example, legal size paper), leave enough space at the back of the printer so that the paper is not obstructed.

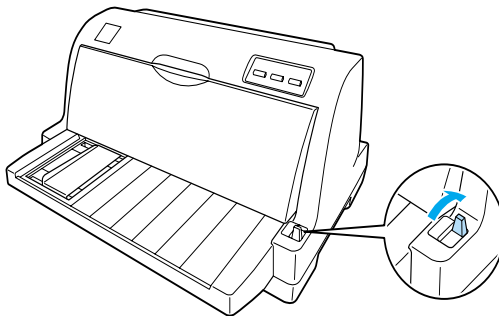
Follow these steps to load single sheets from the paper guide.

1. Make sure the paper guide and the ribbon cartridge are attached as described in the *Setup Sheet*. Then close the tractor unit sprocket covers located on the back of your printer and push down the sprocket lock levers to lock the sprockets in place.

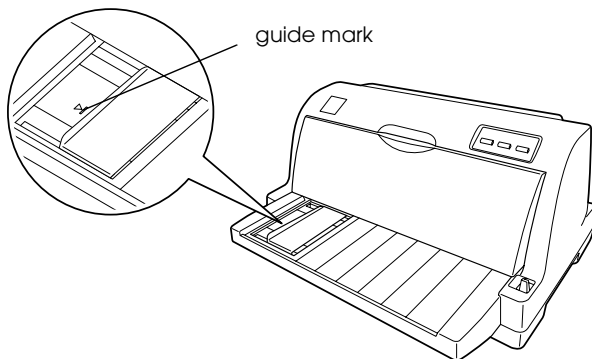
Note:

Before turning the printer on, install the ribbon cartridge. Otherwise, paper jams may occur.

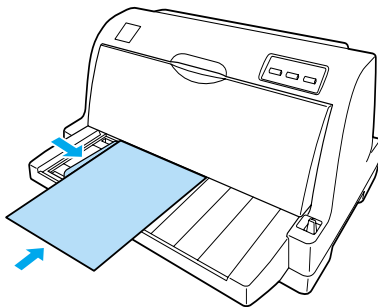
2. Turn on the printer.
3. Make sure that the paper release lever is set to the single-sheet feeding position.



- Slide the edge guide until it rests against the guide mark.



- While aligning the left side of a sheet of paper with the edge guide, insert it into the printer until it meets resistance. Be sure to load paper printable side up and the top of the paper first.



After a few seconds, the printer automatically advances the paper to the loading position. The printer is ready to start printing.

Note:

- ❑ *If the paper feed roller rotates but the printer does not load the paper, completely remove the paper and then insert it all the way into the printer again.*
- ❑ *If the paper feeds before you can adjust its position properly, increase the Manual feed wait time in the default-setting mode. See “Changing default settings” on page 47 for more information.*

- ❑ *If you need to adjust the position of the paper after it is loaded, see “Adjusting the top-of-form position” on page 20 and follow the instructions.*
- ❑ *Do not pull out paper that is not ejected completely after pressing the Load/Eject button. Doing so may cause paper jams or printer malfunctions, also the top-of-form position setting may become misadjusted.*

After printing a sheet, the printer ejects it onto the paper guide and the Paper Out and Pause lights come on. If you are printing a multiple-page document, remove the printed sheet and insert a new sheet into the paper guide. The printer automatically advances the paper and resumes printing.

Note:

If the printer does not eject the printed sheet, press the Load/Eject button.

Loading Special Paper

Multipart forms

Your printer can print on both single-sheet and continuous multipart forms. It can use multipart forms with up to five parts including the original.



Caution:

- ❑ *Use only carbonless or carbon-backed multipart forms.*
- ❑ *When using multipart forms with a line of glue at the top of the form, load the forms with the glued side first.*

Before printing, set the paper-thickness lever to the appropriate position for your multipart forms referring to the table in “Adjusting the Paper-Thickness Lever” on page 3.

You can load single-sheet multipart forms from the paper guide. For instructions, see “Loading Single Sheets” on page 12. You can load continuous multipart forms in the same way as you load ordinary continuous paper. For instructions, see “Loading Continuous Paper” on page 5.



Caution:

When printing on multipart forms, make sure that your software settings keep the printing entirely within the printable area of the forms. Printing on the edge of a multipart form can damage the print head. For information about the printable area, see “Printable area” on page 142.

Labels

You can use two types of labels: single-sheet and continuous forms. Do not use labels on shiny single-sheet backing, because the backing sheet tends to slip and may not feed properly.

Follow these steps to load labels:



Caution:

Use labels only under normal operating conditions because labels are especially sensitive to temperature and humidity.

1. Make sure of the following:

- Your software settings keep the printing entirely within the printable area. For information about the printable area, see “Printable area” on page 142.



Caution:

Printing on the edge of a label can damage the print head.

- The auto tear-off function is turned off in the default-setting mode.
2. Load labels as described in “Loading Single Sheets” on page 12 or “Loading Continuous Paper” on page 5.

To tear off and eject labels

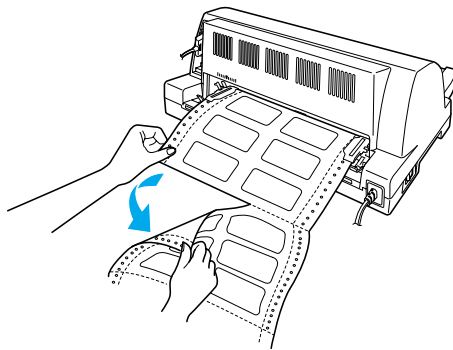
When using continuous forms, always tear off and eject labels as described below.



Caution:

Never feed labels backward using the Load/Eject button. Labels can easily peel off their backing and jam the printer.

1. At the back of your printer, tear off the last label form that has entered the printer. See the illustration below.



2. Press the LF/FF button to eject the last label form forward.



Caution:

Do not leave labels loaded in the printer between print jobs; they tend to curl and may come off their backing sheet and jam the printer when you resume printing.

Switching Between Continuous Paper and Single Sheets

You can easily switch between continuous paper and single sheets without removing the continuous paper from the tractor.

Switching to single sheets

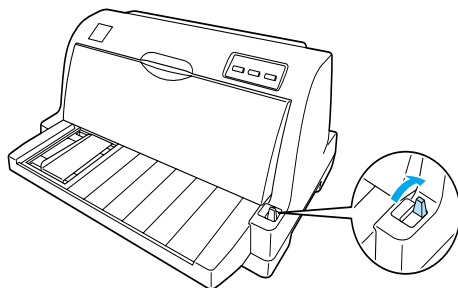
Follow these steps to switch from continuous paper to single sheets:

1. When the Auto tear-off function is turned on, the printer advances the paper to the tear-off position automatically.
2. Tear off the printed pages.



Caution:

- ❑ *Always tear off paper before feeding it backwards; feeding too many sheets backwards can cause a paper jam.*
 - ❑ *Never feed labels backward using the Load/Eject button. Labels can easily peel off their backing and jam the printer. For information on removing labels from the paper path, see "To tear off and eject labels" on page 16.*
3. Press the Load/Eject button to feed the continuous paper back to the standby position. The paper is still attached to the tractor, but is no longer in the paper path.
 4. Set the paper release lever to the single-sheet feeding position.

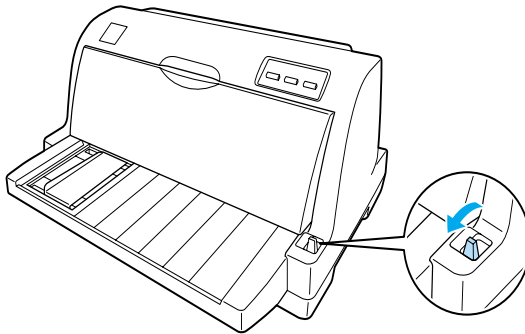


Now you can load single sheets from the paper guide. See "Loading Single Sheets" on page 12 for more information.

Switching to continuous paper

Follow these steps to switch from single sheets to continuous paper:

1. If necessary, press the Load/Eject button to eject the last printed single sheet.
2. Make sure continuous paper is loaded in the printer as described in "Loading continuous paper with the tractor" on page 6.
3. Set the paper release lever to the tractor feeding position.



The printer automatically advances the continuous paper from the standby position to the loading position when it receives data.

Using the Micro Adjust Function

The Micro Adjust function allows you to move the paper forward or backward in 0.141 mm (1/180-inch) increments so that you can make precise adjustments to the top-of-form and tear-off positions.

Adjusting the tear-off position

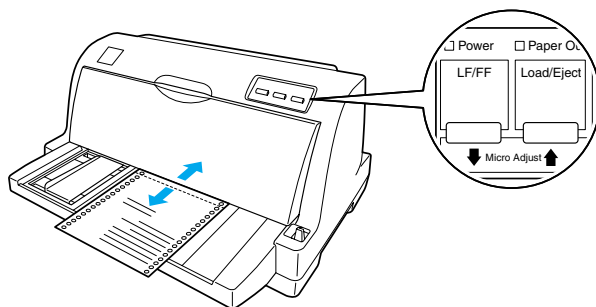
If your paper perforation is not aligned with the tear-off edge, you can use the Micro Adjust function to move the perforation to the tear-off position.

Follow these steps to adjust the tear-off position:

Note:

Your tear-off position setting remains in effect until you change it, even if you turn off the printer.

1. Make sure the paper is at the current tear-off position.
2. Hold down the PAUSE button for about three seconds. The PAUSE light begins flashing and the printer enters the Micro Adjust mode.
3. Press the LF/FF \blacktriangledown button to feed paper forward, or press the Load/Eject \blacktriangleup button to feed paper backward, until the paper perforation is aligned with the tear-off edge of the printer cover.



Note:

The printer has a minimum and a maximum tear-off position. If you try to adjust the tear-off position beyond these limits, the printer beeps and stops moving the paper.

4. Tear off the printed pages.
5. Press the PAUSE button to exit the Micro Adjust mode.

When you resume printing, the printer automatically feeds the paper back to the top-of-form position and begins printing.

Adjusting the top-of-form position


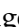
The top-of-form position is the position on the page where the printer starts printing. If your printing appears too high or low on the page, you can use the Micro Adjust function to adjust the top-of-form position.

Follow these steps to adjust the top-of-form position:

Note:

- ❑ *Your top-of-form position setting remains in effect until you change it, even if you turn off the printer.*
- ❑ *The top margin setting made in some application software overrides the top-of-form position setting you make with the Micro Adjust function. If necessary, adjust the top-of-form position in your software.*

1. Make sure the printer is turned on.
2. Press the PAUSE button to stop printing. The PAUSE light comes on.
3. Load paper. Press the LOAD/EJECT button to advance continuous paper to the current top-of-form position. If necessary, lift up the printer cover so you can see the paper position.

4. Hold down the **PAUSE** button for about three seconds. The **PAUSE** light starts flashing and the printer enters the **Micro Adjust** mode.
5. Press the **LF/FF**  button to move the top-of-form position down on the page, or press the **LOAD/EJECT**  button to move the top-of-form position up on the page.

Note:

- The printer has a minimum and a maximum top-of-form position. If you try to adjust it beyond these limits, the printer beeps and stops moving the paper.*
 - When the paper reaches the default top-of-form position, the printer also beeps and stops moving the paper briefly. You can use the default setting as a reference point when adjusting the top-of-form position.*
6. After you set the top-of-form position, press the **PAUSE** button to exit the **Micro Adjust** mode.

Printer Software



About Your Printer Software 24

Using the Printer Driver with Windows Me, 98, and 95 24

 Accessing the printer driver from Windows applications . . . 25

 Accessing the printer driver from the Start menu 26

 Changing the printer driver settings 27

Using the Printer Driver with Windows XP, 2000 and NT 4.0 . . . 28

 Accessing the printer driver from Windows applications . . . 28

 Accessing the printer driver from the Start menu 30

 Changing the printer driver settings 32

Printer Driver Settings Overview 33

Using EPSON Status Monitor 3 34

 Setting up EPSON Status Monitor 3 35

 Accessing EPSON Status Monitor 3 36

About Your Printer Software

The EPSON printer software that comes with your printer includes the printer driver software and EPSON Status Monitor 3.

The printer driver is software that allows your computer to control the printer. You need to install the printer driver so your Windows software applications can take full advantage of the printer's capabilities.

EPSON Status Monitor 3 allows you to monitor the status of your printer, alerts you when errors occur, and provides you with troubleshooting tips. EPSON Status Monitor 3 is automatically installed when you install the printer driver.

Note:

- ❑ *Before proceeding, make sure you have installed the printer driver on your computer as described in the Setup Sheet.*
- ❑ *Only LQ-630 is displayed as the printer name in the printer driver, even if the printer is an LQ-630S model. Select LQ-630 when installing or using the printer driver, even if the printer being installed or used is an LQ-630S.*

Using the Printer Driver with Windows Me, 98, and 95

You can access the printer driver from your Windows applications or from the Start menu.

- ❑ When you access the printer driver from a Windows application, any settings you make apply only to the application you are using. See "Accessing the printer driver from Windows applications" on page 25 for more information.

- ❑ When you access the printer driver from the Start menu, the printer driver settings you make apply to all your applications. See “Accessing the printer driver from the Start menu” on page 26 for more information.

See “Changing the printer driver settings” on page 27 to check and change printer driver settings.

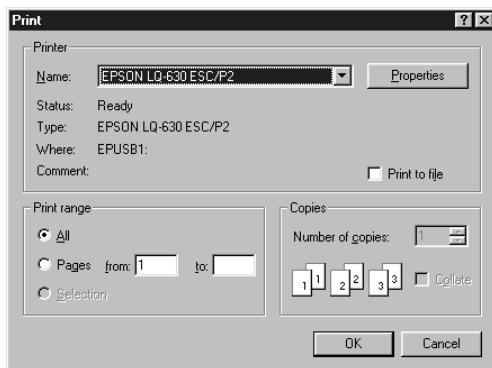
Note:

While many Windows applications override the settings made with the printer driver, some do not, so you must verify that the printer driver settings match your requirements.

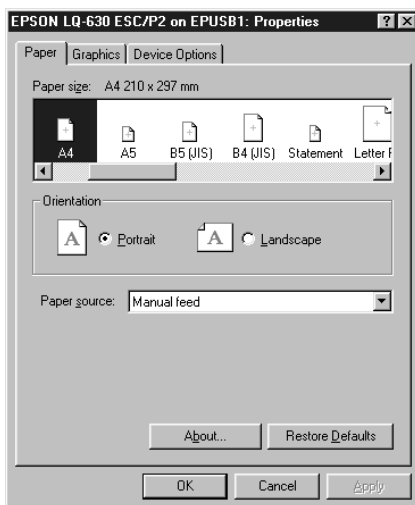
Accessing the printer driver from Windows applications

Follow these steps to access the printer driver from a Windows application:

1. Select Print Setup or Print from the File menu of your application software. The Print or Print Setup dialog box appears.



2. Make sure that your printer is selected and then click Printer, Setup, Properties, or Options. (You may need to click a combination of these buttons.) The Properties window appears, and you see the Paper, Graphics, and Device Options menu. These menus contain the printer driver settings.



3. To view a menu, click the corresponding tab at the top of the window. See “Changing the printer driver settings” on page 27 to change the settings.

Accessing the printer driver from the Start menu

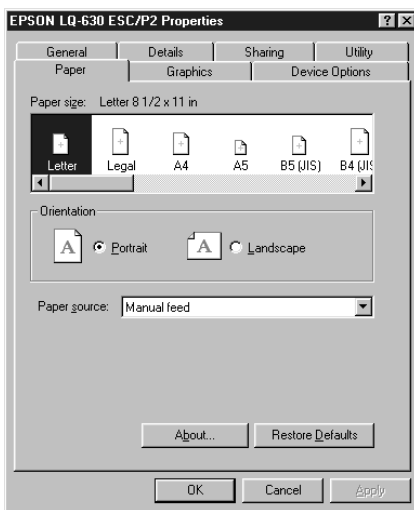
Follow these steps to access the printer driver from the Start menu:

1. Click Start, then point to Settings.
2. Click Printers.
3. Right-click your printer icon, and click Properties. The screen displays the Properties dialog box, which contains the Paper, Graphics, Device Options, and Utility menus. These menus display the printer driver settings.

4. To view a menu, click the corresponding tab at the top of the window. See “Changing the printer driver settings” on page 27 to change the settings.

Changing the printer driver settings

You can change the printer driver settings from the printer’s Properties dialog box. For an overview of the available settings, see “Printer Driver Settings Overview” on page 33. You can also view online help by right-clicking items in the driver and selecting What’s this?



When you finish making printer driver settings, click OK to apply the settings, or click Restore Defaults to return the settings to their default values.

Once you have checked your printer driver settings and made any necessary changes, you are ready to print.

Using the Printer Driver with Windows XP, 2000 and NT 4.0

You can access the printer driver from your Windows applications or from the Start menu.

- ❑ When you access the printer driver from a Windows application, any settings you make apply only to the application you are using. See “Accessing the printer driver from Windows applications” on page 28 for more information.
- ❑ When you access the printer driver from the Start menu, the printer driver settings you make apply to all your applications. See “Accessing the printer driver from the Start menu” on page 30 for more information.

To check and change printer driver settings, see “Changing the printer driver settings” on page 32.

Note:

While many Windows applications override the settings made with the printer driver, some do not, so you must verify that the printer driver settings match your requirements.

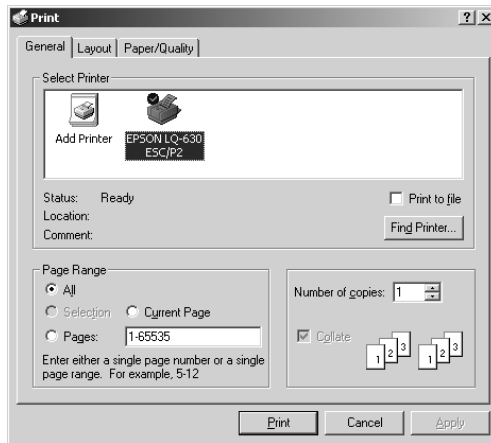
Accessing the printer driver from Windows applications

Follow these steps to access the printer driver from a Windows application:

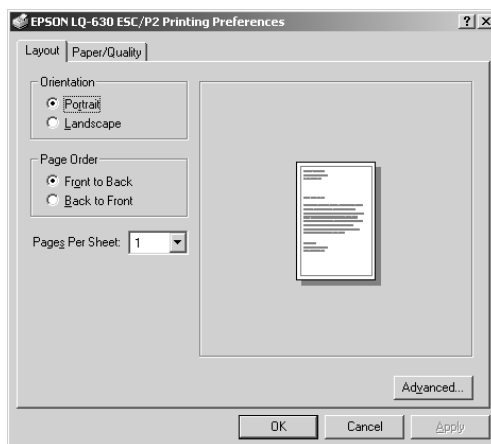
Note:

The examples in the following section are from the Windows 2000 operating system. They may vary in appearance from what actually appears on your screen.

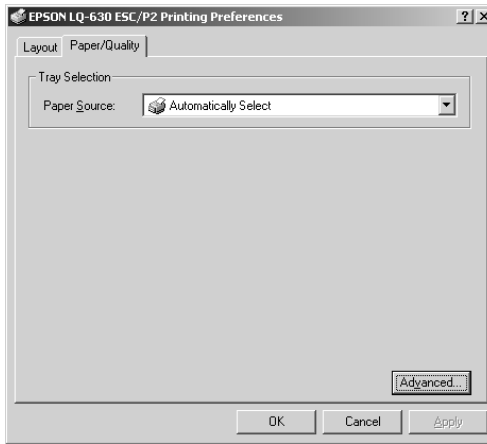
1. Select Print Setup or Print from the File menu of your application software. The Print or Print Setup dialog box appears.



2. Make sure that your printer is selected and then right-click your printer icon and select Printing Preferences (Windows XP or 2000) or click Printer, Setup, Properties, or Options (Windows NT 4.0). (You may need to click a combination of these buttons.) The Document Properties dialog box, which contains the Layout and Paper/Quality menus (Windows XP or 2000), or the Page Setup and Advanced menus (Windows NT 4.0) appears. These menus contain the printer driver settings.



3. To view a menu, click the corresponding tab at the top of the window. See “Changing the printer driver settings” on page 32 to change the settings.



Accessing the printer driver from the Start menu

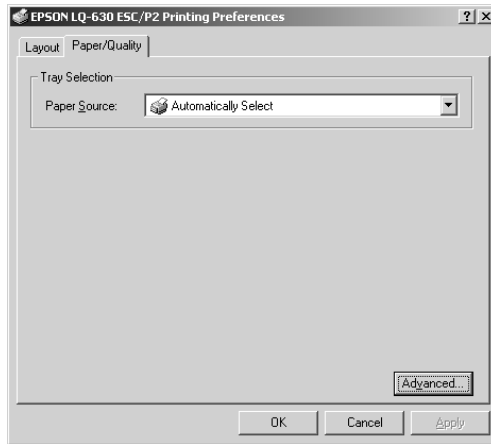
Follow these steps to access the printer driver from the Start menu:

Note:

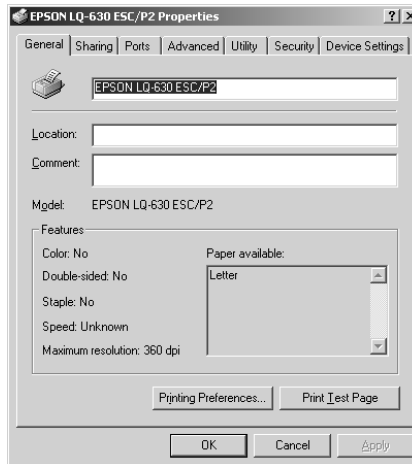
The screen shots used in this procedure are from the Windows 2000 operating system. They may vary in appearance from what actually appears on your screen.

1. For Windows 2000 or NT 4.0, click Start, point to Settings, then click Printers. For Windows XP Professional edition, click Start and then click Printers and Faxes. For Windows XP Home edition, point to Control Panel first, then click Printers and Faxes.

- Right-click your printer icon, and click Printing Preferences (for Windows XP or 2000), Document Defaults (for Windows NT 4.0). The Printing Preferences dialog box or the Document Properties dialog box, which contains the Layout and Paper/Quality menus (Windows XP or 2000) or the Page Setup and Advanced menus (Windows NT 4.0) appears. These menus display the printer driver settings.



When you click Properties, the printer software window appears, which includes menus used to make the printer driver settings.



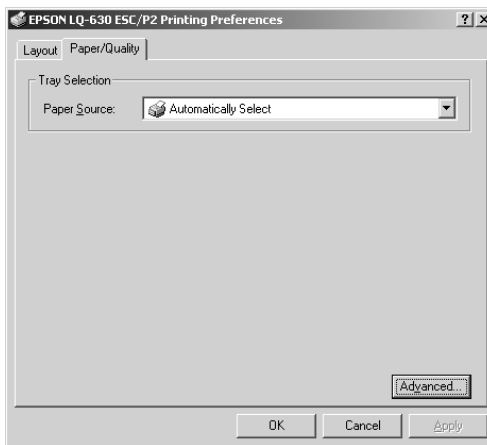
3. To view a menu, click the corresponding tab at the top of the window. See “Changing the printer driver settings” on page 32 to change the settings.

Changing the printer driver settings

Your printer driver has two menus from which you can change the printer driver settings: Layout menu and Paper/Quality menu (Windows XP or 2000) or Page Setup menu and Advanced menu (Windows NT 4.0). You can also change settings on the Utility menu in the printer software. For an overview of the available settings, see “Printer Driver Settings Overview” on page 33. You can also view online help by right-clicking items in the driver and selecting What’s this?

When you finish making your printer driver settings, click OK to apply the settings, or click Cancel to cancel your changes.

Once you have checked your printer driver settings and changed them if necessary, you are ready to print.



Printer Driver Settings Overview

The following tables show the Windows printer driver settings. Note that not every setting is available in all versions of Windows.

2

Printer settings

Settings	Explanations
Paper size	Select the size of the paper you want to use. If you do not see your paper size, use the scroll bar to scroll through the list. If your paper size is not included in the list, click Custom or User Defined Size and enter the paper size in the dialog box that appears.
Orientation	Select Portrait or Landscape.
Paper Source	Select the paper source you want to use.
Resolution/ Graphics Resolution	Select the printing resolution you want. The higher the resolution you select, the more detailed your printout will be; however, increasing the resolution slows printing.
Dithering	You can leave this option set to Fine, which is the default setting, or select another dithering pattern depending on the kind of printout you want.
Intensity/ Intensity Control	Move the slider to make your printout lighter or darker.
Print quality	Select a print quality option from the Print quality list. If you turn on Hi-speed, you will enter bi-directional printing mode and printing speed will increase. Turning Hi-speed off will return the printer to uni-directional printing mode. Printing speed will decrease, but printing precision will improve. Printing with the default settings uses the settings stored in the printer.
EPSON Status Monitor 3	You can access EPSON Status Monitor 3 when you click this button. To monitor the printer, make sure the Monitor the printing status check box is selected.
Monitoring Preferences	Click this button to open the Monitoring Preferences dialog box where you can make settings for EPSON Status Monitor 3.
Paper/ Output	Check the Paper Size, Orientation, and Paper Source settings you made on the Page Setup menu and change them if necessary. Select the setting and then choose an option from the Change Setting list box.

Settings	Explanations
Halftone	Click this button to set the brightness and contrast, input the RGB gamma, or make other settings. The Halftone Color Adjustment dialog box appears. For details, click Help in this dialog box.

Monitoring settings

Settings	Explanations
EPSON Status Monitor 3	You can access EPSON Status Monitor 3 when you click this button. To monitor the printer, make sure the Monitor the printing status check box is selected.
Monitoring Preferences	Click this button to open the Monitoring Preferences dialog box where you can make settings for EPSON Status Monitor 3. See "Setting up EPSON Status Monitor 3" on page 35 for more information.

Using EPSON Status Monitor 3

EPSON Status Monitor 3 that comes with your printer is available for Windows Me, 98, 95, XP, 2000 or NT 4.0. It allows you to monitor your printer's status, alerts you when printer errors occur, and provides troubleshooting instructions when needed.

EPSON Status Monitor 3 is available only when:

- The printer is connected directly to the host computer via the parallel port [LPT1] or the USB port.
- Your system is configured to support bidirectional communication.

EPSON Status Monitor 3 is installed when you install the printer driver as described in the *Setup Sheet*.

Note:

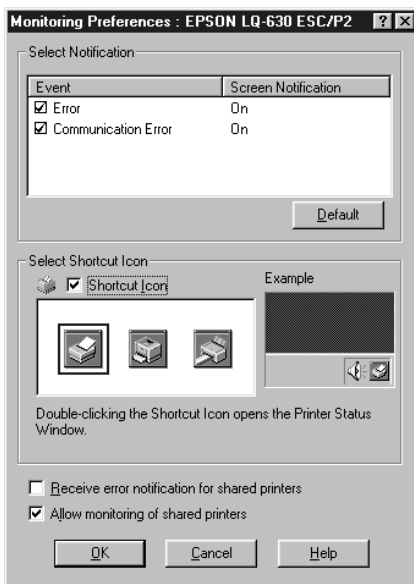
If you install the driver using Add Printer in the Printers folder, or using the “Point and Print” method, EPSON Status Monitor 3 may not function properly. If you want to use EPSON Status Monitor 3, reinstall the driver as described in the Setup Sheet.

Before using EPSON Status Monitor 3, be sure to read the README file on the driver disk. This file contains the latest information on the utility.

Setting up EPSON Status Monitor 3

Follow these steps to set up EPSON Status Monitor 3:

1. Open the Utility menu as described in “Using the Printer Driver with Windows Me, 98, and 95” on page 24 or “Using the Printer Driver with Windows XP, 2000 and NT 4.0” on page 28.
2. Click Monitoring Preferences. The Monitoring Preferences dialog box appears.



3. The following settings are available:

Select Notification	Displays the error item check box ON/OFF status. Clear this check box to do not display the error notification.
Select Shortcut icon	The selected icon is displayed in the system tray on the taskbar on the computer screen. The setting's example is shown on the right window. By clicking the shortcut icon, you can access EPSON Status Monitor 3 easily.
Receive error notification for shared printers	Error notification for a shared printer can be received when this check box is selected.
Allow monitoring of shared printer	When this check box is selected, a shared printer can be monitored by other PCs.

Note:

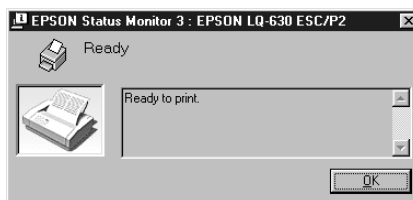
Click Default to revert all items to the default settings.

Accessing EPSON Status Monitor 3

Do one of the following to access EPSON Status Monitor 3:

- ❑ Double-click the printer-shaped shortcut icon on the taskbar. To add a shortcut icon to the taskbar, go to the Utility menu and follow the instructions.
- ❑ Open the Utility menu, then click the EPSON Status Monitor 3 icon. To find out how to open the Utility menu, See "Using the Printer Driver with Windows Me, 98, and 95" on page 24 or "Using the Printer Driver with Windows XP, 2000 and NT 4.0" on page 28.

When you access EPSON Status Monitor 3 as described above, the following printer status dialog box appears.



You can view printer status information in this window.

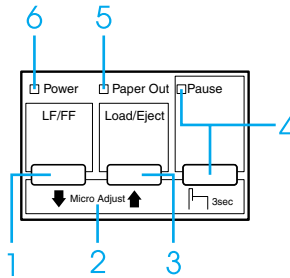
Chapter 3

Control Panel

Buttons and Lights	38
Selecting a Font	40
About Your Printer's Default Settings	41
Understanding default settings	41
Changing default settings	47
Lock-Out Mode	49
Turning on or off the lock-out mode	49
Changing the lock-out mode setting	49



Buttons and Lights



1 LF/FF button

- ❑ Feeds paper line by line when pressed shortly.
- ❑ Ejects a single sheet or advances continuous paper to the next top-of-form position when held down for a few seconds.

2 Micro Adjust

When you hold down the PAUSE button for three seconds, the printer enters the Micro Adjust mode. In this mode, you can adjust the top-of-form and tear-off positions by pressing the LF/FF↓ and Load/Eject↑ buttons. See “Using the Micro Adjust Function” on page 19.

3 Load/Eject button

- ❑ Loads a single sheet of paper.
- ❑ Ejects a single sheet of paper if a sheet is loaded.
- ❑ Loads continuous paper from the standby position.
- ❑ Feeds continuous paper backward to the standby position if a sheet is loaded.

- 4 Pause button
- Stops printing temporarily, and resumes printing when pressed again.
 - When held down for three seconds, enters the Micro Adjust mode. When pressed again, exits the Micro Adjust mode.
- Pause light
- On when the printer is paused.
 - Flashes when the printer is in the Micro Adjust mode.
- 5 Paper out light
- On when no paper is loaded in the selected paper source or paper is not loaded correctly.
 - Flashes when paper has not been fully ejected.
- 6 Power light
- On when the printer turns on.
 - Flashes when a fatal error occurs.

Selecting a Font

You can select the printer's fonts, pitch, and size by using the default-setting mode. See "Changing default settings" on page 47 for instructions on how to change the default settings.

Note:

- ❑ *The available pitch or size depends on the font you select. See the table below for more information.*

Bitmap font

Font	Pitch
Draft	10, 12, 15
Roman	10, 12, 15, PS
Sans Serif	10, 12, 15, PS
Courier	10, 12, 15
Prestige	10, 12
Script	10
OCR-B	10
Orator	10
Orator-S	10
Script C	Proportional

Scalable font

Font	Size
Roman	10.5 pt, 8 pt to 32 pt (every 2 pt)
Sans Serif	10.5 pt, 8 pt to 32 pt (every 2 pt)
Roman T	10.5 pt, 8 pt to 32 pt (every 2 pt)
Sans Serif H	10.5 pt, 8 pt to 32 pt (every 2 pt)

- ❑ *Settings you make in application programs usually override settings you make in the default-setting mode. For best results, use your application to select a font and make other settings.*

About Your Printer's Default Settings

The default settings control many printer functions. While you can often set these functions through your software or printer driver, you may sometimes need to change a default setting from the printer's control panel using the default-setting mode.

For a detailed description of the settings you can change in the default-setting mode, see "Understanding default settings" on page 41. For instructions on changing the settings, see "Changing default settings" on page 47.

3

Understanding default settings

This section describes the settings and options available in the default-setting mode. These settings are shown in the following table and explained in detail after the table.

To access and change a setting, see "Changing default settings" on page 47.

Default-setting mode

Setting	Options (default in bold)
Page length for tractor	Length in inches: 3, 3.5, 4, 5.5, 6, 7, 8, 8.5, 11 , 70/6, 12, 14, 17
Skip over perforation	Off , On
Auto tear-off	Off , On
Auto line feed	Off , On
Print direction	Bi-D , Uni-D, Auto
Software	ESC/P2 , IBM PPDS
0 slash	0 , Ø (the zero character with a slash)
High speed draft	Off, On
I/F (interface) mode	Auto , Parallel,* Serial,** USB
Auto I/F (interface) wait time	10 seconds , 30 seconds
Parallel I/F (interface) bidirectional mode*	Off, On

Setting	Options (default in bold)
Baud rate**	19200BPS , 9600BPS, 4800BPS, 2400BPS, 1200BPS, 600BPS, 300BPS
Parity**	None , Odd, Even, Ignore
Data length**	8bit , 7bit
Packet mode	Auto , Off
Auto CR (carriage return)*	Off , On
A.G.M***	Off , On
Character table	Standard model: italic, PC437 , PC850, PC860, PC863, PC865, PC861, BRASCII, Abicomp, Roman8, ISO Latin 1, PC858, ISO 8859-15 All other models: Italic, PC437 , PC850, PC437 Greek, PC853, PC855, PC852, PC857, PC864, PC866, PC869, MAZOWIA, Code MJK, ISO 8859-7, ISO Latin 1T, Bulgaria, PC 774, Estonia, ISO 8859-2, PC 866 LAT., PC 866UKR, PC APTEC, PC708, PC720, PCAR 864, PC860, PC865, PC861, PC863, BRASCII, Abicomp, Roman8, ISO Latin 1, PC858, ISO8859-15, PC 771
International character set for italic table****	Italic U.S.A. , Italic France, Italic Germany, Italic U.K., Italic Denmark 1, Italic Sweden, Italic Italy, Italic Spain 1
Pitch	10 cpi , 12 cpi, 15 cpi, 17 cpi, Proportional
Font	Draft, Roman , Sans Serif, Courier, Prestige, Script, OCR-B, Orator, Orator-S, Script C, Roman T, Sans Serif H
Manual feed wait time	0.5 second, 1 second , 1.5 seconds, 2 seconds
Buzzer	Off, On
Multipart forms with cut-paper tab binding	Off , On

* For LQ-630 only

** For LQ-630S Only

*** This setting is available only in IBM PPDS emulation mode.

**** The options available for this setting vary depending on the country.

Page length for tractor

This setting allows you to set the page length (in inches) for the continuous paper loaded on the tractor.

Skip over perforation

This feature is available only when continuous paper is selected as the paper source. When you turn on this feature, the printer provides a one-inch (25.4 mm) margin between the last line printed on one page and the first line printed on the next page. Because most application program margin settings override margin settings from the control panel, you should use this setting only if you cannot set your top and bottom margins using your application.

Auto tear-off

When auto tear-off is on and you are using continuous paper, the printer automatically advances the paper perforation to the tear-off position, where you can easily tear off the printed page(s). When the printer receives data again, it automatically moves the paper back to the top-of-form position and starts printing, so you can use all of the next page. When using continuous paper, it is a good idea to set the Auto tear-off function.

Auto line feed

When auto line feed is on, the printer accompanies each carriage return (CR) code received with a line feed (LF) code.

Print direction

You can select auto print direction, bidirectional printing (Bi-D), or unidirectional printing (Uni-D). Printing is normally bidirectional; however, unidirectional printing allows for precise vertical printing alignment.

Software

When you select ESC/P2, the printer operates in the EPSON ESC/P2 mode. When you select IBM PPDS, the printer emulates an IBM printer.

O slash

Select the zero character with a slash (0) (this feature is on) or without a slash (0) (this feature is off). The slash allows you to easily distinguish between the uppercase letter “O” and a zero.

High speed draft

When high speed draft is on, the printer prints up to 300 cps (characters per second) at 10 cpi (characters per inch), or 360 cps at 12 cpi. When it is off, the printer prints 225 cps at 10 cpi, or 270 cps at 12 cpi.

I/F (interface) mode

For LQ-630 users, you can choose AUTO (automatic), Parallel, or USB for the interface mode. For LQ-630S users, you can choose AUTO (automatic), Serial, or USB for the interface mode. When you select Auto, the printer automatically selects the interface that is receiving data, and uses that interface until the end of the print job. The Auto setting allows you to share the printer among multiple computers without changing the interface mode.

If only one computer is connected to the printer, you can select Parallel, Serial or USB, depending on which interface your computer uses.

Auto I/F (interface) wait time

When the printer is in the auto interface mode and it receives no data from the currently selected interface for the amount of time specified with this setting, it determines which interface is receiving data and switches to that interface. You can specify either 10 seconds or 30 seconds for the auto interface wait time.

Parallel I/F (interface) bidirectional mode (For LQ-630 only)

The Parallel Interface bidirectional transfer mode is used when this feature is on. If bidirectional transfer mode is unnecessary, turn this off.

Baud rate (For LQ-630S only)

Use this option to set the data transfer rate (baud) for the serial interface. The baud rate is measured in bits per second (bps). See your computer manual and software documentation for the proper setting.

Parity (For LQ-630S only)

When this option is set to *None*, parity checking is disabled. The parity bit, if used, provides a basic form of error detection. See your computer manual and software documentation for the proper setting.

Data length (For LQ-630S only)

Set the data length of the serial interface to 7 bit or 8 bit. See your computer manual and software documentation for the proper setting.

Packet mode

Be sure to select *Auto* when printing from Windows applications using the printer driver included in the CD-ROM that comes with the printer. In case you encounter any communication troubles when printing from applications based on other operating systems such as DOS, turn off this mode.

Auto CR (carriage return)

This setting is available only in IBM PPDS emulation mode. When auto carriage return is on, each line feed (LF) code or ESC J code is accompanied by a carriage return (CR) code so the printer moves the next printing position to the left margin. When this setting is off, you must send a CR code after the line feed code to move the printing position to the left margin.

A.G.M. (IBM)

Turn on the alternate graphic mode (A.G.M.) to make the ESC 3, ESC A, ESC J, ESC K, ESC L, ESC Y, ESC Z, and ESC * commands in IBM PPDS emulation mode work the same way as in ESC/P 2 mode.

The A.G.M. feature is available only in IBM PPDS emulation mode.

Character table

You can select from among 13 to 36 standard character tables, depending on the country of purchase. See “Default-setting mode” on page 41 for more information.

International character set for italic table

You can select among several international character sets for the italic character table. Each character set contains eight characters that vary depending on the country or language, so you can customize the italic table to suit your printing needs.

Pitch

You can select the character pitch from 10 cpi, 12 cpi, 15 cpi, 17 cpi, 20 cpi or Proportional.

Font

You can select the following fonts: Draft, Roman, Sans Serif, Courier, Prestige, Script, OCR-B, Orator, Orator-S, Script C, Roman T, and Sans Serif H.

Manual feed wait time

This setting allows you to set the amount of wait time between when paper is inserted into the paper guide and it is fed. If the paper feeds before you can adjust its position properly, you should increase the wait time.

Buzzer (beeper)

The printer beeps when an error occurs. See “Using the Error Indicators” on page 52 for more information on printer errors. If you do not want the printer to beep when an error occurs, turn off this setting.

Multipart forms with cut-paper tab binding

When using multipart forms with cut-paper tab bindings that are 4 inches or wider but less than 9.4 inches wide, turn on this setting. When this setting is on, the print head avoids the binding area along the right and left edges of multipart forms during paper feeding. This makes paper feeding easier and prevents paper jams.

Changing default settings

Follow these steps to enter the default-setting mode and change the printer's default settings:

Note:

- ❑ *To print the language selection and default-setting mode instructions, you need five sheets of A4 or letter size single-sheet paper or five pages of continuous paper that is at least 279 mm (11 inches) long and 210 mm (8.3 inches) wide. See "Loading Continuous Paper" on page 5 and "Loading Single Sheets" on page 12 for instructions on loading continuous paper and single sheets.*
 - ❑ *If you use single sheets, you need to load a new sheet of paper each time the printer ejects a printed sheet from the paper guide.*
1. When using continuous paper, make sure paper is loaded and the printer is turned off.



Caution:

Whenever you turn off the printer, wait at least five seconds before turning it back on; otherwise, you may damage the printer.

2. Turn on the printer while holding down the Load/Eject and Pause buttons.

The printer enters the default-setting mode. When using continuous paper, the printer prints the language selection instructions (one page).

3. When using single-sheet paper, load paper to the printer. The printer prints the language selection instructions (one page).
4. Press the LF/FF button several times until the Power, Paper Out and Pause lights indicate the language you want, as described in the language selection instructions.

5. Press the **LOAD/EJECT** button to print the default-setting mode instructions (four pages) in the language you selected.

The printed instructions list the settings you can change, describe how to change them, and show you how the control panel lights help you make settings. Use these instructions to change the printer's default settings from the control panel.

Note:

The arrows in the instructions indicate the printer's current settings.

6. When you finish making settings, turn off the printer and exit the default-setting mode.

Note:

You may exit the default-setting mode by turning off the printer at any time. Any settings you have made remain in effect until you change them again.

Lock-Out Mode

You can restrict the use of buttons on the control panel by using the lock-out mode. In the basic setting, you can only use the Pause and Load/Eject buttons, when the lock-out mode is on.

Turning on or off the lock-out mode

3

You can turn on or off the lock-out mode easily by using buttons on the control panel.

Follow these steps to turn on the lock-out mode:

1. Make sure the printer is turned off.
2. Turn on the printer while holding down both the LF/FF and PAUSE buttons more than five seconds. The printer beeps twice, indicating that the lock-out mode has been turned on.

When the lock-out mode is on, the Pause and Paper Out lights flash simultaneously when the locked buttons are pushed.

To turn off the lock-out mode, repeat steps 1 and 2. The printer beeps once, indicating that the lock-out mode has been turned off.

See “Changing the lock-out mode setting” on page 49 for instructions on how to change the functions to be locked.

Changing the lock-out mode setting

You can select the printer functions to be locked while the lock-out mode is on according to your needs.

Note:

To print the language selection and panel lock-out mode instructions, you need three sheets of A4 or letter size single-sheet paper or three pages of continuous paper that is at least 279 mm (11 inches) long and 210 mm (8.3 inches) wide. See “Loading Continuous Paper” on page 5 and “Loading Single Sheets” on page 12 for instructions on loading continuous paper and single sheets.

Follow these steps to change the lock-out mode setting:

1. When using continuous paper, make sure paper is loaded and the printer is turned off.



Caution:

Whenever you turn off the printer, wait at least five seconds before turning it back on; otherwise, you may damage the printer.

2. Turn on the printer while holding down both the Load/Eject and LF/FF buttons more than five seconds.

The printer enters the lock-out setting mode. When using continuous paper, the printer prints the language selection instructions (one page).

3. When using single-sheet paper, load paper in the printer. The printer prints the language selection instructions (one page).
4. Make desired changes to the setting according to the instructions.
5. Turn off the printer and exit the lock-out setting mode.

See “Turning on or off the lock-out mode” on page 49 for instructions on how to turn the lock-out mode on after you change the lock-out mode setting.

Chapter 4

Troubleshooting

Using the Error Indicators	52
Problems and Solutions	53
Power supply problems	54
Paper loading or feeding problems	55
Printing position problems	60
Printing or printout quality problems	62
Correcting USB Problems	68
Clearing a Paper Jam	71
Aligning Vertical Lines in Your Printout	72
Printing a Self Test	73
Printing Hex Dump	75
Contacting Customer Support	76



Using the Error Indicators

You can identify many common printer problems using the lights on the control panel. If your printer stops working and one or more control panel lights are on or flashing or the printer beeps, use the following table to diagnose and fix the problem. If you cannot fix your printer problem using this table, see “Problems and Solutions” on page 53.

State of panel lights	Beep pattern	Problem Solution
<input type="checkbox"/> Power <input type="checkbox"/> Pause <input type="checkbox"/> Paper Out	●●●	No paper is loaded in the selected paper source.
		Load paper in the selected paper source; the Paper Out and Pause lights go off and the printer resumes printing.
<input type="checkbox"/> Power <input type="checkbox"/> Pause <input type="checkbox"/> Paper Out	●●●	Paper is not loaded correctly.
		Remove and reload your paper correctly, then press the Pause button. See “Loading Continuous Paper” on page 5, “Loading Single Sheets” on page 12, or “Loading Special Paper” on page 14 for paper-loading instructions.
	●●●	Continuous paper is not fully ejected.
		Tear off the paper and press the Load/Eject button to eject the paper.
	●●●	Single sheet paper is not fully ejected.
		Press the Load/Eject button to eject the sheet.
<input type="checkbox"/> Power <input type="checkbox"/> Pause <input checked="" type="checkbox"/> Paper Out	●●●	The paper release lever is set to the wrong position.
		Set the paper release lever to the position for the paper source you want to use. If paper from another paper source is currently in the paper path, press the Load/Eject button to eject the paper; then move the paper release lever to the desired position.
<input type="checkbox"/> Power <input type="checkbox"/> Pause <input type="checkbox"/> Paper Out	●●●●●	An unknown printer error has occurred.
		Turn off the printer and leave it off for several minutes; then turn it on again. If the error reoccurs, contact your dealer.

<input type="checkbox"/> Power <input type="checkbox"/> Pause <input checked="" type="checkbox"/> Paper Out	-	The print head is overheated.
		Wait for a few minutes; the printer resumes printing automatically once the print head cools.

= on, = off, = flashing

••• = short series of beeps (three beeps), ••••• = long series of beeps (five beeps)

Problems and Solutions

4

Most problems you may encounter while operating your printer have simple solutions. Use the information in this section to find the source of and solution to printer problems that occur.

Determine the type of problem that occurred, and see the appropriate section below:

“Power supply problems” on page 54

“Paper loading or feeding problems” on page 55

“Printing position problems” on page 60

“Printing or printout quality problems” on page 62

You can also use the self test to determine whether the printer or the computer is causing the problem. See “Printing a Self Test” on page 73 for instructions on printing a self test. To pinpoint communication problems, experienced users may want to use the printer’s hex dump mode described in “Printing Hex Dump” on page 75.

To clear a paper jam, see “Clearing a Paper Jam” on page 71.

Power supply problems

The control panel lights come on briefly but then go off and stay off.

Cause	What to do
The printer's voltage rating does not match the voltage of your electrical outlet.	Check the printer and the outlet voltage ratings. If the voltages do not match, unplug the printer immediately and contact your dealer.



Warning:

Do not reconnect the power cord to an electrical outlet with the wrong voltage for your printer.

The printer does not work and the control panel lights are off.

Cause	What to do
The printer is turned off.	Turn on the printer. The Power light comes on.
The power cord is not properly plugged into the electrical outlet; or if your power cord is not permanently attached to your printer, the power cord is not properly plugged into the printer.	Turn off the printer and make sure the power cord is firmly plugged into the electrical outlet and the printer. Then turn on the power switch.
The electrical outlet is controlled by an outside switch or automatic timer.	Use a different outlet.
The electrical outlet does not work.	Plug another electrical device, such as a lamp, into the outlet to check if the outlet is working properly. If it is not, use a different outlet.

Paper loading or feeding problems

Single sheets

The printer does not load single-sheet paper or does not feed it properly.

Cause	What to do
Continuous paper is in the paper path.	Press the Load/Eject button to remove the continuous paper. Set the paper release lever to the single-sheet feeding position and insert a new sheet. See “Switching to single sheets” on page 17 for more information.
The paper source is set to tractor feeding.	Set the paper release lever to the single-sheet feeding position. See “Setting the paper release lever” on page 3.

The paper feed roller rotates but the printer does not feed the paper.

Cause	What to do
The paper source is set to tractor feeding.	Set the paper release lever to the single-sheet feeding position. See “Setting the paper release lever” on page 3.

Paper feeding is crooked or the paper jams.

Cause	What to do
The paper guide is not properly installed.	Remove the paper guide and install it as described in the <i>Setup Sheet</i> .
The edge guide is not positioned correctly.	Move the edge guide so that they match the width of your paper.
You may not be using the right type of paper for the printer.	Be sure you are using the right type of paper. See “Paper” on page 133.

The paper is old or creased.

Use only new, clean sheets of paper.

Note:

If paper is jammed in the paper path, see "Clearing a Paper Jam" on page 71.

The paper-thickness lever is set incorrectly.

Set the paper-thickness lever to match the thickness of your paper. See "Adjusting the Paper-Thickness Lever" on page 3.

The printer does not fully eject the paper.

Cause	What to do
--------------	-------------------

You may not be able to fully eject your paper using the LF/FF button.

Use the Load/Eject button to eject the paper.

Your paper may be too long.

Make sure the page length of your paper is within the specified range. See the single-sheet paper specifications in "Single sheets" on page 134. Also check and adjust the paper size setting in your application or the printer driver.

When the printer ejects the paper, the Paper Out light flashes and the Power and Pause lights come on.

Cause	What to do
--------------	-------------------

The printer has not fully ejected your paper.

Remove the paper by hand; the Paper Out light goes out. If you are printing a multiple-page document, insert a new sheet of paper into the paper guide. The Pause light goes out and the printer automatically loads the paper and resumes printing.

Continuous paper

The printer does not load continuous paper or does not feed it properly.

Cause	What to do
The paper source is set to single-sheet feeding.	Set the paper release lever to the tractor feeding position. See “Setting the paper release lever” on page 3 for more information.
The paper has come off the tractor.	Reattach the paper to the tractor as described in “Loading Continuous Paper” on page 5.

When you send data or press the Load/Eject button, the paper feed roller rotates but the printer does not feed the paper.

Cause	What to do
The paper source is set to single-sheet feeding.	Set the paper release lever to the tractor feeding position. See “Setting the paper release lever” on page 3 for more information.
The paper has come off the tractor.	Reattach the paper to the tractor as described in “Loading Continuous Paper” on page 5.
The paper has been fed back to the standby position.	Press the LOAD/EJECT button to load the paper.

Paper feeding is crooked or the paper jams.

Cause	What to do
The paper supply is obstructed.	Make sure the paper supply is not obstructed by a cable or some other object.
The paper supply is not aligned with the printer.	Make sure you align your paper supply with the paper loaded in the tractor so the paper feeds smoothly into the printer. See “Positioning the continuous paper supply” on page 5.

The paper supply is too far away from the printer.	Make sure that your paper supply is within 1 meter (3 feet) of the printer.
The holes on the sides of the paper are misaligned.	Check that the holes on the sides of the paper are aligned with each other. Also make sure the sprocket units are locked and their covers are closed.
The paper-thickness lever is set incorrectly.	Set the paper-thickness lever to match the thickness of your paper. See "Adjusting the Paper-Thickness Lever" on page 3.
Your paper may be the wrong size or thickness for the printer.	Make sure that the paper size and thickness are within the specified ranges. See "Paper" on page 133 for information on the continuous paper specifications.
The sprocket units are positioned incorrectly for the width of paper you are using.	Adjust the position of the sprockets to remove any slack along the width of the paper.
	Note: <i>If paper is jammed in the paper path, see "Clearing a Paper Jam" on page 71 for instructions.</i>

The printer does not eject your continuous paper properly.

Cause	What to do
You may be trying to feed too much paper backward.	If you are using normal continuous paper, tear off the last printed page and press the Load/Eject button to feed the paper backward. If you are using labels, tear off the paper entering the printer, and then press the LF/FF button to feed the labels forward.
Your paper may be too long or too short.	Make sure the page length of your paper is within the specified range. See "Paper" on page 133 for information on the continuous paper specification.

The paper size setting in your application or the printer driver may not match the size of the paper you are using.

Check the paper size setting in your application or the printer driver.

The printer's page length setting for the tractor may not match the size of the continuous paper you are using.

Check Page length for tractor of the printer's default settings. See "Changing default settings" on page 47 for more information.

Paper is jammed inside the printer.

Clear the paper jam as described in "Clearing a Paper Jam" on page 71.

Printing position problems

Wrong top-of-form position

Your printing appears too high or low on the page.

Cause	What to do
The paper size setting in your application software or printer driver does not match the size of the paper you are using.	Check the paper size setting in your application or printer driver.
The printer's page length setting for the tractor does not match the size of the continuous paper you are using.	Change Page length for tractor setting using the printer's default-setting mode. See "Changing default settings" on page 47 for more information.
The top margin or top-of-form position setting is incorrect.	Check and adjust the margin or top-of-form position settings in your application software. See "Printable area" on page 142 for more information. You can also adjust the top-of-form position using the Micro Adjust function. However, settings made in Windows applications override settings made in the Micro Adjust mode. See "Adjusting the top-of-form position" on page 20 for more information.
The printer driver settings you want to use are not selected in your software.	Choose the correct printer driver setting from the Windows desktop or in your application before printing.
Pull the loaded paper out of the tractor unit while the printer is on. Or pull out paper that is not ejected completely after pressing the Load/Eject button.	Turn the printer off and remove the loaded paper, then turn the printer on and reload the paper.

Wrong tear-off position

The printer prints on (or too far away from) the perforation of your continuous paper.

Cause	What to do
The tear-off position setting is incorrect.	Adjust the tear-off position using the Micro Adjust function. See “Adjusting the tear-off position” on page 19 for more information.
The printer you want to use is not selected in your software.	Choose the correct printer from the Windows desktop or in your application before printing.
The paper size setting in your application or printer driver does not match the size of the paper you are using.	Check the paper size setting in your application or printer driver.
The printer’s page length setting for the tractor does not match the size of the paper you are using.	Change Page length for tractor setting using the printer’s default-setting. See “Changing default settings” on page 47 for more information.
Pull the loaded paper out of the tractor unit while the printer is on. Or pull out paper that is not ejected completely after pressing the Load/Eject button.	Turn the printer off and remove the loaded paper, then turn the printer on and reload the paper.

Printing or printout quality problems

The Pause light is off but the printer does not print.

Cause	What to do
The interface cable is not plugged in securely.	Check that both ends of the cable between the printer and the computer are plugged in securely. If the cable is connected correctly, run a self test as described in "Printing a Self Test" on page 73.
Your interface cable does not meet the printer and/or computer specifications.	Use an interface cable that meets the requirements of both the printer and computer. See the <i>Setup Sheet</i> and your computer documentation.
Your software is not properly set up for your printer.	Make sure that your printer is properly selected in your application software. If necessary, install or reinstall the printer driver software. Refer to the <i>Setup Sheet</i> for detailed instruction.

The Paper Out and Pause lights are on and the printer does not print.

Cause	What to do
The printer is out of paper for the selected paper source.	Make sure the correct paper source is selected by the paper release lever, and load paper in the current paper source. Press the PAUSE button to resume printing.
Paper on the paper guide is positioned too far to the left, right or inside for the paper sensor to detect it.	Move the paper a little to the right, left or inside. When it is positioned properly, the Paper Out and Pause lights go off.

The printer sounds like it is printing, but nothing prints.

Cause	What to do
The ribbon cartridge is not installed properly.	Reinstall the ribbon cartridge as described in “Replacing the ribbon cartridge” on page 118.
The ribbon is worn out.	Replace the ribbon cartridge as described in “Replacing the ribbon cartridge” on page 118.
The paper source is not selected correctly.	Select the desired paper source. See “Selecting a Paper Source” on page 2 for more information.

The printer makes a strange noise and stops abruptly.

Cause	What to do
The paper is jammed.	Clear the paper jam as described in “Clearing a Paper Jam” on page 71.
The ribbon is jammed because it has too much slack or it is worn out.	Remove any slack from the ribbon by turning the ribbon-tightening knob, or replace the ribbon cartridge. See “Replacing the ribbon cartridge” on page 118 for more information.

The printer stops printing and the Pause light flashes and the Power light is on.

Cause	What to do
The print head is overheated.	Wait for a few minutes; the printer resumes printing automatically once the print head cools.

Part of the printout is missing, or dots are missing in random positions.

Cause	What to do
The ribbon cartridge is not installed properly.	Reinstall the ribbon cartridge as described in “Replacing the ribbon cartridge” on page 118.

There is too much slack in the ribbon or the ribbon has come loose. Remove any slack in the ribbon by turning the ribbon-tightening knob, or replace the ribbon cartridge as described in "Replacing the ribbon cartridge" on page 118.

Lines of dots are missing in the printout as shown below.

ABCD

ABCD

ABCD

Cause	What to do
The ribbon cartridge is not installed correctly, and the ribbon is twisting or slackening.	Stop printing and reinstall the ribbon cartridge as described "Replacing the ribbon cartridge" on page 118.
The print head is damaged.	Stop printing and contact your dealer to have the print head replaced.



Warning:
Never try to replace the print head yourself because other parts of the printer must be checked at the same time.

The characters are shortened vertically or the line spacing is entirely closed.

Cause	What to do
The proper setting has not been made for the multipart forms with cut-paper tab binding.	Set the multipart forms with cut-paper tab binding setting in the default-setting mode to on.

Incorrect characters are printed.

Cause	What to do
Your printer and the computer may not be communicating correctly.	Make sure that you use the correct interface cable and that the communications protocol is correct. Refer to the <i>Setup Sheet</i> and your computer documentation. If you installed the optional interface card, also see the Administrator's Manual packaged with it.
Your printer is connected via a serial interface and the setting of the flow control is incorrect. (For LQ-630S only)	Change the flow control setting in your printer driver. To change the flow control setting, click the Details tab in the printer driver's properties window, then click the Port Settings button. Select Xon / Xoff as the Flow control setting in the dialog box that appears.
The wrong character table is selected in your software.	Select the correct character table in your software or the printer's default settings. Note that the character table setting in your software overrides the settings made in the default-setting mode.

The font or characters set in your application software cannot be printed.

Cause	What to do
Your application software is not correctly configured for your printer.	Make sure that your application software is correctly configured for your printer. See your application documentation.

The printer does not print the font you selected in the default settings.

Cause	What to do
Software settings override settings you make in the default settings.	Use your software to select the font.

Printing starts too high or too low on the page.

Cause	What to do
The paper size settings in your application software do not match the size of the paper loaded in the printer.	Change the paper size settings in your application software or printer driver to match the size of the paper you are using.
The top margin or loading position setting is incorrect.	Check and adjust the top margin and loading position settings in your software, or adjust the top-of-form position using the Micro Adjust function. See "Printable area" on page 142 and "Adjusting the top-of-form position" on page 20 for more information. However, settings made in Windows applications override settings made on the control panel.
Top margin and loading position settings made in your Windows applications override settings you make in the SelecType mode.	Use your application software to make these settings. Note: <i>If you want to eliminate the top margin and print at the very top of the page, adjust the top margin in your Windows application little by little until text is printed at the very top of the page.</i>
Pull the loaded paper out of the tractor unit while the printer is on. Or pull out paper that is not ejected completely after pressing the Load/Eject button.	Turn the printer off and remove the loaded paper, then turn the printer on and reload the paper.

All the text is printed on the same line.

Cause	What to do
No line feed command is sent at the end of each line of text.	Turn on the auto line feed option in the default-settings mode, so that the printer automatically adds a line feed code to each carriage return. See “Changing default settings” on page 47 for more information.

The printout has extra blank lines between lines of text.

Cause	What to do
Two line feed commands are being sent at the end of each line of text.	Turn off the auto line feed option in the default-settings mode. See “Changing default settings” on page 47 for more information.
The line space setting in your application software is incorrect.	Adjust the line space setting in your application software.

The length of the printing on the page does not match your paper length.

Cause	What to do
The paper size setting in your application or the printer driver may not match the size of the paper you are using.	Check the paper size setting in your application or the printer driver.
The printer’s page length setting for the tractor may not match the size of the continuous paper you are using.	Check Page length for tractor of the printer’s default settings. See “Changing default settings” on page 47 for more information.

Printing starts lower on the page than you expect, or the bottom of a page is printed at the top of the next page.

Cause	What to do
The lines-per-page, top and bottom margin, or form length setting is incorrect.	Adjust these settings in your application software, as follows: If your application software has a lines-per-page setting, set it to 66 for letter size paper or 70 for A4 size paper. If your software does not have a lines-per-page setting, try decreasing the top margin or increasing the bottom margin, or both, until you get the results you want. Adjust the form length setting if your software has this option.

Vertical printed lines are not aligned.

Cause	What to do
Bidirectional printing, which is the printer's standard printing mode, may be out of alignment.	Use the printer's bidirectional adjustment mode to correct this problem. See "Aligning Vertical Lines in Your Printout" on page 72 for more information.

Correcting USB Problems

If you are having difficulty using your printer with a USB connection, read the information in this section.

Make sure that your computer is a Windows Me, 98, XP, or 2000 pre-installed model

Your computer must be a Windows Me, 98, XP, or 2000 pre-installed model. You may not be able to install or run the USB printer driver on a computer which is not equipped with a USB port or which has been upgraded from Windows 95 to Windows Me, 98, XP, or 2000.

For details about your computer, contact your dealer.

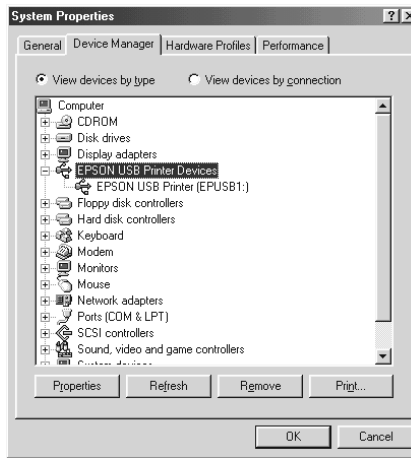
Make sure that EPSON USB Printer Devices appears on the Device Manager menu (for Windows Me and 98 only)

If you canceled the plug-and-play driver installation before the procedure was complete, either the USB printer device driver or the printer driver may be incorrectly installed.

Follow these steps to check the installation and reinstall the drivers:

1. Turn the printer on, and plug the USB cable into the printer and the computer.
2. Right-click the My Computer icon on your desktop, then click Properties.
3. Click the Device Manager tab.

If your drivers are correctly installed, EPSON USB Printer Devices should appear on the Device Manager menu.



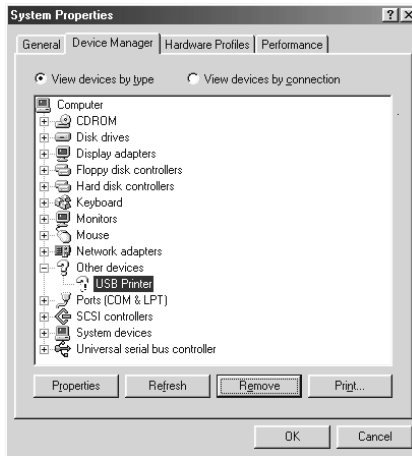
If EPSON USB Printer Devices does not appear on the Device Manager menu, click the plus (+) sign beside Other devices to view the installed devices.



If USB Printer appears under Other devices, the USB printer device driver is not installed correctly. If EPSON LQ-630 appears, the printer driver is not installed correctly.

If neither USB Printer nor EPSON LQ-630 appears under Other devices, click Refresh or unplug the USB cable from the printer, then plug it into the printer again.

4. Under Other devices, select USB Printer or EPSON LQ-630 and click Remove. Then, click OK.



5. When the following dialog box appears, click OK. Then click OK again to close the System Properties dialog box.

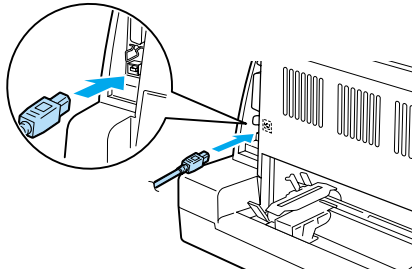


6. Turn off the printer and restart your computer. Then, reinstall the drivers from the beginning, following the instructions in the *Setup Sheet*.

Printer does not work correctly with the USB cable

If your printer does not work correctly with the USB cable, try one or more of these solutions:

- ❑ Make sure that the cable you are using is a standard, shielded USB cable.
- ❑ If you are using a USB hub, connect the printer to the first tier of the hub, or connect the printer directly to the computer's USB port.
- ❑ For Windows Me and 98, try reinstalling the USB printer device driver and the printer software. First, uninstall EPSON Printer Software using the Add/Remove Programs utility in the Control Panel, then uninstall EPSON USB Printer Devices. Next, reinstall the software as described in the *Setup Sheet*. If EPSON USB Printer Devices is not registered in the Add/Remove Programs list, access the CD-ROM and double-click `epusbun.exe` in WinMe or Win98 folder. Then follow the on-screen instructions.



Clearing a Paper Jam

Follow these steps to clear a paper jam:



Caution:

Do not pull out the jammed paper when the printer is on.

1. Turn off the printer.
2. Open the printer cover.

3. If continuous paper is jammed in the printer, tear off the fresh supply at the back of the printer.
4. Open the paper bail and remove the paper. Remove any remaining pieces of paper.

If the paper is stuck where the printer ejects it, gently pull the paper out of the printer.

5. Close the paper bail and printer cover, then turn on the printer. Make sure the Paper Out and Pause lights are off.

Aligning Vertical Lines in Your Printout

If you notice that the vertical lines in your printout are not properly aligned, you can use the printer's bidirectional adjustment mode to correct this problem.

During bidirectional adjustment, the printer prints three sheets of alignment patterns, Draft, Bit Image, and LQ (letter quality). Select the best alignment pattern from each sheet to align vertical lines.

Follow the steps below to perform bidirectional adjustment.

Note:

- ❑ *To print the instruction sheet and alignment patterns, you need four sheets of A4 size single-sheet paper or 10-inch (recommended) continuous paper. (See "Loading Continuous Paper" on page 5 or "Loading Single Sheets" on page 12 for paper-loading instructions.)*
 - ❑ *If you use single-sheet paper, be sure to load a new sheet of paper each time the printer ejects a printed sheet. Otherwise, you cannot proceed to the next step.*
1. When using continuous paper, make sure paper is loaded and the printer is turned off.



Caution:

Whenever you turn off the printer, wait at least five seconds before turning it back on; otherwise you may damage the printer.

2. While holding down the PAUSE button, turn on the printer.
The printer enters the bidirectional adjustment mode. When using continuous paper, the printer prints the instruction sheet and the first set of alignment patterns.
3. When using single-sheet paper, load paper in the printer. The printer prints the instruction sheet and the first set of alignment patterns.
4. As described in the instructions, compare the alignment patterns and select the number of the pattern with the best alignment using the LF/FF ↓ and Load/Eject ↑ buttons. The Power, Pause and Paper Out lights show the pattern number which is selected at that time.
5. Press the Pause button. The printer prints the next set of alignment patterns.
6. Repeat steps 3 and 4 to select and enter the number of the pattern with the best alignment for each of the remaining sets.
7. Turn off the printer to exit the bidirectional adjustment mode.

Printing a Self Test

Running the printer's self test helps you determine whether the printer or the computer is causing the problem:

- ❑ If the self test results are satisfactory, the printer is working properly and the problem is probably caused by your printer driver settings, application settings, computer, or interface cable. (Be sure to use a shielded interface cable.)
- ❑ If the self test does not print properly, there is a problem with the printer. See "Problems and Solutions" on page 53 for possible causes and solutions to the problem.

You can print the self test using either single sheets or continuous paper. See "Loading Continuous Paper" on page 5 or "Loading Single Sheets" on page 12 for paper-loading instructions.

Follow these steps to perform a self test:

1. When using continuous paper, make sure paper is loaded, and the paper release lever is set to the correct position. Then turn off the printer.



Caution:

Whenever you turn off the printer, wait at least five seconds before turning it back on; otherwise you may damage the printer.

2. To run the test using the Draft font, turn on the printer while holding down the LF/FF button. To run the test using the printer's letter-quality fonts, turn on the printer while holding down the Load/Eject button. Either self test can help you determine the source of your printing problem; however, the draft self test prints faster than the letter-quality test.
3. When using single-sheet paper, load paper in the printer.

After a few seconds, the printer loads the paper automatically and begins printing the self test. A series of characters is printed.

Note:

To temporarily stop the self test, press the PAUSE button. To resume the test, press the PAUSE button again.

4. To end the self test, press the PAUSE button to stop printing. If paper remains in the printer, press the Load/Eject button to eject the printed page. Then turn off the printer.



Caution:

Do not turn off the printer while it is printing the self test. Always press the PAUSE button to stop printing and the Load/Eject button to eject the printed page before you turn off the printer.

Printing Hex Dump

If you are an experienced user or a programmer, print a hexadecimal dump to isolate communication problems between the printer and your software program. In hex dump mode, the printer prints all data it receives from the computer as hexadecimal values.

Follow these steps to print a hex dump:

Note:

The hex dump feature is designed for a connection with DOS-based PC.

1. When using continuous paper, make sure that the paper is loaded and the printer is turned off.
2. To enter hex dump mode, turn on the printer while holding down both the LF/FF and Load/Eject buttons.
3. When using A4 (210 × 297 mm, 8.3 × 11.7 inches) or wider (such as letter size paper) single-sheet paper, load paper in the printer.
4. Open a software program and send a print job to the printer. Your printer prints all the codes it receives in hexadecimal format.

```
1B 40 20 54 68 69 73 20 69 73 20 61 6E 20 65 78  .@ This is an ex
61 6D 70 6C 65 20 6F 66 20 61 20 68 65 78 20 64  ample of a hex d
75 6D 70 20 70 72 69 6E 74 6F 75 74 2E 0D 0A  ump printout...
```

By comparing the characters printed in the right column with the printout of the hexadecimal codes, you can check the codes being received by the printer. If characters are printable, they appear in the right column as ASCII characters. Nonprintable codes, such as control codes, are represented by dots.

5. To exit the hex dump mode, press the PAUSE button and eject the printed page(s), and turn off the printer.

Contacting Customer Support

If your EPSON product is not operating properly and you cannot solve the problem using the troubleshooting information in your product documentation, contact customer support services for assistance. If customer support for your area is not listed below, contact the dealer where you purchased your product.

Customer support will be able to help you much more quickly if you give them the following information:

- Product serial number
(The serial number label is usually on the back of the product.)
- Product model
- Product software version
(Click About, Version Info, or similar button in the product software.)
- Brand and model of your computer
- Your computer operating system name and version
- Names and versions of the software applications you normally use with your product

Select your country:

"Germany" on page 77	"Hungary" on page 99	"France" on page 77	"Norway" on page 100
"Yugoslavia" on page 101	"Austria" on page 95	"Slovak Republic" on page 100	"Spain" on page 86
"Sweden" on page 100	"Greece" on page 101	"Netherlands" on page 95	"Czek. Republic" on page 100
"United Kingdom" on page 90	"Republic of Ireland" on page 91	"Italy" on page 91	"Turkey" on page 102
"Belgium" on page 96	"Poland" on page 110	"Denmark" on page 96	"Croatia" on page 97

"Cyprus" on page 109	"Luxemburg" on page 98	"Bulgaria" on page 111	"Finland" on page 96
"Macedonia" on page 97	"Portugal" on page 94	"Switzerland" on page 99	"Romania" on page 111
"Slovenia" on page 98	"Estonia" on page 111	"Latvia" on page 111	"Lithuania" on page 112
"Israel" on page 112	"Middle East" on page 112	"South Africa" on page 112	"Bosnia Herzgovina" on page 113

"Argentina" on page 113	"Chile" on page 114	"Costa Rica" on page 115	"Peru" on page 115	"USA (Latin America)" on page 116
"Brazil" on page 114	"Colombia" on page 114	"Mexico" on page 115	"Venezuela" on page 116	"USA" on page 116

Germany

EPSON Deutschland GmbH

Service & Support

0180-5234110

Monday to Friday: 9 a.m. to 9 p.m.

Saturday to Sunday: 10 a.m. to 4 a.m.

Public holidays: 10 a.m. to 4 p.m.

(0,12 E per minute)

www.epson.de/support/

France

Support Technique EPSON France,

0 892 899 999 (0,34 E/minute)

Ouvert du lundi au samedi de 9h00 à 20h00 sans interruption

<http://www.epson.fr/support/selfhelp/french.htm> pour accéder à l'**AIDE EN LIGNE**.

<http://www.epson.fr/support/services/index.shtml> pour accéder aux **SERVICES** du support technique.

Centres de maintenance

AJACCIO CIM Le Stiletto - Lot N° 5 20090 AJACCIO	Tél : 04.95.23.73.73 Fax : 04.95.23.73.70
AMIENS FMA 13, rue Marc Sangnier 8000 AMIENS	Tél : 03.22.22.05.04 Fax : 03.22.22.05.01
ANNECY (td) MAINTRONIC Parc des Glaisins Immeuble Prosalp 14, rue Pré Paillard 74940 ANNECY Le Vieux	Tél : 04.50.10.21.30 Fax : 04.50.10.21.31
AVIGNON MAINTRONIC Anthéa, rue du Mourelet Zl de Courtine III 84000 AVIGNON	Tél : 04.32.74.33.50 Fax : 04.32.74.05.89
BASTIA (td) CIM Immeuble Albitreccia Avenue du Maichione 20200 LUPINO	Tél : 04.95.30.65.01 Fax : 04.95.30.65.01

BORDEAUX FMA Parc d'activités Chemin Long Allée James Watt - Immeuble Space 3 33700 MERIGNAC	Tél : 05.56.34.85.16 Fax : 05.56.47.63.18
BORDEAUX MAINTRONIC 11/19 rue Edmond Besse Immeuble Rive Gauche 33300 BORDEAUX	Tél : 05.57.10.67.67 Fax : 05.56.69.98.10
BOURGES (fd) BEGELEC 18, avenue du 11 Novembre 18000 BOURGES	Tél : 02.48.67.00.38 Fax : 02.48.67.98.88
BREST FMA 8, rue Fernand Forest 29850 GOUESNOU	Tél : 02.98.42.01.29 Fax : 02.98.02.17.24
CAEN TMS 17, rue des Métiers 14123 CORMELLES LE ROYAL	Tél : 02.31.84.80.82 Fax : 02.31.84.80.83
CLERMONT FMA 14, rue Léonard de Vinci Bât H - ZI La Pardieu 63000 CLERMONT FERRAND	Tél : 04.73.28.59.60 Fax : 04.73.28.59.65
CROISSY SUR SEINE BEGELEC ZA Claude Monet 5 rue Hans List Bât F 78290 CROISSY SUR SEINE	Tél : 01 30 09 20 55 Fax : 01 34 80 17 24

<p>DIJON FMA 60, rue du 14 Juillet Parc des Grands Crus 21300 CHENOVE</p>	<p>Tél : 03.80.51.17.17 Fax : 03.80.51.23.00</p>
<p>GRENOBLE (td) FMA 2 rue Mayencin 38400 ST MARTIN D'HERES</p>	<p>Tél : 04.38.37.01.19 Fax : 04.76.44.78.92</p>
<p>GRENOBLE MAINTRONIC Les Akhesades Bât B. Rue Irène Joliot Curie 38320 EYBENS</p>	<p>Tél : 04.76.25.87.87 Fax : 04.76.25.88.10</p>
<p>HEROUVILLE ST CLAIR BEGELEC ZI de la Sphère 558 rue Léon Foucault 14200 HEROUVILLE ST CLAIR</p>	<p>Tél : 02 31 53 66 83 Fax : 02 31 53 66 84</p>
<p>LE HAVRE FMA 33, bd de Lattre de Tassigny 76600 LE HAVRE</p>	<p>Tél : 02.32.74.27.44 Fax : 02.35.19.05.35</p>
<p>LE MANS BEGELEC 117, rue de l'Angevinière 72000 LE MANS</p>	<p>Tél : 02.43.77.18.20 Fax : 02.43.77.18.28</p>
<p>LILLE FMA 99 rue Parmentier - Bât A 59650 VILLENEUVE D'ASCQ</p>	<p>Tél : 03.20.71.47.30 Fax : 03.20.61.07.90</p>

LILLE MAINTRONIC Synergie Park 9, avenue Pierre et Marie Curie 59260 LEZENNES	Tél : 03.20.19.04.10 Fax : 03.20.19.04.19
LIMOGES MAINTRONIC 43 rue Cruveilhaer 87000 LIMOGES	Tél : 05.55.10.36.75 Fax : 05.55.77.44.00
LYON FMA 136, chemin Moulin Carron 69130 ECULLY	Tél : 04.78.35.38.65 Fax : 04.78.35.24.99
LYON MAINTRONIC 9, allée du Général Benoist ZAC du Chêne 69500 BRON	Tél : 04.72.14.95.00 Fax : 04.78.41.81.96
LYON Centre MAINTRONIC 4, quai Jules Courmont 69002 LYON	Tél : 04.72.56.94.85 Fax : 04.72.56.94.89
MARSEILLE FMA 305 ZA de Mourepiane 467, Chemin du Littoral 13322 MARSEILLE CX 13	Tél : 04.91.03.13.43 Fax : 04.91.03.13.72
MARSEILLE MAINTRONIC Bât D1 - Actiparc II Chemin de St LAMBERT 13821 LA PENNE SUR HUVEAUNE	Tél : 04.91.87.83.93 Fax : 04.91.87.83.94

METZ FMA 104 rue de Pont à Mousson 57950 MONTIGNY LES METZ	Tél : 03 87 66 92 00 Fax : 03 87 66 18 22
METZ MAINTRONIC TECHNOPOLE 2000 6, rue Thomas Edison 57070 METZ	Tél : 03.87.76.98.30 Fax : 03.87.76.31.15
MONTPELLIER MAINTRONIC Parc Ateliers Technologiques 2, avenue Einstein 34000 MONTPELLIER	Tél : 04.67.15.66.80 Fax : 04.67.22.50.91
MULHOUSE FMA 106, rue des Bains 68390 SAUSHEIM	Tél : 03.89.61.77.88 Fax : 03.89.31.05.25
NANCY FMA 3 rue du Bois Chêne le Loup 54500 VANDOEUVRE CEDEX	Tél : 03.83.44.44.00 Fax : 03.83.44.10.20
NANTES FMA 1105 avenue Jacques Cartier Bât B4 44800 ST HERBLAIN	Tél : 02.28.03.10.73 Fax : 02.28.03.10.71
NANTES MAINTRONIC 5 rue du Tertre 44470 CARQUEFOU	Tél : 02 51 85 22 70 Fax : 02 51 85 22 71

NICE FMA 329, avenue des PUGETS Bât A.2 - Le Réal 06700 ST LAURENT DU VAR	Tél : 04.93.14.01.70 Fax : 04.93.14.01.73
NICE MAINTRONIC Les terriers Nord Immeuble Les Sporades 500, allée des Terriers 06600 ANTIBES	Tél : 04.92.91.90.90 Fax : 04.93.33.98.63
NIORT MAINTRONIC 49 rue du Fief d'Amourettes 79000 NIORT	Tél : 05 49 24 18 71 Fax : 05 49 24 15 85
ORLEANS FMA ZA des Vallées 45770 SARAN	Tél : 02 38 73 16 00 Fax : 02 38 43 85 77
PARIS 11^{ème} FMA 10 rue des Goncourt 75011 PARIS	Tél : 01 47 00 95 95 Fax : 01 47 00 95 96
PARIS 12^{ème} BEGELEC 182, rue de Charenton 75012 PARIS	Tél : 01.44.68.83.01 Fax : 01.44.68.83.02
PARIS 13^{ème} MAINTRONIC Immeuble Berlier 15, rue JB Berlier 75013 PARIS	Tél : 01.44.06.99.44 Fax : 01.44.24.05.06

<p>PARIS 14^{ème} FMA 63, rue de Gergovie 75014 PARIS</p>	<p>Tél : 01.45.45.57.65 Fax : 01.45.39.48.86</p>
<p>PARIS EST (td) BEGELEC 3, allée Jean Image 77200 TORCY</p>	<p>Tél : 01.60.06.02.02 Fax : 01.60.06.02.60</p>
<p>PARIS NORD FMA 30, av. du vieux Chemin de St Denis 92390 VILLENEUVE LA GARENNE</p>	<p>Tél : 01.40.85.98.08 Fax : 01.47.92.00.85</p>
<p>PARIS SUD BEGELEC Immeuble Femto 1, avenue de Norvège 91953 LES ULIS</p>	<p>Tél : 01.64.46.44.01 Fax : 01.69.28.83.22</p>
<p>PAU MAINTRONIC 375, bd Cami Sallié 64000 PAU</p>	<p>Tél : 05.59.40.24.00 Fax : 05.59.40.24.25</p>
<p>REIMS FMA Parc technologique H. Farman 12, allée Fonck 51100 REIMS</p>	<p>Tél : 03.26.97.80.07 Fax : 03.26.49.00.95</p>
<p>RENNES FMA 59 bd d'Armorique Square de la Mettrie 35700 RENNES</p>	<p>Tél : 02.23.20.25.25 Fax : 02.23.20.04.15</p>

RENNES MAINTRONIC Parc d'affaires de la Bretèche Bât 2 35760 RENNES ST GREGOIRE	Tél : 02.99.23.62.23 Fax : 02.99.23.62.20
ROUEN BEGELEC Technopole des Bocquets Immeuble le Dulong 75 Allée Paul Langevin 76230 BOIS GUILLAUME	Tél : 02 35 12 41 66 Fax : 02 35 12 41 67
STRASBOURG FMA Parc d'activités Point Sud 3C rue du Fort 67118 GEISPOSHEIM	Tél : 03.88.55.38.18 Fax : 03.88.55.41.55
STRASBOURG MAINTRONIC ESPACE EUROPEEN DE L'ENTREPRISE 13 avenue de l'Europe 67300 SCHILTIGHEIM	Tél : 03 90 22 79 40 Fax : 03 90 20 89 14
TOULON (fd) FMA 64 route de Capelane ZA la Capelane Parc Burotel 83140 SIX FOURS	Tél : 04.94.63.02.87 Fax : 04.94.63.42.55
TOULOUSE FMA Buroplus - BP 365 31313 LABEGE CEDEX	Tél : 05.61.00.54.22 Fax : 05.61.00.52.01
TOULOUSE MAINTRONIC 7, avenue de l'Europe 31520 RAMONVILLE ST AGNE	Tél : 05.61.73.11.41 Fax : 05.61.73.80.06

TOURS BEGELEC 25, rue des Granges Galand ZI des Granges Galand 37550 ST AVERTIN	Tél : 02.47.25.10.60 Fax : 02.47.25.10.72
TROYES (td) BEGELEC 15, rue des Epingliers 10120 St ANDRE LES VERGERS	Tél : 03.25.49.78.96 Fax :03.25.49.78.97
VALENCIENNES BEGELEC (td) 14C rue Pierre Mathieu 59410 ANZIN	Tél : 03 27 19 19 05 Fax : 03 27 19 19 06

Spain

EPSON IBÉRICA, S.A.

Avda. Roma 18-26, 08290 Cerdanyola, Barcelona, España

Tel.: 34.93.5821500

Fax: 34.93.5821555

CENTRO DE ATENCIÓN AL CLIENTE

Tel.: 902 40 41 42

Fax: 93 582 15 16

E-mail: soporte@epson.es

www.epson.es

www.epson.es/support/

SERVICIOS OFICIALES DE ASISTENCIA TÉCNICA EPSON

POBLACION	PROVINCIA	EMPRESA	TELEFONO	FAX	DIRECCION	CP
-----------	-----------	---------	----------	-----	-----------	----

ALBACETE	ALBACETE	DEPARTAMENT O TÉCNICO INFORMÁTICO S.A.L.	967/ 50.69.10	967/50.69.09	C/ FRANCISCO PIZARRO, 13 BAJOS	02004
ALICANTE	ALICANTE	RPEI	96/ 510.20.53	96/511.41.80	C/ EDUARDO LANGUCHA, 17 BAJOS	03006
ALMERIA	ALMERIA	MASTER KIT S.A.	950/ 62.13.77	950/62.13.72	CAMINO LA GOLETA, 2º TRAV.NAVE 4	04007
OVIEDO	ASTURIAS	COMERCIAL EPROM, S.A.	98/ 523.04.59	98/527.30.19	AV. DE LAS SEGADAS, 5 BAJOS	33006
OVIEDO	ASTURIAS	LABEL MICROHARD, S.L.	98/ 511.37.53	98/511.37.53	C/. FERNÁNDEZ DE OVIEDO, 38, BJO.	33012
BADAJOZ	BADAJOZ	INFOMECS S.C.	924/ 24.19.19	924/22.90.36	C/ VICENTE DELGADO ALGABA, 10	06010
BADAJOZ	BADAJOZ	PAITRON BADAJOZ	902/ 24.20.24	924/24.18.97	AV. Mº AUXILIADORA, 7	06011
MÉRIDA	BADAJOZ	PAITRON MÉRIDA	924/ 37.16.06	924/37.15.91	C/ PUERTO RICO, 2	06800
PALMA DE M.	BALEARES	BALEAR DE INSTALACIONES Y MANT. S.L	971/ 24.64.55	971/24.51.02	C/MANACOR, 82 A BAJOS	07006
MAHÓN	BALEARES	INFORMÁTICA MAHÓN, S.L.	971/ 35.33.23	971/35.12.12	C/. SAN CLEMENTE, 78 (SES VINYES)	07707
BARCELONA	BARCELONA	BS MICROTEC MANT. INFORMÁTIC S.L.	93/ 243.13.23	93/340.38.24	C/. PALENCIA, 45	08027
BARCELONA	BARCELONA	MICROVIDEO	93/ 265.15.75	93/265.44.58	AVDA DIAGONAL, 296	08013
CERDANYOLA	BARCELONA	OFYSAT S.L.	93/ 580.87.87	93/580.89.96	C/ FONTETES, 3-5, Local 1	08290
BARCELONA	BARCELONA	RIFÉ ELECTRÓNICA, S.A.	93/ 453.12.40	93/323.64.70	C/ ARIBAU, 81	08036
SANT BOI	BARCELONA	SELTRON S.L.	93/ 652.97.70	93/630.81.04	C/ INDUSTRIA, 44-46	08830
MANRESA	BARCELONA	TELESERVICIO	93/ 873.56.23	93/877.00.34	AV. TUDELA, 44	08240
BURGOS	BURGOS	MANHARD, S.L.	947/ 22.11.09	947/22.09.19	AVDA CASTILLA-LEÓN, 46	09006

CÁCERES	CÁCERES	PAITRON CÁCERES	902/ 21.40.21	927/21.39.99	C/ GABINO MURIEL, 1	10001
PTO.SANTA.Mª.	CÁDIZ	ELSE INFORMÁTICA, S.L.	902/ 19.75.63	956/56.05.12	AV. RIO SAN PEDRO, 59, URB. VALDELAGMANA	11500
JEREZ	CÁDIZ	NEW SERVICE, S.L.	956/ 18.38.38	956/18.55.85	C/ ASTA, 18	11404
LAS PALMAS	CANARIAS	MEILAND	928/ 29.22.30	928/23.38.92	C/ NÉSTOR DE LA TORRE, 3 OFIC.1	35006
LAS PALMAS	CANARIAS	G.B. CANARIAS SERVICIOS, S.L.	902/ 11.47.54	902/08.28.38	C/. DR. JUAN DOMINGUEZ PEREZ, 6 URB. SEBADAL	35008
SANTANDER	CANTABRIA	INFORTEC. S.C.	942/ 23.54.99	942/23.98.42	C/. JIMÉNEZ DÍAZ, 1	39007
CASTELLÓN	CASTELLÓN	INFORSAT, S.L.	964/ 22.94.01	964/22.94.05	C/ CRONISTA REVEST, 30 BAJOS	12005
ALCAZAR	CIUDAD REAL	GRUPO DINFOR ALCÁZAR	926/ 54.55.62	926/54.57.67	C/ DR. BONARDELL, 37	13600
CIUDAD REAL	CIUDAD REAL	GRUPO DINFOR C. REAL	926/ 25.42.25	926/23.04.94	C/. TOLEDO, 34	13003
CÓRDOBA	CÓRDOBA	SETESUR ANDALUCIA, S.L.	957/ 43.80.09	957/43.92.04	C/. ESCRITOR TOMÁSÁNCHEZ, 3	14014
GIRONA	GIRONA	PROJECTES COM-TECH, S.L.	972/ 24.11.35	972/40.11.85	PLAZA DE LA ASUNCION, 35	17005
GRANADA	GRANADA	INTELCO ASISTENCIA TÉCNICA, S.L.	958/ 13.21.79	958/13.22.09	C/ PRIMAVERA, 20	18008
SAN SEBASTIAN	GUIPUZCOA	ELECTRÓNICA GUIPUZCOANA	943/ 46.86.40	943/45.57.01	C/ BALLENEROS, 4 BAJOS	20011
HUELVA	HUELVA	INTERDATA	959/ 54.38.82	959/54.37.07	C/. CONDE DE LÓPEZ MUÑOZ, 32	21006
LA CORUÑA	LA CORUÑA	HARDTEC GALICIA	981/ 23.79.54	981/24.76.92	AV. LOS MALLOS, 87, BJO. B	15007
LOGROÑO	LA RIOJA	REYMAR, S.L.	941/ 24.26.11	941/25.03.12	C/. ALBIA DE CASTRO, 10	26003
LEÓN	LEÓN	MACOISAT, S.L.	987/ 26.25.50	987/26.29.52	AV. FERNÁNDEZ LADREDA, 27, BJO.	24005
LEÓN	LEÓN	PROSYSTEM	987/ 22.11.97	987/24.88.97	C/. JUAN DE LA COSA, 14	24009
TORREFARRERA	LLEIDA	RICOMACK, S.A.	973/ 75.15.33	973/75.16.21	POL. IND. DEL SEGRIÀ, S/N	25126

LUGO	LUGO	LABEL MICROHARD, S.L.	982/20.37.15	982/20.37.15	C/. ESCULTOR ASOREI, 1, B.JOS.	27004
MADRID	MADRID	GRUPO PENTA, S.A.	91/543.73.03	91/543.53.04	C/ BLASCO DE GARAY, 63	28015
MADRID	MADRID	MICROMA, S.A.	91/304.68.00	91/327.39.72	C/ STA. LEONOR, 61	28037
MADRID	MADRID	SETECMAN, S.L.	91/571.54.06	91/572.22.40	C/ INFANTA MERCEDES, 31 1º	28020
MADRID	MADRID	BS MICROTEC MADRID, S.L.	91/713.07.21	91/713.07.23	C/. SANCHO DÁVILA, 21, LOCAL	28028
MADRID	MADRID	TEDUIN, S.A.	91/327.53.00	91/327.05.00	C/ALBALÁ, 10	28037
MÁLAGA	MÁLAGA	COVITEL MÁLAGA	95/231.62.50	95/233.98.50	C/ CERAMISTAS, 8. P. IND. SAN RAFAEL	29006
MÁLAGA	MÁLAGA	CENTRO DE REPARACIONES INFORMATICAS	95/260.26.60	95/260.27.89	C/. FLAUTA MÁGICA, S/N.N-6, P.ALAMEDA	29006
MELILLA	MÁLAGA	NODO INFORMÁTICA	95/267.53.14	95/267.91.37	C/. QUEROL, 22	52004
MURCIA	MURCIA	RED TECNICA EUROPEA, S.L.	968/27.18.27	968/27.02.47	AV. RONDA DE LEVANTE, 43, BJO.	30008
PAMPLONA	NAVARRA	INFORMÉTRICA IRUÑA, S.L.	948/27.98.12	948/27.92.89	ERMITAGAÑA, 1 BAJOS	31008
VIGO	PONTEVEDRA	SERVICIOS INFORMÁTICOS DEL ATLÁNTICO, S.L	986/26.62.80	986/26.77.51	C/ PÁRROCO JOSÉ OTERO, 3	36206
VIGO	PONTEVEDRA	DUPLEX, S.L.	986/41.17.72	986/41.17.72	C/. CONDESA CASA BÁRCENA, 5	36204
SALAMANCA	SALAMANCA	EPROM-1	923/18.58.28	923/18.69.98	C/ COLOMBIA, 32	37003
SEVILLA	SEVILLA	AMJ TECNOLAN, S.L.	95/491.57.91	95/491.52.14	AV. CJAL. ALBERTO JNEZ. BEC., 6. AC. D	41009
TARRAGONA	TARRAGONA	TGI (TECNOLOGIA I GESTIÓ INFORM. S.L.)	977/23.56.11	977/21.25.12	AV. FRANCESC MACIÀ, 8 D BAIXOS	43002
VALENCIA	VALENCIA	ATRON INGENIEROS, S.A.	96/385.00.00	96/384.92.07	C/ HÉROE ROMEU, 8 B	46008

VALENCIA	VALENCIA	GINSA INFORMÁTICA, S.A.	96/ 362.21.15	96/393.26.96	C/ ERNESTO FERRER, 16 B	46021
VALLADOLID	VALLADOLID	ARAQUE PRINT, S.L.	983/ 20.76.12	983/30.95.05	BAILARÍN VICENTE ESCUDERO, 2	47005
BILBAO	VIZCAYA	DATA SERVICE, S.L.	94/ 446.79.86	94/446.79.87	C/ MATICO, 29	48007
BILBAO	VIZCAYA	TECNIMAC	94/ 410.63.00	94/470.24.23	C/. MONTE INCHORTA, 1	48003
ZARAGOZA	ZARAGOZA	OFYSAT, S.L.	976/ 30.40.10	976/32.03.73	C/ ANTONIO SANGENÍS, 16	50050
ZARAGOZA	ZARAGOZA	INSTRUMENTACI ÓN Y COMPONENTES , S.A.	976/ 01.33.00	976/01.09.77	ED. EXPO ZARAGOZA,CRTA .MADRID, S/N KM. 315, N-3, PTA. 1	50014

United Kingdom

EPSON (UK) Ltd.

Campus 100, Maylands Avenue,

Hemel Hempstead, Hertfordshire HP2 7TJ

United Kingdom

Tel.: +44 (0) 1442 261144

Fax: +44 (0) 1422 227227

www.epson.co.uk

Stylus Products Warranty & Support

08705 133 640

Scanner Products Warranty & Support

08702 413 453

Sales

0800 220 546

Republic of Ireland

Stylus Products Warranty & Support

01 679 9016

Other Products Warranty & Support

01 679 9015

Sales

1 800 409 132

www.epson.co.uk

Italy

EPSON Italia S.p.a.

Via M. Viganò de Vizzi, 93/95

20092 Cinisello Balsamo (MI)

Tel. 02.660.321

Fax. 02.612.36.22

Assistenza e Servizio Clienti

TECHNICAL HELPDESK

02.268.300.58

www.epson.it

ELENCO CENTRI ASSISTENZA AUTORIZZATI EPSON

<p>AEM SERVICE S.R.L. Via Verolengo, 20 00167 ROMA Tel : 06-66018020 Fax : 06-66018052</p>	<p>ELECTRONIC ASSISTANCE CENTRE Via Bazzini, 17 20131 MILANO Tel : 02-70631407 Fax : 02-70631301</p>	<p>QUAIZ S.N.C. Via San Paolo, 5/h Loc. Badia a Settimo 50018 SCANDICCI (FI) Tel : 055-720561 Fax : 055-720180</p>
<p>A.T.E.S. ELETTRONICA S.R.L. Via Lulli, 28/b 10148 TORINO Tel : 011-2202525 Fax : 011-2204280</p>	<p>ELETTRONICA CAROLINA ALOISIO & C. S.A.S. Via Generale Arimondi, 99 90143 PALERMO Tel : 091-308118 Fax : 091-6263484</p>	<p>QUICK COMPUTER SERVICE Viale Louise Pasteur, 23 a/b/c 70124 BARI Tel : 080-5044351 Fax : 080-5618810</p>
<p>A.T.S. S.N.C. Via della Repubblica, 35 a/b/c 40127 BOLOGNA Tel : 051-515313 Fax : 051-513241</p>	<p>GSE S.R.L. Via Rimassa, 183r 13129 GENOVA Tel : 010-5536076 Fax : 010-5536113</p>	<p>QUICK COMPUTER SERVICE Via P. Manerba, 12 71100 FOGGIA Tel : 0881-331123 Fax : 0881-339133</p>
<p>A.T.S. S.N.C. Via dell'Artigianato, 4 09125 CAGLIARI Tel: 070-2110244 Fax: 070-2110260</p>	<p>HARD SERVICE S.R.L. Z.A.3 Via del progresso, 2 35010 PERAGA DI VIGONZA (PD) Tel : 049-8933951 Fax : 049-8933948</p>	<p>RAVEZZI ANGELO HARDWARE SERVICE Via Avogadro, 6/10 47037 RIMINI Tel : 0541-373686 Fax : 0541-374844</p>
<p>C.A.M.U. S.N.C. Via Grandi, 4 33170 PORDENONE Tel : 0434-572949 Fax : 0434-573005</p>	<p>INFORMAINT S.N.C. Via Prunizedda, 94 07100 SASSARI Tel / Fax: 079-290953</p>	<p>REGA ELETTRONICA S.N.C. Via Gentileschi, 25/27 56123 PISA Tel : 050-560151 Fax : 050-560135</p>

COMPUTER ASSISTANCE S.A.S. 1a Traversa Via del Gallitello 85100 POTENZA Tel: 0971-489973 Fax: 0971-476892	INFORMAINT S.N.C. Filiale di Olbia Via Monte Pasubio, 22 07026 OLBIA Tel: 0789-23786 Fax: 0789-203891	S.T.E. S.N.C. di Ciarrocchi A. & C. Via Settimo Torinese, 5 65016 MONTESILVANO (PE) Tel : 085-4453664 Fax : 085-4456860
COMPUTER LAB S.N.C. Via Quaranta, 29 20141 MILANO Tel : 02-5391224 Fax : 02-5695198	JAM S.R.L. Piazza Principale, 9 39040 ORA* AUER (BOLZANO) Tel : 0471-810502 Fax : 0471-811051	TECMATICA S.R.L. Via S. Bargellini, 4 00157 ROMA Tel : 06-4395264 Fax : 06-43534628
COMPUTER LAB S.N.C. Via Pelizza da Volpedo, 1 20092 CINISELLO BALSAMO (MI) Tel : 02-6174175 Fax : 02-6127926	LYAN S.N.C. Via Vercelli, 35 S.S. 230 13030 VERCELLI Loc. Caresanablot Tel : 0161/235254 Fax : 0161/235255	TECNOASSIST S.N.C. Via Roma, 44/d 22046 MERONE (CO) Tel : 031-618605 Fax : 031-618606
COMPUTER LAB S.N.C. Via F.lli Calvi, 4 24122 BERGAMO Tel : 035-4243216 Fax : 035-238424	LYAN S.N.C. Via Camillo Riccio, 72 10135 TORINO Tel: 011-3471161 Fax: 011-3470338	TECNOASSIST S.N.C. Via C. Cattaneo, 9 21013 GALLARATE (VA) Tel : 0331-791560 Fax : 0331-793882
COMPUTER SERVICE 2 S.N.C. Via Divisione Acqui, 70 25127 BRESCIA Tel : 030-3733325 Fax: 030-3733130	MEDIEL S.N.C. Via Ugo Bassi, 34 98123 MESSINA Tel : 090-695962 / 695988 Fax : 090-694546	TECNOASSIST S.N.C. Via F.lli Rosselli 20 20016 PERO - Loc. Cerchiate (MI) Tel : 02-33913363 Fax : 02-33913364

<p>COMPUTER SERVICE 2 S.N.C. Via V. Guindani, 10 26100 CREMONA Tel/Fax : 0372-435861</p>	<p>MEDIEL S.N.C. filiale di Catania Via Novara, 9 95125 CATANIA (CT) Tel : 095-7169125 Fax : 095-7160889</p>	<p>TECNO STAFF S.R.L. Via Vivaldi, 19 00199 ROMA Tel : 06-8606173 Fax : 06-86200117</p>
<p>COMPUTER SERVICE 2 S.N.C. Via P. Savani, 12/C 43100 PARMA Tel : 0521-941887 Fax : 0521-940757</p>	<p>MEDIEL S.R.L. Via S. Caterina, 14 89121 REGGIO CALABRIA Tel : 0965-654711 Fax : 0965-654996</p>	<p>TECNO STAFF S.R.L. Via A. Manzoni, 263/265 06087 PONTE S.GIOVANNI (PG) Tel : 075-5997381 Fax : 075-5999623</p>
<p>COMPUTER SERVICE 2 S.N.C. Via Mantovana, 127/D 37137 VERONA Tel : 045/8622929 Fax : 045/8625007</p>	<p>MICROTECNICA S.N.C. Via Lepanto, 83 80125 NAPOLI Tel : 081-2394460 Fax : 081-5935521</p>	<p>TUSCIA TECNO STAFF S.R.L. Via Cardarelli, 14 01100 VITERBO Tel : 0761-270603 Fax : 0761-274594</p>
<p>CONERO DATA S.A.S. Via della Repubblica, 7 60020 SIROLO (AN) Tel/Fax : 071-9331175</p>	<p>PRINTER SERVICE S.R.L. Fil. Cosenza Via Londra, 3 87036 RENDE (CS) Tel: 0984-837872 Fax: 0984-830348</p>	
<p>DATA SERVICE S.R.L. Via S. Allende, 22a 50018 SCANDICCI (FI) Tel : 055-250752 Fax : 055-254111</p>	<p>PRINTER SERVICE S.R.L. Via U. Boccioni, 25/27 88048 S.Eufemia LAMEZIA TERME (CZ) Tel : 0968-419276 Fax : 0968-419109</p>	

Portugal

EPSON Portugal, S.A.

Rua Gregório Lopes Lote 1514 Restelo

1400 - 197 Lisboa

Tel.: 21 303 54 00

Fax: 21 303 54 90

Serviço de Apoio a Clientes
707 222 000

www.epson.pt

Austria

EPSON Deutschland GmbH

Service & Support

0810-200113

Monday to Friday: 9 a.m. to 9 p.m.

Saturday to Sunday: 10 a.m. to 4 a.m.

Public holidays: 10 a.m. to 4 p.m.

(0,7 E per minute)

www.epson.at/support/

Netherlands

EPSON Deutschland GmbH

Service & Support

043-3515762

Monday to Friday: 9 a.m. to 9 p.m.

Saturday to Sunday: 10 a.m. to 4 a.m.

Public holidays: 10 a.m. to 4 p.m.

www.epson.nl/support/

Belgium

EPSON Deutschland GmbH

Service & Support

070-222082

Monday to Friday: 9 a.m. to 9 p.m.

Saturday to Sunday: 10 a.m. to 4 a.m.

Public holidays: 10 a.m. to 4 p.m.

(9 a.m. to 6 p.m.: 0,1735 E per minute,
remaining time: 0,0868 E per minute)

www.epson.be/support/

www.epson.be/nl/support/

Denmark

Warranty & Support

80 88 11 27

Sales

38 48 71 37

www.epson.dk

Finland

Warranty & Support

0800 523 010

Sales

(09) 8171 0083

www.epson.fi

Croatia

RECRO d.d.

Trg Sportova 11

10000 Zagreb

Tel.: 00385 1 3091090

Fax: 00385 1 3091095

Email: servis@recro.hr

www.epson@recro.hr

Macedonia

DIGIT COMPUTER ENGINEERING

3 Makedonska brigada b.b

upravna zgrada R. Konkar -

91000 Skopje

Tel.: 00389 91 463896 oppure

00389 91 463740

Fax: 00389 91 465294

E-mail: digits@unet.com.mk

REMA COMPUTERS

Str. Kozara, 64-B-11-

1000 Skopje

Tel.: 00389 91 118 159 oppure

00389 91 113 637

Fax: 00389 91 214 338

E-mail: slatanas@unet.com.mk oppure

www.rema@unet.com.mk

Slovenia

REPRO LJUBLJANA d.o.o.

Smartinska 106

1000 Ljubljana

Tel.: 00386 1 5853417

Fax: 00386 1 5400130

E-mail: bojan.zabnikar@repro.si

Luxemburg

EPSON Deutschland GmbH

Service & Support

0352-26483302

Monday to Friday: 9 a.m. to 9 p.m.

Saturday to Sunday: 10 a.m. to 4 a.m.

Public holidays: 10 a.m. to 4 p.m.

(9 a.m. to 6 p.m.: 0,1435 E per minute,

remaining time: 0,0716 E per minute)

<http://www.epson.de/eng/support/>

Switzerland

EPSON Deutschland GmbH

Service & Support

0848-448820

Monday to Friday: 9 a.m. to 9 p.m.

Saturday to Sunday: 10 a.m. to 4 a.m.

Public holidays: 10 a.m. to 4 p.m.

(CH local tariff)

www.epson.ch/support/

www.epson.ch/fr/support/

Hungary

EPSON Deutschland GmbH

Service & Support

0680014-783

Monday to Friday: 9 a.m. to 5.30 p.m

www.epson.hu/support/

Slovak Republic

EPSON Deutschland GmbH

Service & Support

++421 02 52625241

Monday to Friday: 8.30 a.m. to 5 p.m.

<http://www.epson.sk/support/>

Czek. Republic

EPSON Deutschland GmbH

Service & Support

00420-800142052

Monday to Friday: 9 a.m. to 5.30 p.m

www.epson.cz/support/

Norway

Warranty & Support

800 11 828

Sales

23 16 21 24

www.epson.no

Sweden

Warranty & Support

08 445 12 58

Sales

08 519 92 082

www.epson.se

Yugoslavia

BS PPROCESSOR d.o.o.

Hazdi Nikole Zivkovic 2

Beograd-F.R.

Tel.: 00381 11 328 44 88

Fax: 00381 11 328 18 70

E-mail: vule@bsprocesor.com;

www.goran@bsprocesor.com

www.gorangalic@sezampro.yu

Greece

POULIADIS ASSOCIATES CORP.

142, Sygrou Avenue

176 71 Athens

Tel.: 0030 1 9242072

Fax: 0030 1 9241066

E-mail: k.athanasiadis@pouliadis.gr

Turkey

ROMAR PAZARLAMA SANAYI VE TICARET A.S.

Rihtim Cad. Tahir Han No. 201

Karaköy 80030 Istanbul

Tel.: 0090 212 252 08 09 (ext:205)

Fax: 0090 212 252 08 04

E-mail: zozenoglu@romar.com.tr

PROSER ELEKTRONIK SANAYI VE TICARET LIMITEDN SIRKETI

Inönü Caddesi,

Teknik Han, No 72 Kat 3,

Gümüssüyü Istanbul

Tel.: 0090 212 252 17 67

Email: okyay@turk.net

DATAPRO BILISIM HIZMETLERI SAN VE TICARET LTD.STI

Gardenya Plaza 2,

42-A Blok Kat:20 -

Atasehir Istanbul

Tel.: 0090 216 617775

E-mail: cem.kalyoncu@datapro.com.tr

ISTANBUL

Bilgisayar Hastanesi

Inönü Cad. No:72 Teknik Han Kat:3 80090
Gümüssuyu-Taksim/Istanbul

Tel : 0 212 252 17 67

Fax : 0 212 244 54 79

E-Mail : epson@bilgisayarhastanesi.com

Datapro

Alemdag cad. Bayir Sok. No:5/3 Kisikli/Istanbul

Tel : 0 216 461 77 75

Fax : 0 216 344 77 35

E-Mail : epson@datapro.com.tr

Romar

Rihtim Cad. 201 Tahir Han Karaköy 80030 Istanbul

Tel : 0 212 252 08 09

Fax : 0 212 252 08 04

E-Mail : romar@romar.com.tr

ADANA

Datapro

Baraj yolu 2 , 5 durak yeniçeri apt. 615 .sok 2 /b Adana

Tel : 0 322 459 30 16

Fax : 0 322 459 94 93

E-Mail : epson@datapro.com.tr

Bilgisayar Hastanesi

Toros Cd. Doktorlar Sitesi Asma Kat No:39 Seyhan/ Adana

Tel : 0 322 459 87 27

Fax : 0 322 459 87 28

E-Mail : adana@bhtemsilcilik.net

ANKARA

Bilgisayar Hastanesi

Akay Caddesi No: 22/22 Kavaklıdere / Ankara

Tel : 0 312 417 16 40

Fax : 0 312 417 50 88

E-Mail : ankara@bhtemsilcilik.net

Datapro

Çetin Emeç Bulvarı - 2.Cad. 28/1 Asagiöveçler/Ankara

Tel : 0 312 482 03 28

Fax : 0 312 4823754

E-Mail : epson@datapro.com.tr

Romar

Osmanlı Caddesi No:29 Balgat /Ankara

Tel: 0 312 2874676 (PBX)

Fax: 0 312 2874588

E-Mail : romar@romar.com.tr

ANTALYA

Bilgisayar Hastanesi

Y.Ulusoy Bulvari-86.Sok. No:24/33 Antalya

Tel: 0 242 248 50 10

Fax: 0 242 248 50 09

E-Mail : antalya@bhtemsilcilik.net

Romar

Burhanettin Onat Cad. Zerdalelik Mah. Ekinciler sitesi A blok
N.120/A Antalya

Tel : 0 242 312 95 45

Fax : 0 242 312 69 26

E-Mail : romarantalya@romar.com.tr

BURSA

Bilgisayar Hastanesi

Nalbantoglu Taskapi Sk. Genç Osman 2 Is Hani K:3 D:4 Bursa

Tel: 0 224 225 36 44

Fax: 0 224 224 66 93

E-Mail : bursa@bhtemsilcilik.net

Datapro

Fevzi Çakmak Caddesi Burçin III. Is merkezi No: 54 Kat: 4 Daire:
412 Fomara / BURSA

Tel: 0 224 225 29 47

Fax : 0 224 225 29 48

E-Mail : epson@datapro.com.tr

DENIZLI

Bilgisayar Hastanesi

Murat dede mahellesi, 357. sokak No 8/b Denizli4 Çesme mevki

Tel : 0 258 241 97 41

Fax : 0 258 242 1148

E-Mail : denizli@bhtemsilcilik.net

DIYARBAKIR

Bilgisayar Hastanesi

Ekinciler Cad. Azc Plaza K:3 No:7 Diyarbakir

Tel : 0 412 223 60 60

Fax : 0 412 222 50 96

E-Mail : diyarbakir@bhtemsilcilik.net

ERZURUM

Bilgisayar Hastanesi

Çaykara Cad. Sümbül Sok. Fatih Apt No:1 Erzurum

Tel : 0 442 235 46 50

Fax : 0 442 230 31 44

E-Mail : erzurum@bhtemsilcilik.net

GAZIANTEP

Romar

Gazi Muhtarpassa Bulvari Buhara Is Merkezi 1 Kat N. 48
Gaziantep

Tel : 0 342 215 06 31

Fax : 0 342 215 06 32

E-Mail : romargantep@romar.com.tr

IZMIR

Bilgisayar Hastanesi

1372 Sok. No:24 K:3 D:4-5-6 Çankaya/ Izmir

Tel: 0 232 445 80 79

Fax: 0 232 445 80 79

E-Mail : izmir2@bhtemsilcilik.net

Datapro

Sair Esref Bulvari No: Kat 5 Daire 503

Ragip Sanli Is Merkezi

Izmir

Tel : 0 232 4413244

Fax : 0 232 4413245

E-Mail : epon@datapro.com.tr

Romar

İşçiler Cad. Key Plaza No:147/D Alsancak 35220 Izmir

Tel : 0 232 463 39 74

Fax: 0 232 463 39 75

E-Mail : romar@romar.com.tr

KOCAELI

Bilgisayar Hastanesi

Güzeller Mahellesi, Bagdat Caddesi No 195 Gebze/Kocaeli

Tel : 0 262 643 65 66

Fax : 0 262 643 65 67

E-Mail : kocaeli@bhtemsilcilik.net

KONYA

Bilgisayar Hastanesi

Nisantasi Mah. Tamer Sk. Bulus Sit. C Blok 9/A 42060
Selçuklu/Konya

Tel : 0 332 238 91 31

Fax : 0 332 238 91 32

E-Mail : konya@bhtemsilcilik.net

MERSIN

Bilgisayar Hastanesi

İstiklal Cad. 33 Sok. Bina:8 D:1 33000 Mersin

Tel : 0324 237 84 01

Fax : 0324 237 86 99

E-Mail : mersin@bhtemsilcilik.net

SAMSUN

Bilgisayar Hastanesi

Çiftlik Mah Sefa Sok. Ayazoglu Apt. 17/1 Samsun

Tel : 0 362 231 77 12

Fax : 0 362 234 46 74

E-Mail : samsun@bhtemsilcilik.net

4

TEKIRDAG

Bilgisayar Hastanesi

Omurtak Cad. Ist. Kismi Peksoy Apt. No:58/8 Çorlu/Tekirdag

Tel : 0 282 651 71 81

Fax : 0 282 652 28 35

E-Mail : tekirdag@bhtemsilcilik.net

TRABZON

Bilgisayar Hastanesi

Kahramanmaras Cad. Ticaret Mektep Sok. No:7/A Trabzon

Tel : 0 462 326 6642

Fax : 0 462 321 7014

E-Mail : trabzon@bhtemsilcilik.net

Cyprus

INFOTEL LTD.

Stavrou Avenue

Marlen Cart

Office 101-102

Stovolos

2035 Nicosia

Tel.: 00357 2 368000

Fax: 00357 2 518250

E-mail: yannis.k@infotel.com.cy;

george.p@infotel.com.cy

Pouliadis Associated Cyprus Ltd

75, Limassol Avenue

2121 Nicosia

Tel. +357 2 490209

Fax +357 2 490240

Poland

EPSON Deutschland GmbH

Service & Support

00800-4911299

Monday to Friday: 9 a.m. to 5.30 p.m

www.epson.pl/support/

Bulgaria

EPSON Deutschland GmbH

Service & Support

www.epson.bg/support/

Romania

EPSON Deutschland GmbH

Service & Support

+40 212305384115

Monday to Friday: 8.30 a.m. to 5.30 p.m.

www.epson.ro/support/

Estonia

EPSON Deutschland GmbH

Service & Support

+372 6 718 166

Monday to Friday: 9 a.m. to 6 p.m.

<http://www.epson.ee/support/>

Latvia

EPSON Deutschland GmbH

Service & Support

+371 7286496

Monday to Friday: 9 a.m. to 6 p.m.

<http://www.epson.lv/support/>

Lithuania

EPSON Deutschland GmbH

Service & Support

8-37-400088

Monday to Friday: 8.30 a.m. to 5.30 p.m.

<http://www.epson.lt/support/>

Israel

Warranty & Support

04 8 560 380

www.epson.com

Middle East

Warranty & Support

+ 971 (0) 4 352 44 88 or 351 77 77

www.epson.com

Email Warranty & Support:

epson-support@compubase.co.ae

South Africa

Warranty & Support

(011) 444 8278 / 91 or 0800 600 578

For details of EPSON Express centres and Service Repair centres
<http://www.epson.co.za/support/index.htm>

Sales

(011) 262 9200 or 0800 00 5956

www.epson.co.za/

Bosnia Herzgovina

RECOS d.o.o.

Vilsonovo setaliste 10

71000 Sarajevo

Tel.: 00387 33 657 389

Fax: 00387 33 659 461

E-mail: recos@bih.net.ba oppure

www.edin@recos.ba

Argentina

EPSON ARGENTINA S.A.

Avenida Belgrano 964/970

(1092), Buenos Aires

Tel.: (54 11) 4346-0300

Fax: (54 11) 4346-0333

www.epson.com.ar

Brazil

EPSON DO BRASIL LTDA.

Av. Tucunaré, 720 Tamboré Barueri,

São Paulo, SP 06460-020

Tel.: (55 11) 7296-6100

Fax: (55 11) 7295-5624

www.epson.com.br

Chile

EPSON CHILE, S.A.

La Concepción 322

Providencia, Santiago

Tel.: (56 2) 236-2453

Fax: (56 2) 236-6524

www.epson.cl

Colombia

EPSON COLOMBIA, LTDA.

Diagonal 109 No. 15-49

Bogotá, Colombia

Tel.: (57 1) 523-5000

Fax: (57 1) 523-4180

www.epson.com.co

Costa Rica

EPSON COSTA RICA, S.A

Embajada Americana, 200 Sur y 300 Oeste

San José, Costa Rica

Tel.: (50 6) 296-6222

Fax: (50 6) 296-6046

www.epsoncr.com

4

Mexico

EPSON MÉXICO, S.A. de C.V.

Av. Sonora #150

México, 06100, DF

Tel.: (52 5) 211-1736

Fax: (52 5) 533-1177

www.epson.com.mx

Peru

EPSON PERÚ, S.A.

Av. Del Parque Sur #400

San Isidro, Lima, Perú

Tel.: (51 1) 224-2336

Fax: (51 1) 476-4049

www.epson.com

Venezuela

EPSON VENEZUELA, S.A.

Calle 4 con Calle 11-1

La Urbina Sur Caracas, Venezuela

Tel.: (58 2) 240-1111

Fax: (58 2) 240-1128

www.epson.com.ve

USA (Latin America)

EPSON LATIN AMERICA

6303 Blue Lagoon Dr., Ste. 390

Miami, FL 33126

Tel.: (1 305) 265-0092

Fax: (1 305) 265-0097

USA

EPSON AMERICA, INC

3840 Kilroy Airport Way

Long Beach, CA 90806

Tel.: (1 562) 981-3840

Fax: (1 562) 290-5051

www.epson.com

Chapter 5

Options and Consumables

Ribbon Cartridge	118
Genuine EPSON ribbon cartridge	118
Replacing the ribbon cartridge	118
Print Server	122



Ribbon Cartridge

Genuine EPSON ribbon cartridge

When printing becomes faint, you need to replace the ribbon cartridge. Genuine EPSON ribbon cartridges are designed and manufactured to work properly with your EPSON printer. They ensure proper operation and long life of the print head and other printer parts. Other products not manufactured by EPSON may cause damage to your printer, which is not covered by EPSON's warranties.

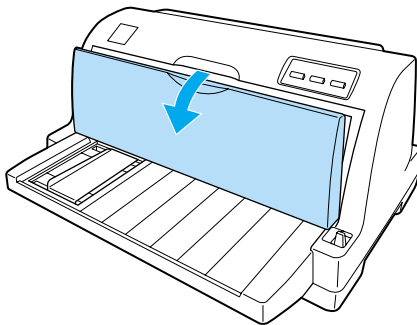
Your printer uses the following ribbon cartridge:

EPSON black ribbon cartridge: S015290

Replacing the ribbon cartridge

Follow these steps to replace a used ribbon cartridge:

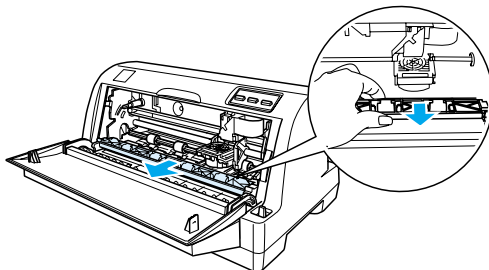
1. Make sure the printer is turned off.
2. Open the printer cover by holding the finger grip on the center of the cover and pull it down.



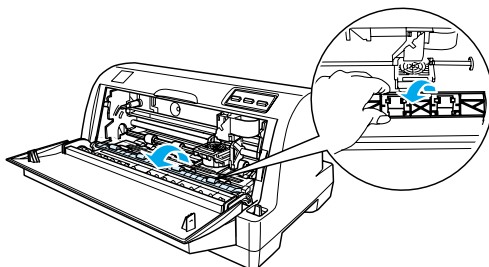
Warning:

If you have just used the printer, the print head may be hot; let it cool for a few minutes before replacing the ribbon cartridge.

3. Pull the paper bail forward.



4. Flip the paper bail towards you.



Note:

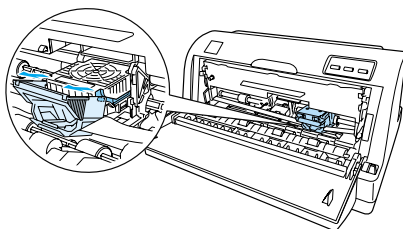
When it is difficult to open the paper bail because of the position of the print head, close the printer cover. Then, turn on the printer and the print head moves to the right automatically. After that, turn the printer off again.



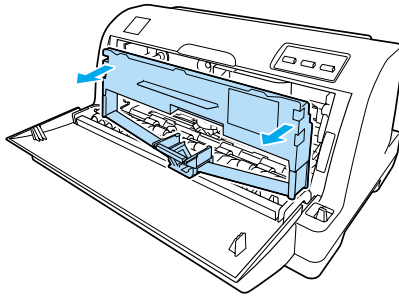
Caution:

Turn the printer off before following the steps below. Doing so while the printer is turned on can damage the printer.

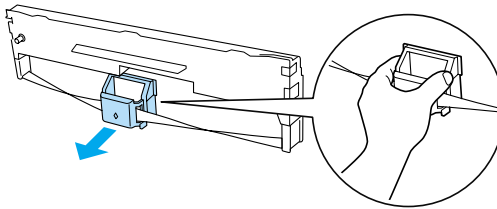
5. Grasp the ribbon guide and pull it until it is out of the print head.



6. Hold both ends of the cartridge and pull it out of the printer.

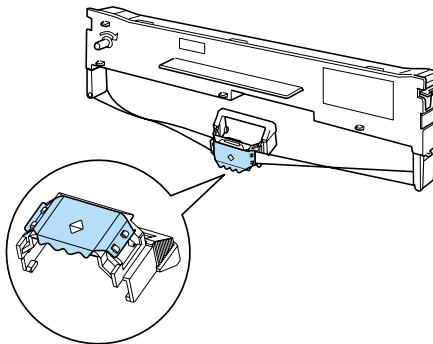


7. Remove the new ribbon cartridge from its package.
8. Hold both sides of the ribbon guide and pull it until it is out of the cartridge.

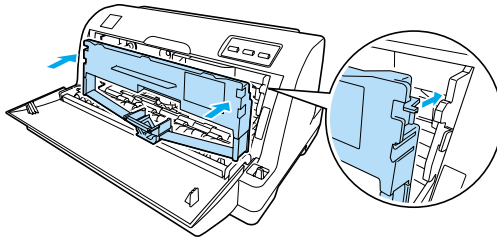


Caution:

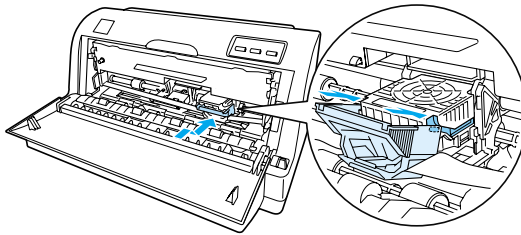
*Do not tear off the clear film on the ribbon guide.
Doing so may cause paper jams or printer malfunctions.*



9. Hold the ribbon cartridge and insert it into the printer as shown below; then press both sides of the cartridge firmly to fit the plastic hooks into the printer slots.



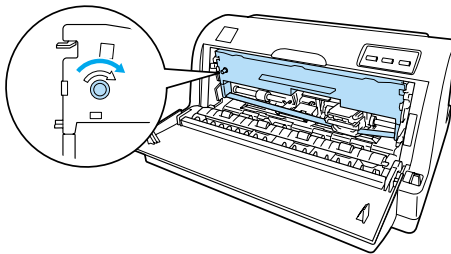
10. Slide it into the print head aligning it with the grooves of the print head until it clicks in place.



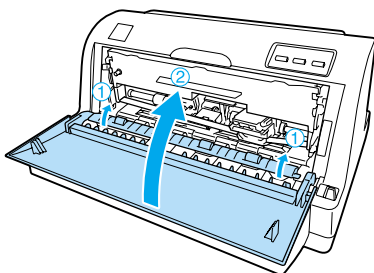
Note:

Be sure that the ribbon is not twisted when you slide the ribbon guide into the print head.

11. Turn the ribbon-tightening knob to remove any slack in the ribbon so that the ribbon moves freely.



12. Close the paper bail and the printer cover.



Print Server

You can use this printer as a network printer by installing a print server in the printer's interface port. See the Administrator's Manual packaged with this option for instructions on installation and use.

The following Printer Servers can be used for LQ-630 only:

- EpsonNet 10/100 BASE Tx Ext. Print Server (C82378*)

The following Printer Servers can be used for LQ-630 and LQ-630S:

- EpsonNet 10/100 BASE Tx USB Print Server (C82402*)
- EpsonNet 802.11b Wireless Ext. Print Server*

* The availability of this option varies by location.

Product Information

Safety Instructions	124
Warnings, cautions, and notes	124
Hot parts caution symbol	124
Important safety instructions	124
For United Kingdom users	126
Printer Parts	128
Printer Specifications	129
Mechanical	129
Electronic	131
Electrical	133
Environmental	133
Paper	133
Printable area	142
Standards and Approvals	143
Command Lists	144
EPSON ESC/P 2 control codes	144
IBM PPDS Emulation Control Codes	145
Cleaning the Printer	146
Transporting the Printer	147



Safety Instructions

Warnings, cautions, and notes



Warnings must be followed carefully to avoid bodily injury.



Cautions must be observed to avoid damage to your equipment.

Notes contain important information and useful tips on the operation of your printer.

Hot parts caution symbol



This symbol is placed on the print head and other parts to indicate that they may be hot. Never touch those parts just after the printer has been used. Let them cool for a few minutes before touching them.

Important safety instructions

Read all of these safety instructions before using the printer. In addition, follow all warnings and instructions marked on the printer itself.

- Do not place the printer on an unstable surface or near a radiator or heat source.
- Place the printer on a flat surface. The printer will not operate properly if it is tilted or placed at an angle.
- Do not block or cover the slots and openings in the printer's cabinet, and do not insert objects through the slots.
- Use only the type of power source indicated on the printer's label.
- Connect all equipment to properly grounded power outlets. Avoid using outlets on the same circuit as photocopiers or air control systems that regularly switch on and off.

- ❑ Do not use a damaged or frayed power cord.
- ❑ If you use an extension cord with the printer, make sure the total ampere rating of all devices plugged into the extension cord does not exceed the cord's ampere rating. Also, make sure the total ampere of all devices plugged into the wall outlet does not exceed the wall outlet's ampere rating.
- ❑ Unplug the printer before cleaning it, and always clean it with a piece of damp cloth only.
- ❑ Replace fuses only with a fuse of the correct size and rating.
- ❑ Do not spill liquid onto the printer.
- ❑ Except as specifically explained in this guide, do not attempt to service the printer yourself.
- ❑ Unplug the printer and refer servicing to qualified service personnel under the following conditions:
 - i. If the power cord or plug is damaged.
 - ii. If liquid has entered the printer.
 - iii. If the printer has been dropped or the cabinet damaged.
 - iv. If the printer does not operate normally or exhibits a distinct change in performance.
- ❑ Adjust only those controls that are covered by the operating instructions.
- ❑ If you plan to use the printer in Germany, observe the following:

To provide adequate short-circuit protection and over-current protection for this printer, the building installation must be protected by a 10- or 16-amp circuit breaker.

Note for German-speaking users:

Bei Anschluss des Druckers an die Stromversorgung muss sichergestellt werden, dass die Gebäudeinstallation mit einer 10 A- oder 16 A-Sicherung abgesichert ist.



ENERGY STAR® compliance



As an ENERGY STAR® Partner, EPSON has determined that this product meets the ENERGY STAR® guidelines for energy efficiency.

The International ENERGY STAR® Office Equipment program is a voluntary partnership with the computer and office equipment industry to promote the introduction of energy-efficient personal computers, monitors, printers, fax machines, copiers, and scanners in an effort to reduce air pollution caused by power generation.

For United Kingdom users

Use of options

Epson (UK) Limited shall not be liable against any damages or problems arising from the use of any options or consumable products other than those designated as Original EPSON Products or EPSON Approved Products by Epson (UK) Limited.

Safety information



Warning:

This appliance must be earthed. Refer to the rating plate for voltage and check that the appliance voltage corresponds to the supply voltage.

Important:

The wires in the mains lead fitted to this appliance are coloured in accordance to the following code:

Green and yellow — Earth

Blue — Neutral

Brown — Live

If you have to fit a plug:

As the colours of the mains lead of this appliance may not match coloured markings used to identify the terminals in a plug, please proceed as follows:

The green and yellow wire must be connected to the terminal in the plug which is marked with the letter *E* or the Earth symbol (\perp).

The blue wire must be connected to the terminal in the plug marked with the letter *N*.

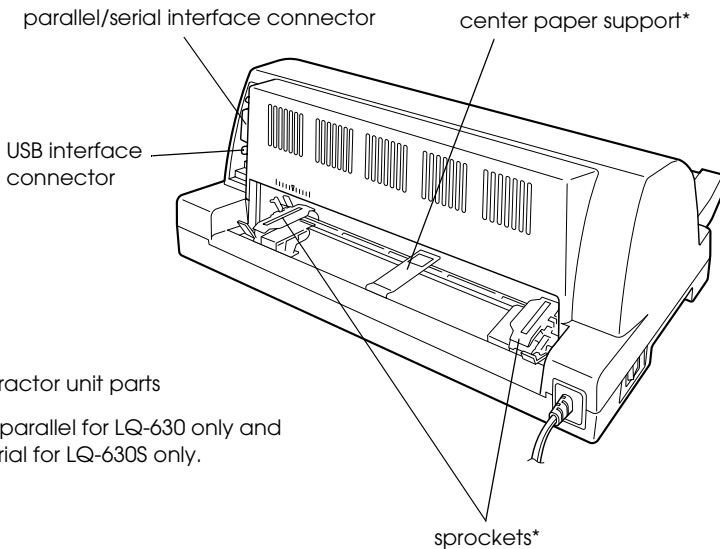
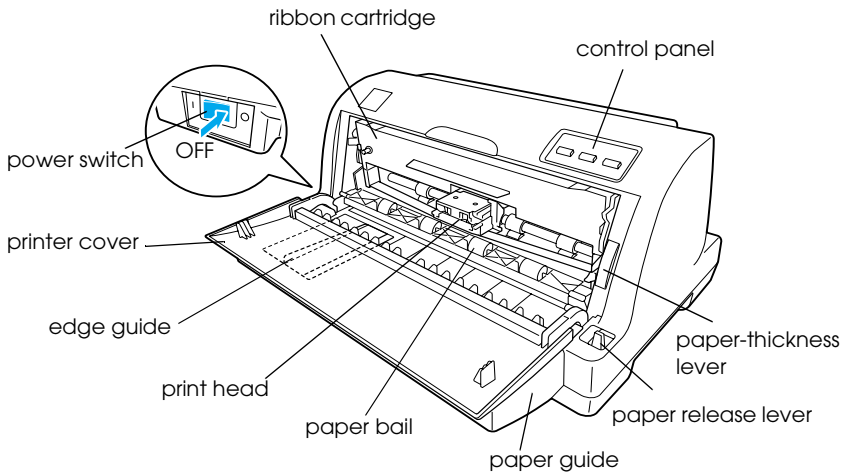
The brown wire must be connected to the terminal in the plug marked with the letter *L*.

If damage occurs to the plug, replace the cord set or consult a qualified electrician.



A

Printer Parts



Printer Specifications

Mechanical

Printing method:	24-pin impact dot matrix	
Printing speed:	High speed draft	300 cps at 10 cpi 360 cps at 12 cpi
	Draft	225 cps at 10 cpi (337 cps at 15 cpi maximum)
	Letter quality	79 cps at 10 cpi
Printing direction:	Bidirectional logic seeking for text and graphics printing. Unidirectional text or graphics printing can be selected using software commands.	
Line spacing:	1/6-inch or programmable in 1/360-inch increments	
Printable columns:	80 columns (at 10 cpi)	
Resolution:	Maximum 360 × 180 dpi (letter-quality mode)	
Paper feed methods:	Friction (front)	
	Push tractor (rear)	
Paper feed speed:	Continuous	3.61 inches/second
	Intermittent	53 msec/line at 1/6-inch line spacing
Reliability:	Total print volume	12 million lines (except print head) MTBF 6,000 POH (25% duty)
	Print head life	Approx. 200 million strokes/wire



Dimensions and weight (with paper guide):	Height	185 mm (7.3 inches)
	Width	386 mm (15.2 inches)
	Depth	306 mm (12.0 inches)
	Weight	Approx. 3.5 kg (7.7 lb)
Ribbon:	Black ribbon cartridge	S015290
	Ribbon life	Approx. 2 million characters (at 10 cpi in the letter-quality mode with 48 dots/character)
Acoustic noise:	Approx. 57 dB (A) (ISO 7779 pattern)	

Note:

The paper-thickness lever position or an overheated print head may affect the print speed.

Electronic

Interfaces:	LQ-630: One standard bidirectional, 8-bit, parallel interface with IEEE 1284 nibble mode support, one USB (ver 1.1) interface slot
	LQ-630S: One EIA-232D serial interface, One USB (ver 1.1) interface slot
Buffer:	32KB
Built-in fonts:	Bitmap fonts
	EPSON Draft 10, 12, 15 cpi
	EPSON Roman 10, 12, 15 cpi, proportional
	EPSON Sans Serif 10, 12, 15 cpi, proportional
	EPSON Courier 10, 12, 15 cpi
	EPSON Prestige 10, 12 cpi
	EPSON Script 10 cpi
	EPSON Script C proportional
	EPSON Orator 10 cpi
	EPSON Orator S 10 cpi
	EPSON OCR-B 10 cpi
	Scalable fonts
	EPSON Roman 10.5, 8 to 32 points, in 2-point increments
	EPSON Sans Serif 10.5, 8 to 32 points, in 2-point increments
	EPSON Roman T 10.5, 8 to 32 points, in 2-point increments



EPSON Sans Serif H10.5, 8 to 32 points, in
2-point increments

Barcode fonts

EAN-13, EAN-8, Interleaved 2 of 5, UPC-A,
UPC-E, Code 39, Code 128, POSTNET

Character tables: Standard version

One italic and 12 graphics character tables:

Italic table, PC437 (US, Standard Europe),
PC850 (Multilingual), PC860 (Portuguese),
PC861 (Icelandic), PC865 (Nordic),
PC863 (Canadian-French), BRASCII,
Abicomp, ISO Latin 1, Roman 8, PC 858,
ISO 8859-15

Following 23 graphical character tables are also
available in some countries:

PC 864 (Arabic), PC437 Greek,
PC852 (Eastern Europe), PC853 (Turkish),
PC855 (Cyrillic), PC857 (Turkish),
PC866 (Russian), PC869 (Greek),
MAZOWIA (Poland), Code MJK (CSFR),
ISO 8859-7 (Latin/Greek),
ISO Latin 1T (Turkish), Bulgaria (Bulgarian),
PC 774 (LST 1283: 1993), Estonia (Estonian),
PC 771 (Lithuanian), ISO 8859-2,
PC 866 LAT. (Latvian),
PC 866 UKR (Ukraine), PC APTEC (Arabic),
PC 708 (Arabic), PC 720 (Arabic),
PCAR 864 (Arabic)

Character sets: 14 international character sets and one legal
character set:

USA, France, Germany, UK, Denmark I,
Sweden, Italy, Spain I, Japan, Norway,
Denmark II, Spain II, Latin America, Korea,
Legal

Electrical

	220 to 240 V Model
Input voltage range	198 to 264 V
Rated frequency range	50 to 60 Hz
Input frequency range	49.5 to 60.5 Hz
Rated current	0.3 A (max. 0.9 A)
Power consumption	Approx. 20 W (ISO/IEC 10561 letter pattern)

Note:

Check the label on the back of the printer for the voltage of your printer.

Environmental

	Temperature	Humidity (without condensation)
Operation (plain paper)	5 to 35°C (41 to 95°F)	10 to 80% RH
Operation (recycled paper or label)	15 to 25°C (59 to 77°F)	30 to 60% RH
Storage	-30 to 60°C (-22 to 140°F)	0 to 85%



Paper

Note:

- Use recycled paper and label only under normal temperature and humidity conditions described below.*

Temperature 15 to 25°C (59 to 77°F)

Humidity 30 to 60% RH

- Do not load paper that is curled, folded, or crumpled.*

Single sheets

See also “Multipart forms” on page 136 for detailed information on the specification for single-sheet multipart forms.

Width	90 to 257 mm (3.5 to 10.1 inches)
Length	70 to 364 mm (2.8 to 14.3 inches)
Thickness	
single sheets	0.065 to 0.14 mm (0.0025 to 0.0055 inch)
multipart forms	0.12 to 0.39 mm (0.0047 to 0.015 inch)
Weight	
single sheets	52 to 90 g/m ² (14 to 24 lb)
multipart forms	40 to 58 g/m ² (11 to 15 lb)
Quality	
single sheets	Plain paper and recycled paper
multipart forms	Carbonless or carbon-backed multipart forms with a line of glue at the top or the side of the form Multipart forms that are joined together along the left and right edges by crimping or spot-gluing*
Copies	1 original + 4 copies

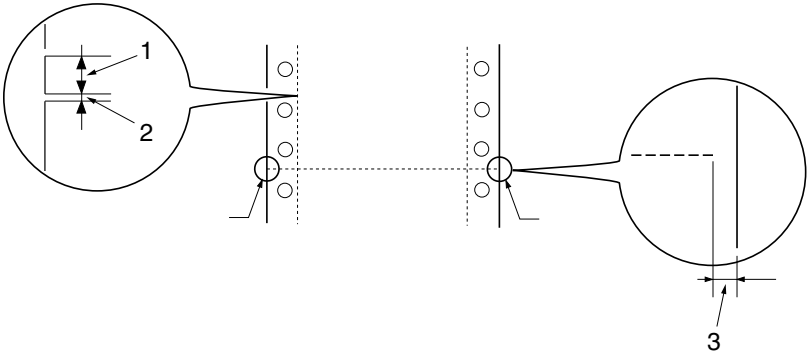
* When using 4 inches or wider but less than 9.4 inches wide multipart forms joined by crimping (multipart forms with cut-paper tab binding), set the Multipart forms with cut-paper tab binding in the default-setting mode to on.

Continuous paper

See also “Multipart forms” on page 136 for detailed information on the specifications for continuous multipart forms.

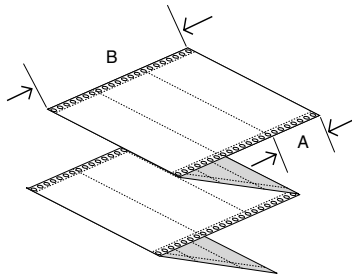
- ❑ The sprocket hole must be a circle or notched circle.
- ❑ The holes must be cleanly cut.
- ❑ At the perforation between pages, the horizontal and vertical perforation cuts must not cross.

- ❑ The ratio of the cut/uncut length at the perforation should be between 3:1 and 5:1. The perforation between pages must not extend all the way to the edges of the paper.



1. cut area
2. uncut area
3. uncut part of the edges of the paper

- ❑ If you use continuous paper whose page length (A in the next illustration) is under 101.6 mm (4.0 inches), make sure that the length between folds (B) is over 101.6 mm (4.0 inches.)



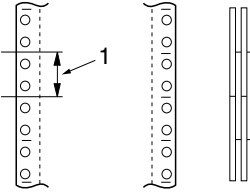
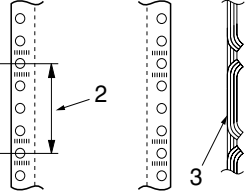
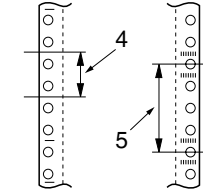
Width	101.6 to 254.0 mm (4.0 to 10.0 inches)
Length/page	101.6 to 558.8 mm (4.0 to 22.0 inches)
Copies	1 original + 4 copies
Total thickness	0.065 to 0.39 mm (0.0025 to 0.015 inch)
Weight	
single sheets	52 to 82 g/m ² (14 to 22 lb)
multipart forms	40 to 58 g/m ² (11 to 15 lb) (weight/part)
Quality	
single sheets	Plain paper, recycled paper, carbonless, and carbon-backed
multipart forms	Multipart forms that are joined together along the left and right edges by crimping or spot-gluing*

* When using 4 inches or wider but less than 9.4 inches wide multipart forms joined by crimping (multipart forms with cut-paper tab binding), set the Multipart forms with cut-paper tab binding in the default-setting mode to on.

Multipart forms

The specifications for the dimensions of multipart forms are the same as those for single sheets and continuous paper. See “Single sheets” on page 134 and “Continuous paper” on page 134 for detailed information.

- ❑ The form sheets of continuous multipart forms should be securely joined together along the left and right edges by crimping or, spot-gluing. For the best printing quality, use multipart forms joined with spot-gluing.

spot-gluing	crimping	spot-gluing and crimping on each side
		

1. 1 inch or less
2. 3 inches or less
3. printing side
4. 1 inch or less
5. 3 inches or less

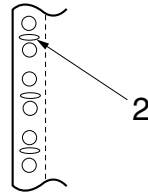
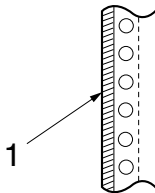
Note:

When using 4 inches or wider but less than 9.4 inches wide multipart forms joined by crimping (multipart forms with cut-paper tab binding), set the Multipart forms with cut-paper tab binding in the default-setting mode to on.



Caution:

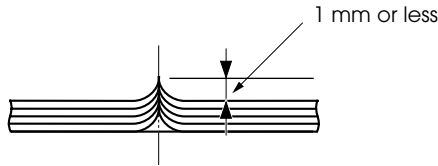
Never use continuous multipart forms that are joined with metal staples or bar-gluing.



1. bar-gluing
2. metal stapling



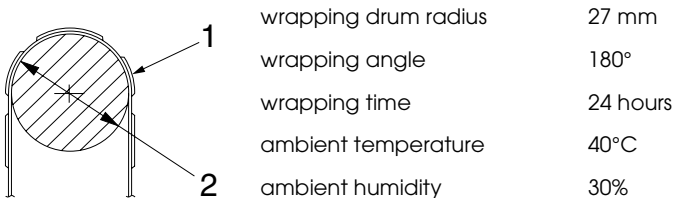
- ❑ The thickness of the folded part when extended should be 1 mm or less.



- ❑ The binding area should be flat and have no creases.
- ❑ The sprocket holes should be a circle or a notched circle.
- ❑ The sprocket holes of all sheets in the form should be aligned properly.
- ❑ The binding position should be outside the printable area. See “Printable area” on page 142 for more information.

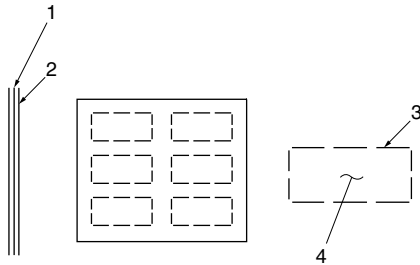
Labels (single-sheet)

- ❑ Labels should be securely attached to the backing sheet and the label surface must be flat.
- ❑ The labels should not peel off their backing sheet under the conditions below.



1. label
2. 27 mm

- ❑ Always use labels whose backing sheet is entirely covered, and make sure the cuts around the edges of the labels are perforated.



1. backing sheet
2. label sheet
3. several uncut areas on each side
4. label

Backing sheet

Width	100 to 210 mm (3.9 to 8.3 inches)
Length	100 to 297 mm (3.9 to 11.7 inches)

Labels

Width	63.5 mm (2.5 inches), minimum
Height	23.8 mm (0.94 inch), minimum
Weight	64 g/m ² (17 lb)

Thickness

Backing sheet	0.07 to 0.09 mm (0.0028 to 0.0035 inch)
Total	0.16 to 0.19 mm (0.0063 to 0.0075 inch)

Quality

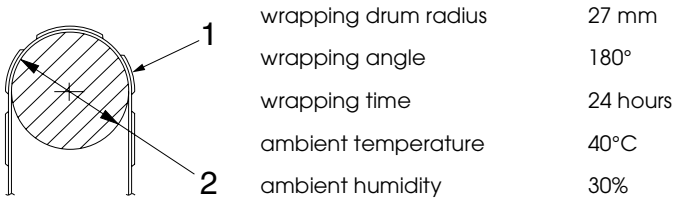
Plain paper or the same quality labels with backing sheet

Labels (continuous forms)

- ❑ Labels should be securely attached to the backing sheet and the label surface must be flat.

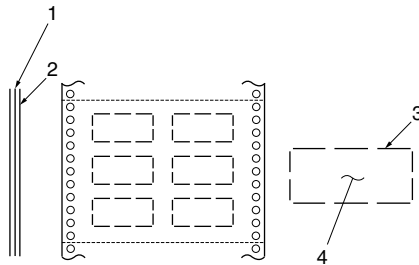


- ❑ The labels should not peel off their backing sheet under the conditions below.



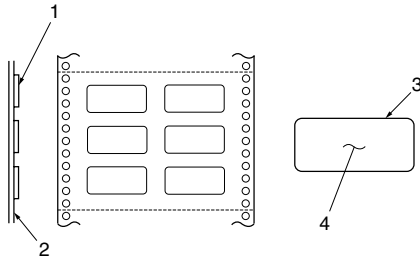
1. label
2. 27 mm

- ❑ When using labels whose backing sheet is entirely covered, make sure the cuts around the edges of the labels are perforated.



1. backing sheet
2. label sheet
3. several uncut areas on each side
4. label

- ❑ When using labels whose backing sheet is not covered with the label material, see the illustration below.



1. label
2. backing sheet
3. corner radius is more than 2.5 mm
4. label

Backing sheet

Width	101.6 to 254 mm (4 to 10 inches)
Length/page	101.6 to 558.8 mm (4 to 22 inches)

Labels

Width	63.5 mm (2.5 inches), minimum
Height	23.8 mm (0.94 inch), minimum
Corner radius	2.5 mm (0.1 inch), minimum
Weight	64 g/m ² (17 lb)

Thickness

Backing sheet	0.07 to 0.09 mm (0.0028 to 0.0035 inch)
Total	0.16 to 0.19 mm (0.0063 to 0.0075 inch)

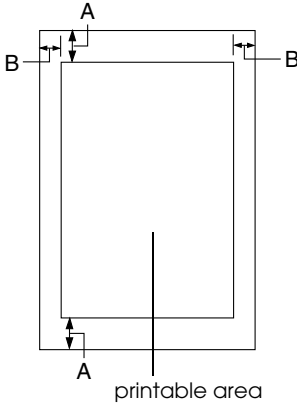
Quality

Plain paper or the same quality labels with continuous backing sheet



Printable area

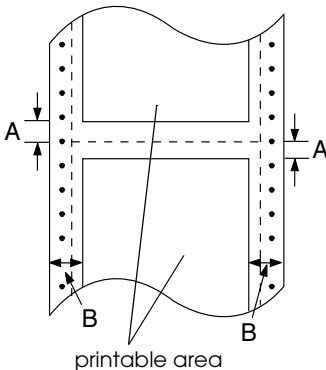
Single sheets (including single-sheet multipart forms)



- A 4.2 mm (0.17 inch) or more
- B The minimum left and right margins are 3.0 mm (0.12 inch) each.

The maximum printable width is 203.2 mm (8.0 inches). For single sheets wider than 209.2 mm (8.24 inches), the side margins increase proportionally to match the width of the paper.

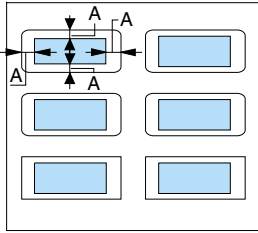
Continuous paper (including continuous multipart forms)



- A The minimum top and bottom margins (above and below the perforation) are 4.2 mm (0.165 inch).
- B The minimum left or right margin is 13 mm (0.512 inch).
The maximum printable width is 203.2 mm (8.0 inches). For paper wider than 229.2 mm (9.0 inches), the side margins increase proportionally to match the width of the paper.

Labels (single-sheet)

A 3 mm (0.118 inch) or more

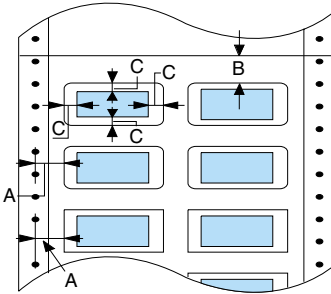


Labels (continuous forms)

A 6.35 mm (0.25 inch) or more

B 1.2 mm (0.0472 inch) or more

C 3 mm (0.118 inch) or more



Standards and Approvals

European model:

Low Voltage Directive
73/23/EEC

EN 60950

EMC Directive 89/336/EEC

EN 55022 Class B

EN 55024

EN 61000-3-2

EN 61000-3-3

Command Lists

EPSON ESC/P 2 control codes

Selecting EPSON ESC/P 2 printer in your software allows you to use the most advanced font and graphics. For more information about the commands, contact EPSON customer services. See “Contacting Customer Support” on page 76 for details.

General operation:

ESC@, ESC U

Paper feeding:

FF, LF, ESC 0, ESC 2, ESC 3, ESC +, CR

Page format:

ESC (C, ESC C, ESC C 0, ESC Q, ESC l, ESC (c, ESC N, ESC O

Print position motion:

ESC \$, ESC \, ESC (V, ESC (v, ESC D, HT, ESC B, VT, ESC J

Font selection:

ESC k, ESC x, ESC y, ESC X, ESC P, ESC M, ESC g, ESC p, ESC 4, ESC 5, ESC E, ESC F, ESC !

Font enhancement:

ESC W, DC 4, SO, DC2, SI, ESC w, ESC G, ESC H, ESC T, ESC S, ESC -, ESC (-, ESC q

Spacing:

ESC Space, ESC c, ESC (U

Character handling:

ESC t, ESC (t, ESC R, ESC %, ESC &, ESC :, ESC 6, ESC 7, ESC (^

Bit image:

ESC *

Barcode:

ESC (B

Production:

ESC |

IBM PPDS Emulation Control Codes

This printer emulates the IBM Proprinter with the following commands.

General operation:

NUL, DC3, ESC j, BEL, CAN, DC1, ESC Q, ESC [K, ESC U, ESC [F

Paper feeding:

FF, LF, ESC 5, ESC A, ESC A (AGM*), ESC 0, ESC 1, ESC 2, ESC 3, ESC 3 (AGM*), CR, ESC]

Page format:

ESC C, ESC C0, ESC X, ESC N, ESC O, ESC 4

Print position motion:

ESC d, ESC R, ESC D, HT, ESC B, VT, ESC J, ESC J (AGM*)

Font selection:

DC2, ESC P, ESC :, ESC E, ESC F, ESC I, ESC [d, ESC [I

Font enhancement:

DC4, SO, ESC SO, ESC W, ESC [@, SI, ESC SI, ESC G, ESC H, ESC T, ESC S, ESC -, ESC _, ESC [-

Spacing:

BS, SP, ESC [\

Character handling:

ESC 6, ESC 7, ESC [T, ESC ^, ESC \

Bit image:

ESC K, ESC L, ESC Y, ESC Z, ESC [g, ESC * (AGM*)

Barcode:

ESC [f, ESC [p

* Alternate Graphics Mode (A.G.M.)

* Effective when the A.G.M. is turned on in the default-setting mode.



Cleaning the Printer

To keep your printer operating at its best, you should clean it thoroughly several times a year.

Follow these steps to clean the printer:

1. Turn off the printer and remove any paper loaded in the printer as well as the paper guide.
2. Use a soft brush to carefully brush away all dust and dirt from the outer case and the paper guide.
3. If the outer case and the paper guide are still dirty or dusty, clean them with a soft, clean cloth dampened with mild detergent dissolved in water. Keep the printer cover closed to prevent water from getting inside the printer.



Caution:

- Never use alcohol or thinners to clean the printer; these chemicals can damage the printer components as well as the case.*
- Be careful not to get water on the printer mechanism or electronic components.*
- Do not use a hard or abrasive brush.*
- Do not spray the inside of the printer with lubricants; unsuitable oils can damage the printer mechanism. Contact your EPSON dealer if you think lubrication is needed.*

Transporting the Printer

If you need to transport your printer some distance, carefully repack it using the original box and packing materials.

Follow these steps to repack the printer in its original packing materials:



Warning:

If you have just used the printer, the print head may be hot; let it cool for a few minutes before removing the ribbon cartridge.

1. Press the Load/Eject button and remove any paper loaded in the printer.
2. Turn off the printer.
3. Unplug the power cord from the electrical outlet; then disconnect the interface cable from the printer.
4. Remove the paper guide. Remove the ribbon cartridge as described in steps 3 through 4 of “Replacing the ribbon cartridge” on page 118. Then close the printer cover.
5. Repack the printer, ribbon cartridge, paper guide, and power cord in the original packing materials and place them in the printer’s original box.



A

Glossary

ASCII

American Standard Code for Information Interchange. A standardized coding system for assigning numerical codes to letters and symbols.

auto line feed

When this feature is selected in the default-setting mode, each carriage-return (CR) code is automatically followed by a line-feed (LF) code.

bidirectional printing

Printing in which the print head prints in both directions (bidirectionally). This increases the print speed but may reduce precise vertical alignment. Bidirectional printing is this printer's standard printing mode. See also *unidirectional printing*.

buffer

The portion of the printer's memory used to store data before it is printed.

character table

A collection of letters, numbers, and symbols that constitute the set of characters used in a particular language.

characters per inch (cpi)

A measurement of the size of text characters.

continuous paper

Paper that has sprocket-feed holes on both sides, is perforated between pages, and is supplied in a folded stack. Also called fanfold paper.

control code

A special code used to control a printer function such as performing a carriage return or line feed.

cpi

See *characters per inch (cpi)*.

data dump

See *hex dump*.

default

A value that takes effect when the equipment is turned on, reset, or initialized.

dithering

A way of arranging dots on a page to simulate a shade or tone.

dot matrix

A method of printing in which each letter or symbol is formed by a pattern (matrix) of individual dots.

draft

The print mode used by your printer when you select Draft as the font. The Draft font uses less dots per character for faster printing. See also *high speed draft*.

driver

See *printer driver*.

ESC/P

Abbreviation for EPSON Standard Code for Printers. This is the system of commands your computer uses to control your printer. It is standard for all EPSON printers and supported by most application software for personal computers.

ESC/P 2

The enhanced version of the ESC/P printer command language. Commands in this language produce laser-like results, such as scalable fonts and enhanced graphics.

fanfold paper

See *continuous paper*.

font

A style of type designated by a name such as Roman or Sans Serif.

form feed (FF)

A control code and control panel button that advances the paper to the next top-of-form position.

hex dump

A troubleshooting method that helps identify the cause of communication problems between the printer and the computer. When the printer is in hex dump mode, it prints each code that it receives in hexadecimal notation and ASCII characters. Also called data dump.

high speed draft

A mode of draft printing you can select using the default-setting mode. High speed draft uses a minimum number of dots per character to produce extremely high-speed printing. See also *draft* and *letter quality (LQ)*.

interface

The connection between the computer and the printer over which print data is transmitted to the printer.

letter quality (LQ)

The print mode used by your printer when a font other than Draft is selected. Printing with letter-quality fonts provides better readability and appearance at a reduced print speed. See also *draft* and *high speed draft*.

line feed (LF)

A control code and control panel button that advances the paper one line space.

loading position

The position to which the paper is automatically loaded.

platen

The black flat part that provides a backing for the paper during printing.

printable area

The area of a page on which the printer can print. It is smaller than the physical size of the page due to margins.

printer driver

A software program that sends commands from the computer for using the functions of a particular printer.

reset

To return a printer to its default settings.

resolution

A measure of the amount of detail that can be represented. Resolution of printed images is measured in number of dots per inch (dpi).

self test

A method for checking the operation of the printer. When you run the self test, the printer prints the characters stored in its ROM (Read Only Memory).

tear off

A control panel button that feeds the perforation of continuous paper to the tear-off position and then feeds the paper back to the top-of-form position.

tear-off position

The position the printer feeds the paper to when the auto tear-off mode is on. Using the Micro Adjust function, you can adjust the position so that the paper's perforation meets the printer's tear-off edge.

top-of-form position

The position on the paper that the printer recognizes as the first printable line. This is the default top-margin position.

unidirectional printing

Printing in which the print head prints in one direction only. Unidirectional printing is useful for printing graphics because it allows precise vertical alignment. You can select unidirectional printing in the printer's default-setting mode. See also *bidirectional printing*.

Index

Numerics

0 slash, 44

A

A.G.M. (IBM), 45
Aligning vertical lines, 73
Auto CR (carriage return), 45
Auto I/F (interface) wait time, 44
Auto line feed, 43
Auto tear-off, 10, 43

B

Bidirectional printing (Bi-D), 43
Button
 LF/FF, 38
 Load/Eject, 38
 Micro Adjust, 38
 Pause, 38
Buzzer (beeper) setting, 46

C

Character table, 46
Contacting EPSON, 76
Continuous paper
 loading, 5
 removing, 10, 11
 switching from, 17
 switching to, 18
Customer support, 76

D

Default settings, 41
 changing, 47
 default-setting mode, 42
Driver (printer driver), 24

E

Electrical, 133
ENERGY STAR compliance, 126
EPSON Status Monitor 3, 24, 34
 accessing, 36
 setting up, 35
Error indication, 52
ESC/P2, 43

F

Font
 selecting in the default-setting
 mode, 40, 46

H

Hex dump, 75
High speed draft, 44

I

I/F (interface) mode, 44
IBM PPDS emulation, 43
International character set, 46

L

Labels, 15
 loading, 15
Lever
 paper release, 3
 paper-thickness, 3
Lock-out mode, 49

M

Manual feed wait time, 46
Micro adjust function
 tear-off position, 19

- top-of-form position, 20
- Multipart forms
 - continuous, 14
 - single-sheet, 14
- Multipart forms with cut-paper tab binding, 46

P

- Packet mode, 45
- Page length for tractor, 43
- Paper jam
 - clearing, 71
- Paper release lever, 3
- Paper source
 - selecting, 2
- Paper-thickness lever, 3
- Parallel I/F (interface) bidirectional mode, 44
- Parallel interface, 44
- Pitch
 - selecting, 40
- Print direction, 43
- Printer driver, 24
 - accessing
 - from Windows Me, 98 and 95, 24
 - from Windows XP, 2000 and NT 4.0, 28
 - settings, 33

R

- Removing
 - continuous paper, 10
- Ribbon cartridge
 - replacing, 118

S

- Safety
 - Warnings, Cautions, and Notes, 124
- Safety instructions, 124
- Self test, 73
- Single sheets
 - loading, 12

- switching from, 18
- switching to, 17
- Skip over perforation, 43
- Specifications
 - standards and approvals, 143
- Status Monitor 3, 24, 34

T

- Tear-off function, 10
- Technical support, 76
- Troubleshooting
 - problems and solutions, 53
 - USB problems, 68

U

- Unidirectional (Uni-D) printing, 43
- USB interface, 44
 - problems, 68