



**THE BEST SUPPORT  
FOR YOUR AV & IT HARDWARE**  
T: + 31(0)23-5478888 | E: info@newstar.eu | W: www.newstar.eu

## PLASMA-C100D

## NEWSTAR FLAT SCREEN CEILING MOUNT

Newstar TV/Monitor Ceiling Mount for Dual  
37"-75" Screens (Back to Back), Height  
Adjustable - Black



### SPECIFICATIONS

<b>Color</b>	Black
<b>Height</b>	67 - 107 cm
<b>Height adjustment</b>	Manual
<b>Max. screen size</b>	75
<b>Max. weight</b>	50
<b>Min. screen size</b>	37
<b>Min. weight</b>	0
<b>Screens</b>	2
<b>Swivel (degrees)</b>	60°
<b>Tilt (degrees)</b>	25°
<b>Type</b>	Full motion Tilt Swivel
<b>VESA maximum</b>	800x450 mm
<b>VESA minimum</b>	200x200 mm
<b>VESA pattern</b>	200x200 200x300 200x400 300x200 300x300 300x400 400x200 400x300 400x400 440x400 500x400 600x200 600x300 600x400 680x300 800x200 800x400
<b>Warranty</b>	5 year
<b>EAN code</b>	8717371441739

The NewStar ceiling mount, model PLASMA-C100D is a dual-sided tilt- and swivel ceiling mount for flat screens up to 75" (191 cm). This mount is a great choice for space saving placement or when wall mounting and floor placement is not an option.

NewStar's versatile tilt (25°) and swivel (60°) technology allows the mount to change to any viewing angle to fully benefit from the capabilities of the flat screen. The support is easily height adjustable from 67 to 107 centimetres. If different heights are needed extension poles are available. An innovative cable management conceals and routes cables from ceiling to TV. Hide your cables in the column to keep it nice and tidy.

NewStar PLASMA-C100D has one pivot point and is suitable for screens up to 75" (191 cm). The weight capacity of this product is 100 kg. The ceiling mount is suitable for screens that meet VESA hole pattern 200x200 to 800x450mm. Different hole patterns can be covered using NewStar VESA adapter plates.

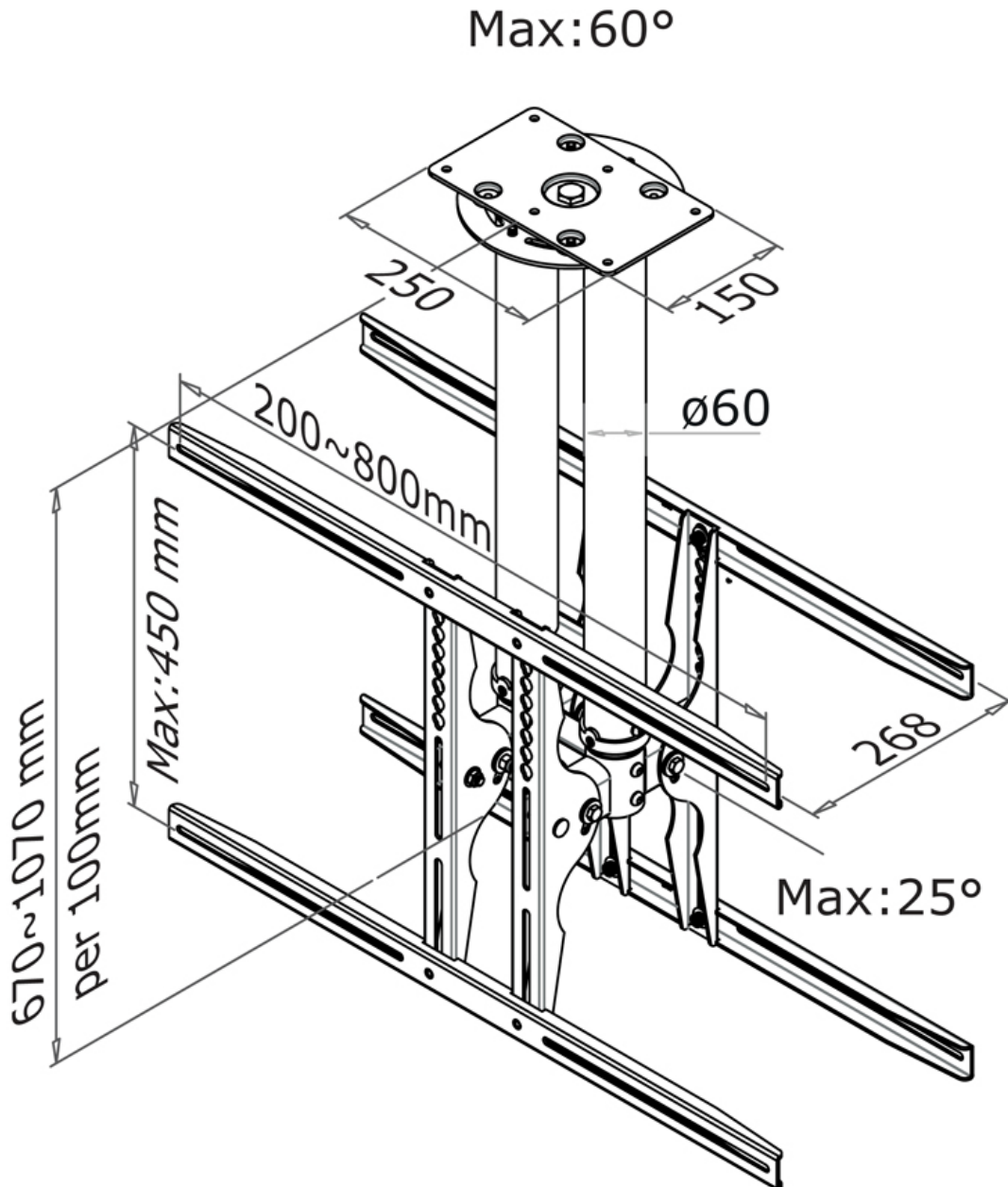
All installation material is included with the product.



THE BEST SUPPORT  
FOR YOUR AV & IT HARDWARE  
T: +31(0)23-5478888 | E: info@newstar.eu | W: www.newstar.eu

## PLASMA-C100D

## NEWSTAR FLAT SCREEN CEILING MOUNT



NewStar Products Europe B.V.  
Wateringweg 62/B  
2031 EJ HAARLEM  
THE NETHERLANDS

Phone : +31(0)23-5478888  
Fax : +31(0)23-5478889  
Email : info@newstar.nl  
Website : www.newstar.eu

NewStar cannot be held liable for any inaccuracies and copyrights.  
No part of this publication may be reproduced and/or published by print, photocopy, microfilm or in any other way, without prior written permission of NewStar Computer Products Europe BV.