



Powerline Adapter with Integrated Power Socket

HP-6101AC / HP-6101ACK / HP-6101ACP

FEATURES

- Plug-and-Play, no configuration or software required. Easily extends an Ethernet connection in minutes.
- Provides with stable and high-speed data transfer, ideal for bandwidth intensive applications such as 3D/HD video streaming and online gaming.
- Cost-saving with extending networks via existing electrical wires without unsightly cabling.
- Integrated 128-bit AES encryption provides comprehensive security at the push of "Pair" button.
- Powerline data transmission rates of up to 600Mbps*
- Up to 300-meter range over a home's electrical circuit for better performance through walls or across floors.
- Built in QoS system allows you to allocate bandwidth for certain types of traffic and for applications.

OVERVIEW

Edimax HP-6101AC Series Powerline Adapter easily extends your internet with standard power outlets to create a secure high speed building-wide network to any room in the house without internet dead spots and laying new messy Ethernet cables through your house.

Unlike Wi-Fi devices with limited bandwidth, the HP-6101AC Series is perfect for high bandwidth applications like HD or 3D movies, and audio streaming. Moreover, it's compatible with any networking device with an Ethernet port. The HP-6101AC Series can also reach locations which Wi-Fi can't, so they are ideal for computers, home theater, smart TVs and gaming devices - providing you with an expandable and convenient way to set up network at home.

Instantly Extend Network with Plug-and-Play

Easily extends the existing network with the Plug-and-Play design which allows your powerline network built in minutes, so you can enjoy fast and stable connections right away.

Smooth Connection for HD Video Streaming

The powerline adapter is equipped with a RJ45 Ethernet port is ideal for bandwidth intensive applications such as multiple 3D/HD video streaming and multiplayer gaming, ensuring smooth transition and high performance.

Cost-Saving, No More Unsightly Cabling

The HP-6101AC Series transforms the existing electrical wires in your home or office into a high-speed network. Complicated, disruptive and unsightly cabling is no longer needed - if your home or office doesn't have an existing Ethernet cable infrastructure, the HP-6101AC Series enables you to create a network environment easily and cost-effectively.

No Electrical Outlet Goes to Waste

With the powerline adapter, no electrical outlet goes to waste. It is built with an integrated power socket, which you can use with any electrical device. So even when HP-6101AC Series is plugged into a socket, you can still plug another electrical device into the powerline adapter and have your usual socket capacity.

SPECIFICATIONS

HARDWARE

Interface	<ul style="list-style-type: none"> • 1 x AC plug (FR) • 1 x RJ45 10/100Mbps LAN port • 1 x Power socket (FR)
Button	• 1 x Pair/Reset button
LED Indicator	• Power, Ethernet, Powerline
Memory	• 2MB ROM
Power Supply	• DC 12V, 100-240V AC, 50-60Hz
Dimensions	• 114 (W) x 57 (D) x 31 (H) mm
Weight	• 149g

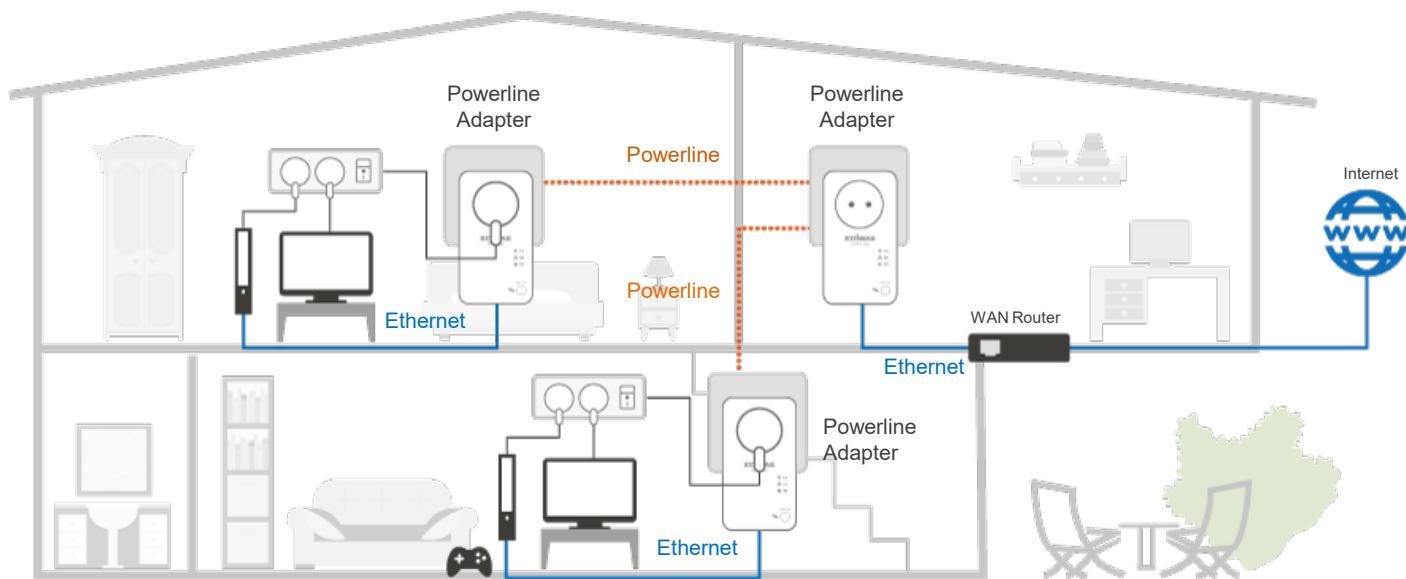
NETWORK

Standard	<ul style="list-style-type: none"> • IEEE 802.3 • IEEE 802.3u
Frequency	• 2MHz~68MHz
Data Rate	• Powerline data transmission rates of up to 600Mbps*
Operating Range	• Up to 300 meters over a home's electrical circuit
Security	• 128-bit AES data encryption

OTHERS

Certification	• CE, RoHS
Environmental Condition	<ul style="list-style-type: none"> • Operating Temperature: 0°C~25°C • Storage Temperature: -40°C~70°C • Operating Humidity: 10%~90% non-condensing • Storage Humidity: 5%~90% non-condensing
Package Content	<ul style="list-style-type: none"> • HP-6101ACK: (2-Pack) <ul style="list-style-type: none"> - 2 x Powerline Adapter (HP-6101AC) - 2 x 1-meter RJ-45 Ethernet Cable - 1 x Quick Installation Guide • HP-6101ACP: (3-Pack) <ul style="list-style-type: none"> - 3 x Powerline Adapter (HP-6101AC) - 3 x 1-meter RJ-45 Ethernet Cable - 1 x Quick Installation Guide

APPLICATION DIAGRAM



**Powerline adapters must be deployed in sets of two or more.

*Maximum performance, actual data rates, and coverage will vary depending on network conditions and environmental factors. Product specifications and design are subject to change without notice.
 *600Mbps is the maximum theoretical communication speed at the physical layer via electric power lines.