



FPMA-D940D

NEWSTAR FLAT SCREEN DESK MOUNT

Newstar full motion dual desk mount (clamp) for two 10-24" monitor screens, height adjustable (gas spring) - Silver



SPECIFICATIONS

Color	Silver
Depth	0 - 48 cm
Desk mount	Clamp
Height	0 - 42 cm
Height adjustment	Gas spring
Max. screen size	24"
Max. weight	7 kg
Min. screen size	10"
Min. weight	4 kg
Rotate (degrees)	180°
Screens	2
Swivel (degrees)	360°
Tilt (degrees)	60°
Type	Full motion Tilt Rotate Swivel
VESA maximum	100x100 mm
VESA minimum	75x75 mm
VESA pattern	100x100 75x75
Warranty	5 year
EAN code	8717371442156

The NewStar desk mount, model FPMA-D940D is a tilt-, swivel and rotatable desk mount for 2 flat screens up to 24". This mount is a great choice for space saving placement on desks using a desk clamp.

NewStar's versatile tilt (60°), rotate (180°) and swivel (360°) technology allows the mount to change to any viewing angle to fully benefit from the capabilities of the flat screen. The mount is easily height adjustable from 0 to 42 centimetres using a gas spring. Depth adjustable from 0 to 48 centimetres. An innovative cable management conceals and routes cables from mount to flat screen. Hide your cables to keep the workplace nice and tidy.

NewStar FPMA-D940D has three pivot points and is suitable for screens up to 24" (61 cm). The weight capacity of this product is 4 to 7,5 kg per screen. The desk mount is suitable for screens that meet VESA hole pattern 75x75 or 100x100mm. Different hole patterns can be covered using NewStar VESA adapter plates.

By using an ergonomic mount neck- and back complaints can be avoided. Ideal for use in offices and on counters or in a reception area.

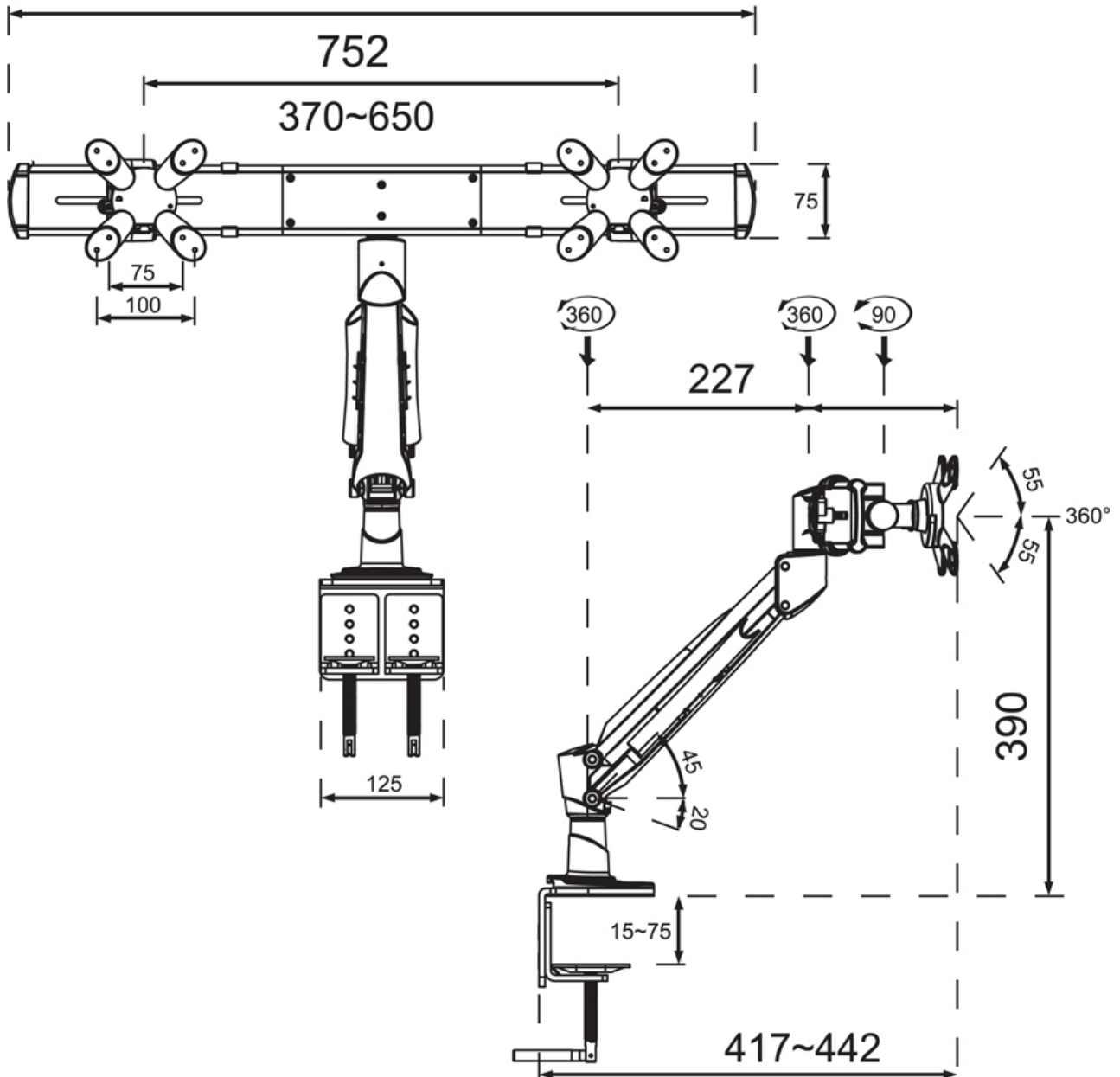
All installation material is included with the product.



**THE BEST SUPPORT
FOR YOUR AV & IT HARDWARE**
T: +31(0)23-5478888 | E: info@newstar.eu | W: www.newstar.eu

FPMA-D940D

NEWSTAR FLAT SCREEN DESK MOUNT



NewStar Products Europe B.V.
Wateringweg 62/B
2031 EJ HAARLEM
THE NETHERLANDS

Phone : +31(0)23-5478888
Fax : +31(0)23-5478889
Email : info@newstar.nl
Website : www.newstar.eu

NewStar cannot be held liable for any inaccuracies and copyrights.
No part of this publication may be reproduced and/or published by print, photocopy, microfilm or in any other way, without prior written permission of NewStar Computer Products Europe BV.