



**THE BEST SUPPORT
FOR YOUR AV & IT HARDWARE**
T: + 31(0)23-5478888 | E: info@newstar.eu | W: www.newstar.eu

FPMA-D935G

NEWSTAR FLAT SCREEN DESK MOUNT

Newstar Full Motion Desk Mount (grommet)
for 10-30" Monitor Screen, Height
Adjustable - Silver



SPECIFICATIONS

Color	Silver
Depth	12 - 50 cm
Desk mount	Grommet
Height	0 - 50 cm
Height adjustment	Manual
Max. screen size	30
Max. weight	12
Min. screen size	10
Min. weight	0
Rotate (degrees)	360°
Screens	1
Swivel (degrees)	360°
Tilt (degrees)	180°
Type	Full motion Tilt Rotate Swivel
VESA maximum	100x100 mm
VESA minimum	75x75 mm
VESA pattern	100x100 75x75
Warranty	5 year
EAN code	8717371443139

The NewStar desk mount, model FPMA-D935G is a tilt-, swivel and rotatable desk mount for flat screens up to 30". This mount is a great choice for space saving placement on desks using a grommet mount.

NewStar's versatile tilt (180°), rotate (360°) and swivel (360°) technology allows the mount to change to any viewing angle to fully benefit from the capabilities of the flat screen. The mount is manually height adjustable from 0 to 50 centimetres. Depth adjustable from 12 to 50 centimetres. An innovative cable management conceals and routes cables from mount to flat screen. Hide your cables to keep the workplace nice and tidy.

NewStar FPMA-D935G has three pivot points and is suitable for screens up to 30" (76 cm). The weight capacity of this product is 12 kg. The desk mount is suitable for screens that meet VESA hole pattern 75x75 or 100x100mm. Different hole patterns can be covered using NewStar VESA adapter plates.

By using an ergonomic mount neck- and back complaints can be avoided. Ideal for use in offices and on counters or in a reception area.

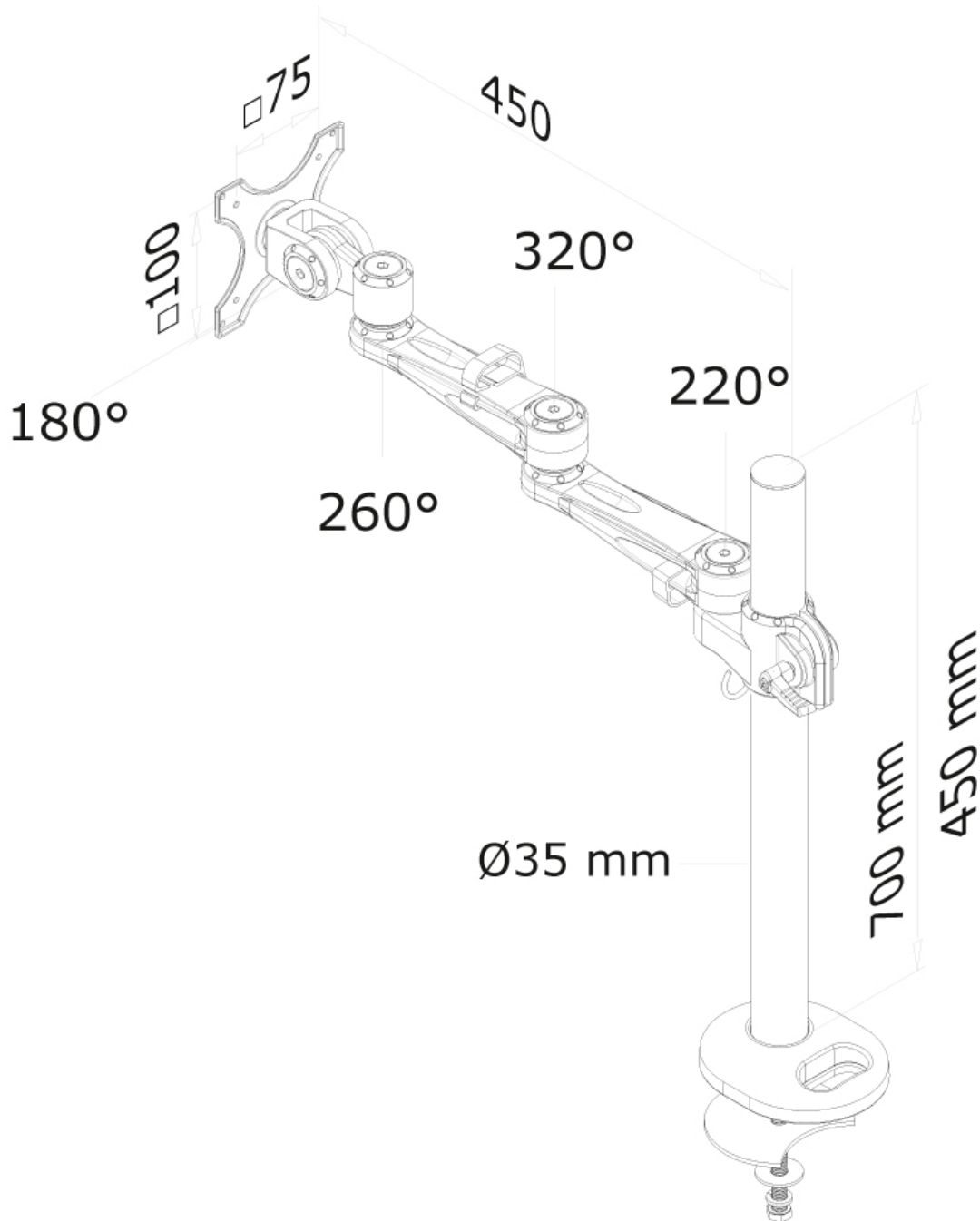
All installation material is included with the product.



**THE BEST SUPPORT
FOR YOUR AV & IT HARDWARE**
T: +31(0)23-5478888 | E: info@newstar.eu | W: www.newstar.eu

FPMA-D935G

NEWSTAR FLAT SCREEN DESK MOUNT



NewStar Products Europe B.V.
Wateringweg 62/B
2031 EJ HAARLEM
THE NETHERLANDS

Phone : +31(0)23-5478888
Fax : +31(0)23-5478889
Email : info@newstar.nl
Website : www.newstar.eu

NewStar cannot be held liable for any inaccuracies and copyrights.
No part of this publication may be reproduced and/or published by print, photocopy, microfilm or in any other way, without prior written permission of NewStar Computer Products Europe BV.