



**THE BEST SUPPORT
FOR YOUR AV & IT HARDWARE**
T: + 31(0)23-5478888 | E: info@newstar.eu | W: www.newstar.eu

FPMA-C400SILVER

NEWSTAR FLAT SCREEN CEILING MOUNT

Newstar TV/Monitor Ceiling Mount for
32"-60" Screen, Height Adjustable - Silver



SPECIFICATIONS

Color	Silver
Depth	8 cm
Height	64 - 104 cm
Height adjustment	Manual
Max. screen size	60
Max. weight	35
Min. screen size	32
Min. weight	0
Screens	1
Swivel (degrees)	60°
Tilt (degrees)	25°
Type	Full motion Tilt Swivel
VESA maximum	600x400 mm
VESA minimum	200x200 mm
VESA pattern	200x200 200x300 200x400 300x200 300x300 400x400 400x300
Warranty	5 year
EAN code	8717371442712

The NewStar ceiling mount, model FPMA-C400SILVER is a tilt- and swivel ceiling mount for flat screens up to 60". This mount is a great choice for space saving placement or when wall mounting and floor placement is not an option.

NewStar's versatile tilt (25°) and swivel (60°) technology allows the mount to change to any viewing angle to fully benefit from the capabilities of the flat screen. The support is easily height adjustable from 64 to 104 centimetres. An innovative cable management conceals and routes cables from ceiling to TV. Hide your cables in the column to keep it nice and tidy.

NewStar FPMA-C400SILVER has two pivot points and is suitable for screens up to 60" (152 cm). The weight capacity of this product is 35 kg. The ceiling mount is suitable for screens that meet VESA hole pattern 200x200 to 600x400mm.

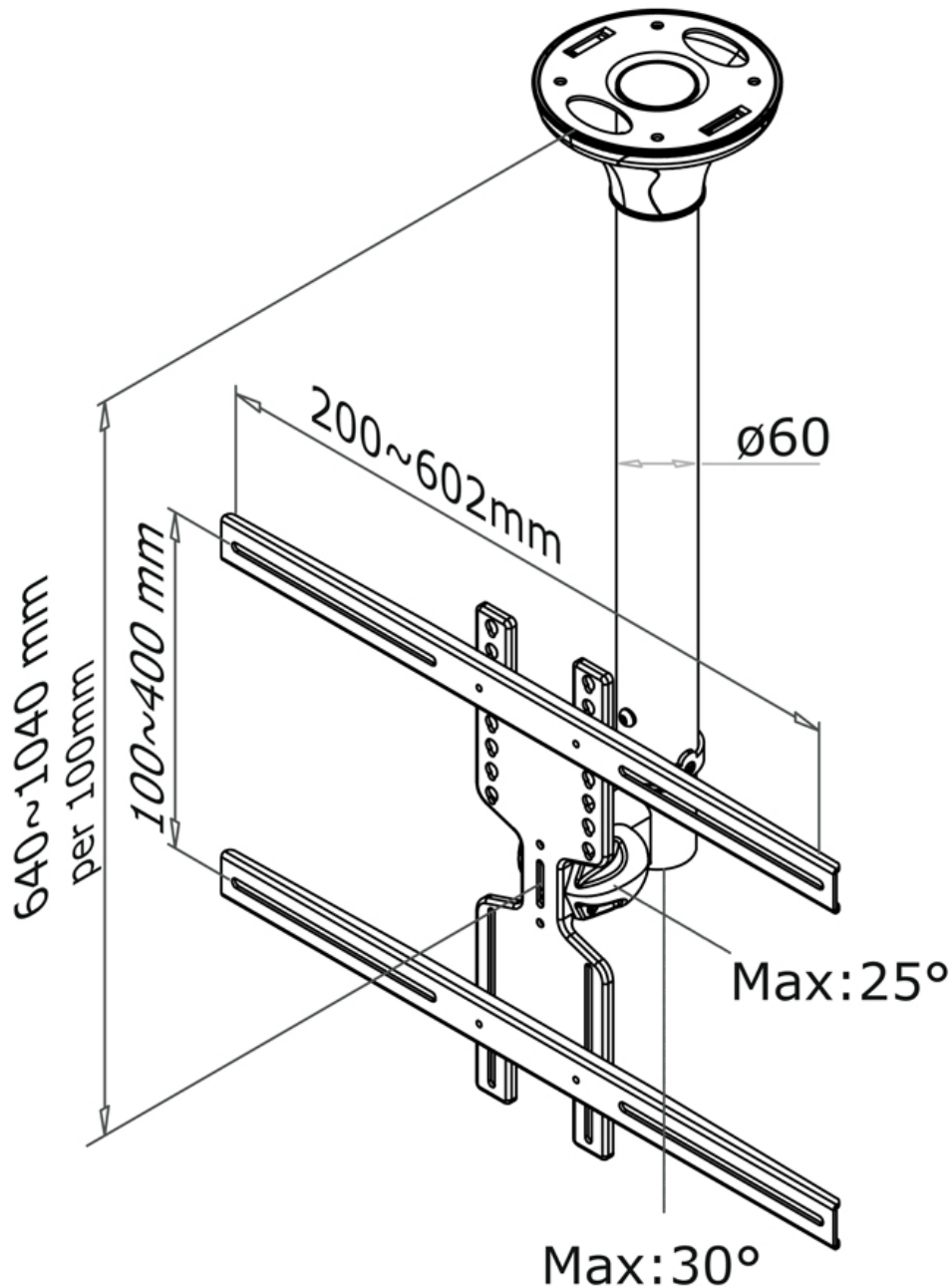
All installation material is included with the product.



THE BEST SUPPORT
FOR YOUR AV & IT HARDWARE
T: +31(0)23-5478888 | E: info@newstar.eu | W: www.newstar.eu

FPMA-C400SILVER

NEWSTAR FLAT SCREEN CEILING MOUNT



NewStar Products Europe B.V.
Wateringweg 62/B
2031 EJ HAARLEM
THE NETHERLANDS

Phone : +31(0)23-5478888
Fax : +31(0)23-5478889
Email : info@newstar.nl
Website : www.newstar.eu

NewStar cannot be held liable for any inaccuracies and copyrights.
No part of this publication may be reproduced and/or published by print, photocopy, microfilm or in any other way, without prior written permission of NewStar Computer Products Europe BV.