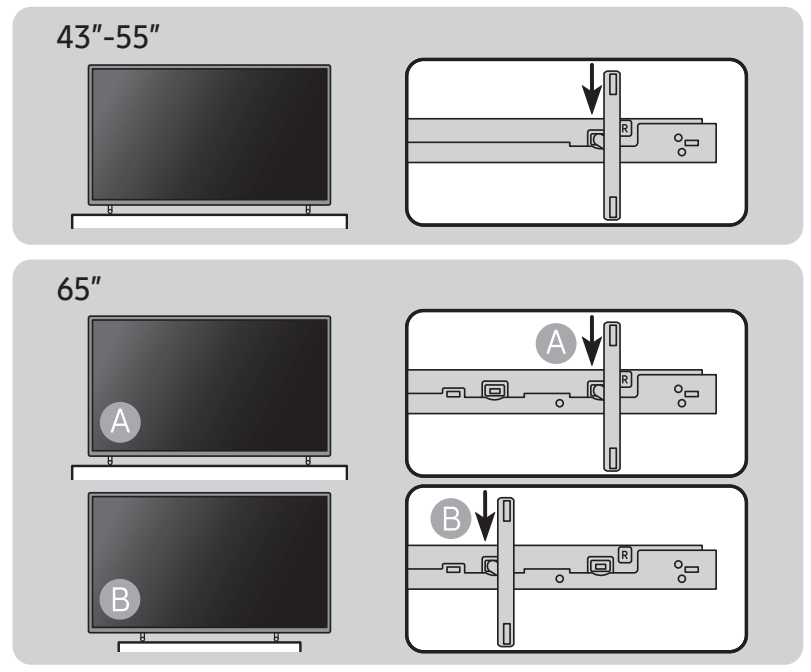
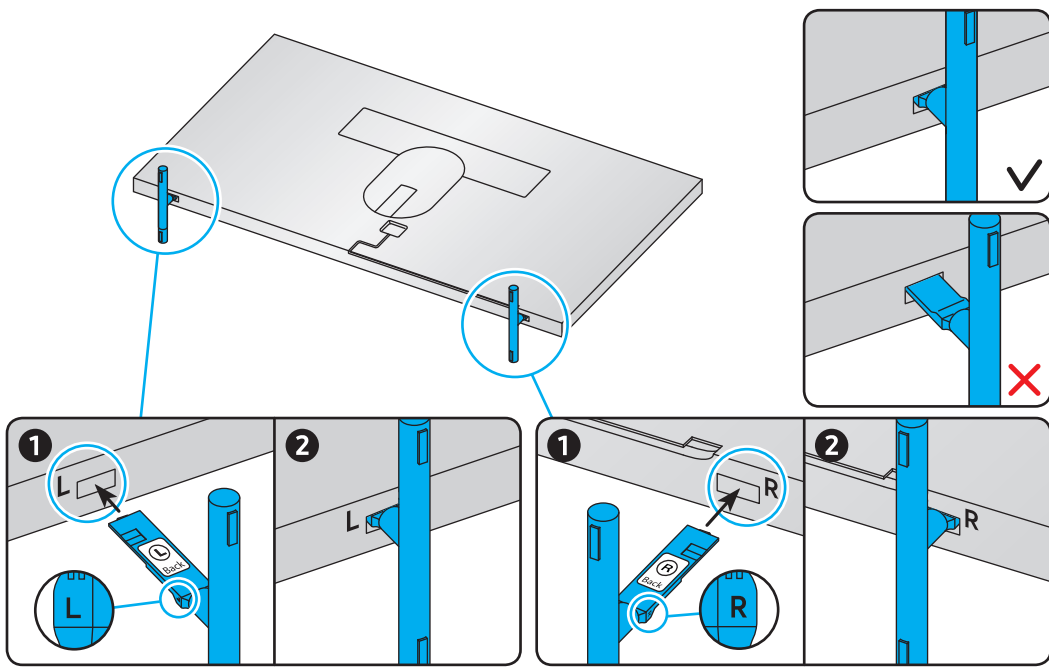
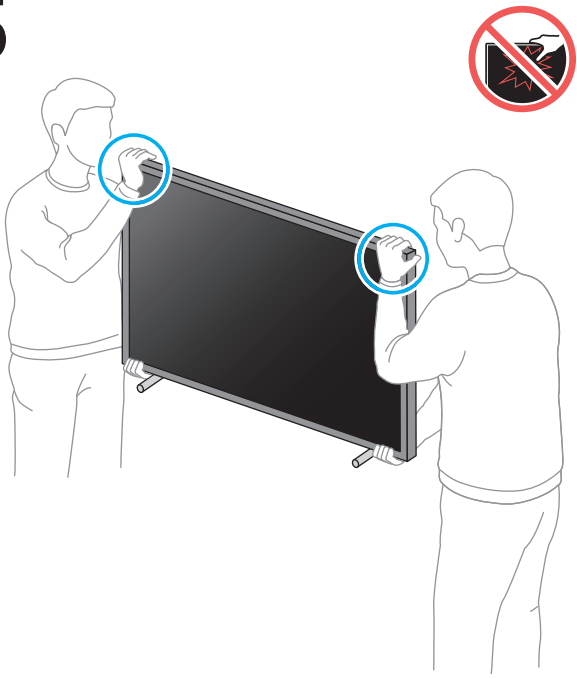


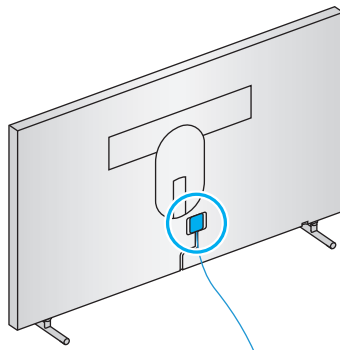
4



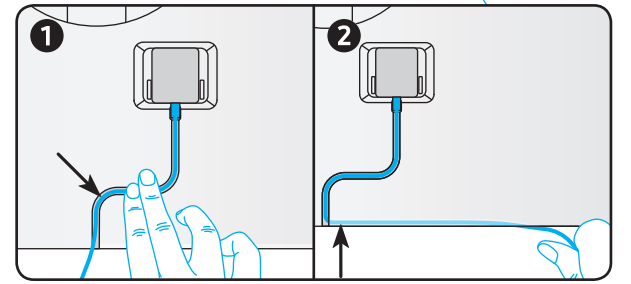
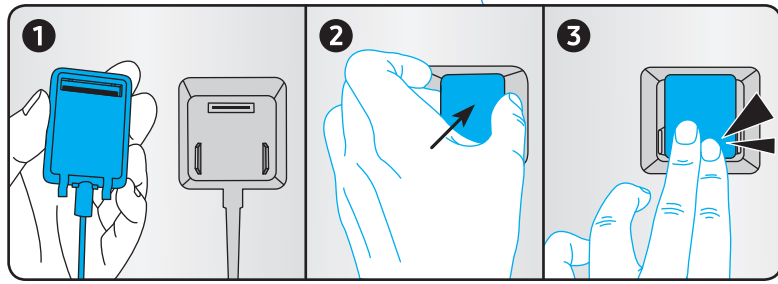
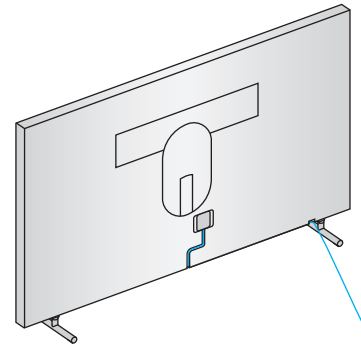
5



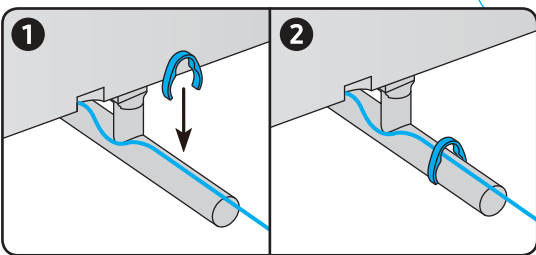
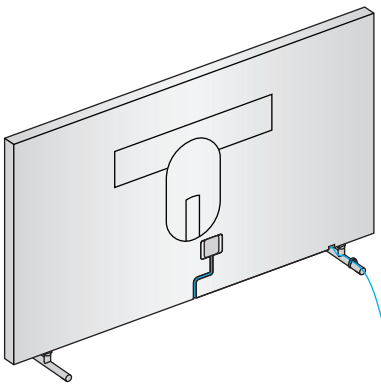
6



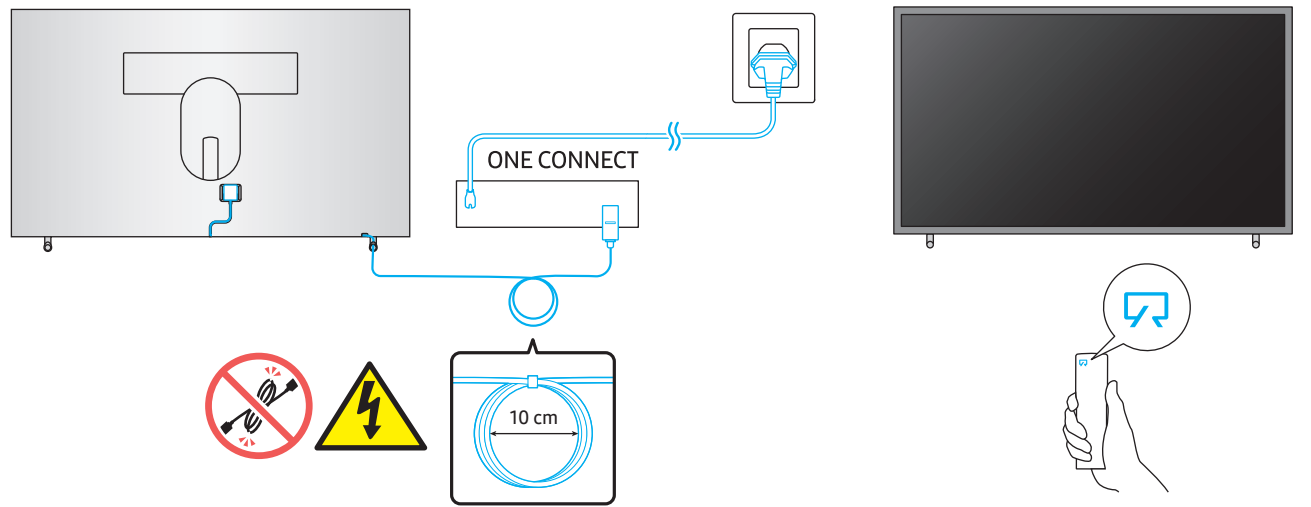
7



8



9

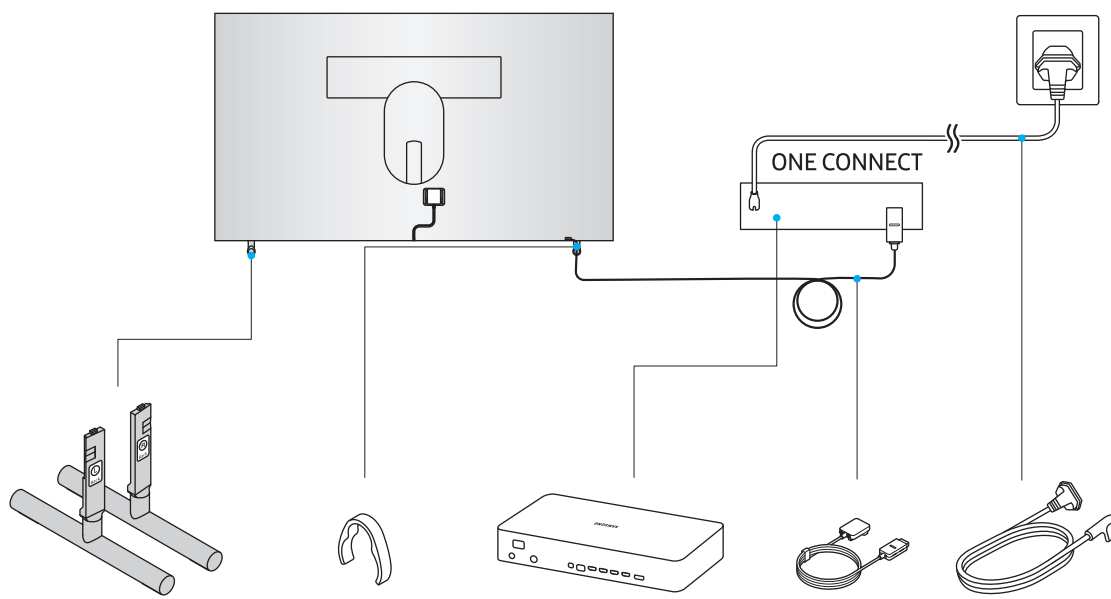


SAMSUNG

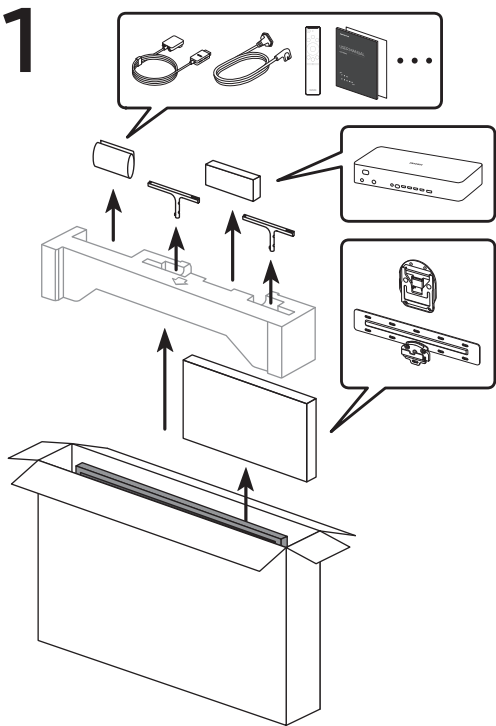
THE FRAME

QUICK SETUP GUIDE

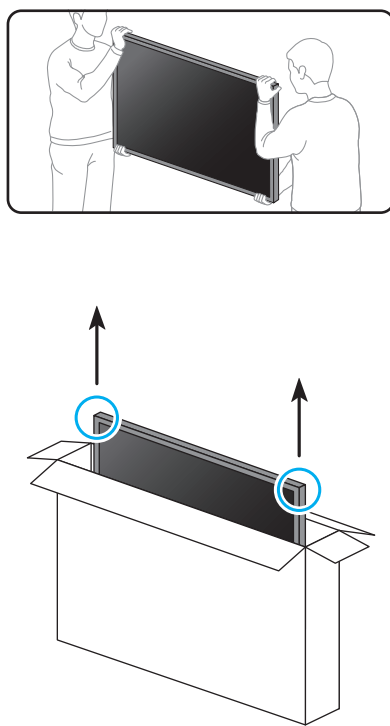




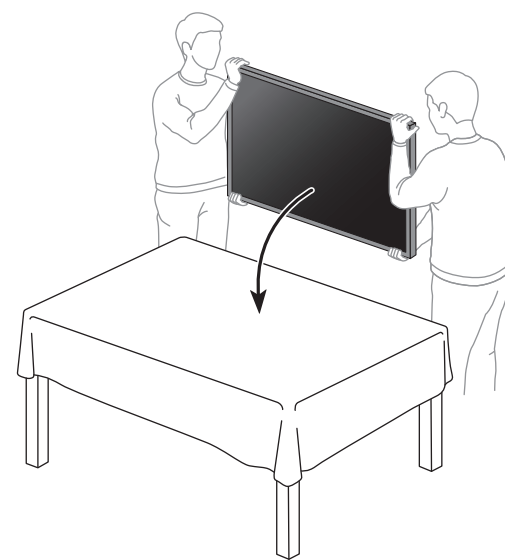
43"-49" 1



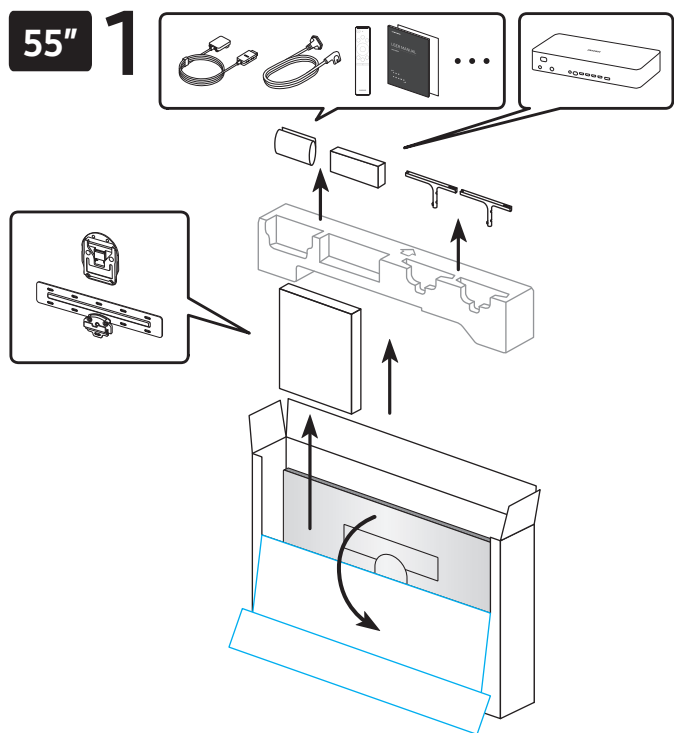
2



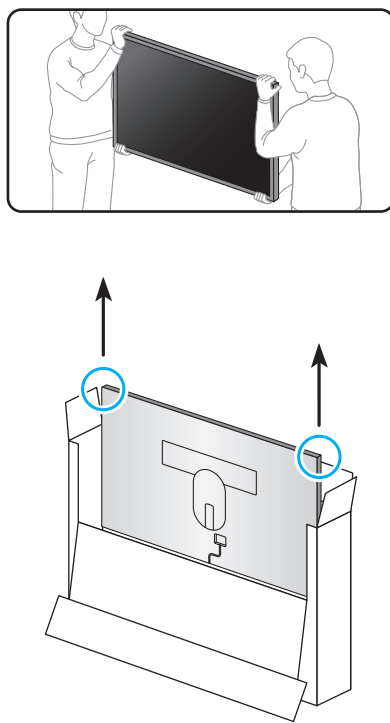
3



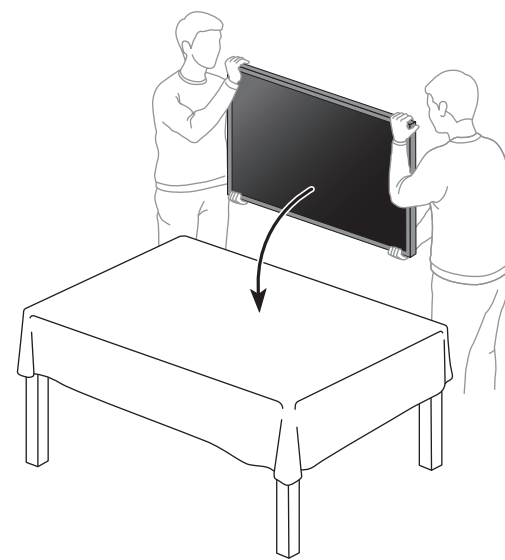
55" 1



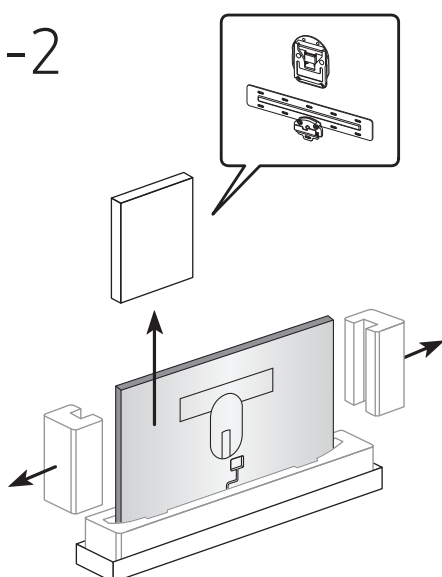
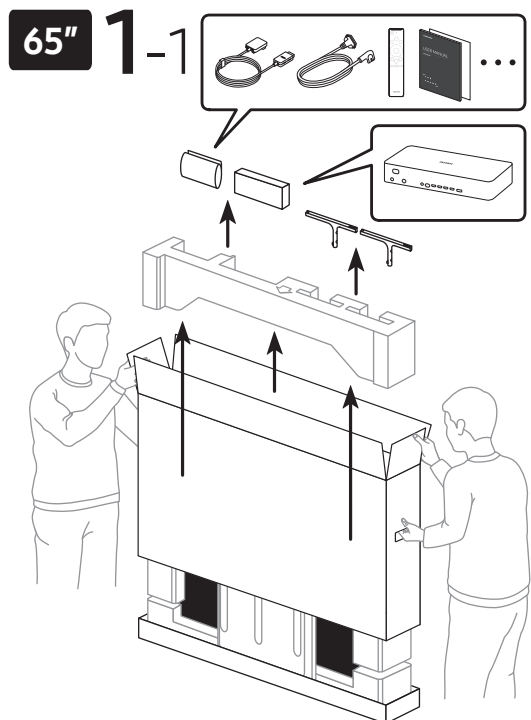
2



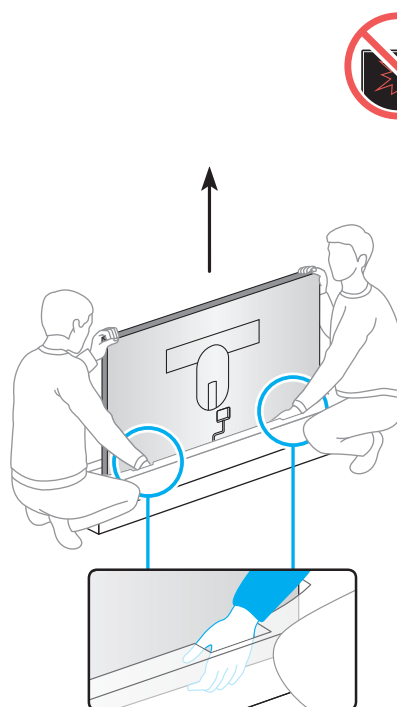
3



65" 1-1 1-2



2



3

