



### 27" IPS panel technology monitor with ultra flat front and a height adjustable stand

Stylish ultra-flat front design and full HD resolution make the ProLite XUB2792HSU a perfect addition to the desk of any graphic designer. The IPS panel technology offers accurate and consistent colours reproduction with wide viewing angles (178°/178°) and fast response time. High contrast and brightness values guarantee the monitor will provide excellent performance for photography and web design, and the height adjustable stand ensures you can easily adjust the screen position to your preferences. Very suitable for multi-monitor Digital Signage and office applications.

Available also in black: [ProLite XUB2792HSU-B1](#)



#### IPS Technology

IPS technology offers higher contrast, darker blacks and much better viewing angles than standard TN technology. The screen will look good no matter from what angle you look at it.



#### Ultra Slim Line

Ultra Slim Line monitors feature a sleek bezel and are therefore particularly suitable for video wall or a multi-monitor set-up.

## 01 DISPLAY CHARACTERISTICS

Design	ultra slim
Diagonal	27", 68.6cm
Panel	IPS Panel Technology LED, matte finish
Native resolution	1920 x 1080 @75Hz (2.1 megapixel Full HD HDMI & DisplayPort)
Aspect ratio	16:9
Brightness	250 cd/m <sup>2</sup> typical
Static contrast	1000:1 typical
Advanced contrast	80M:1
Response time (GTG)	4ms
Viewing zone	horizontal/vertical: 178°/178°, right/left: 89°/89°, up/down: 89°/89°
Colour support	16.7mIn 8bit (6bit + Hi-FRC) (sRGB: 99%, NTSC 72%)
Horizontal Sync	31 - 83KHz
Vertical Sync	55 - 75Hz
Viewable area W x H	597.8 x 336.3mm, 23.5 x 13.2"
Pixel pitch	0.311mm
Colour	matte, white

## 02 INTERFACES / CONNECTORS / CONTROLS

Signal input	VGA x1 (1920 x 1080 @60Hz) HDMI x1 (1920 x 1080 @75Hz) DisplayPort x1 (1920 x 1080 @75Hz)
USB HUB	x2 (v.2.0)
HDCP	yes
Headphone connector	yes

## 03 FEATURES

Blue light reducer	yes
Flicker free	yes
OSD languages	EN, DE, FR, ES, IT, RU, JP, CZ, NL, PL
Control buttons	Power, Menu/ Select, +/ Volume, -/ ECO, Exit, Input
User controls	auto adjust, picture adjust (brightness, contrast, ECO, blue light reducer, ACR, OD), geometry (H. position, V. position, pixel clock, phase), colour settings (colour temperature, user preset, i-Style Colour), OSD (OSD H. position, OSD V. position, OSD rotate, OSD time), language, recall, miscellaneous (sharp and soft, video mode adjust, opening logo, display information), input select (input source), audio settings (volume, mute, audio input)
Speakers	2 x 2W
Convenience	Kensington-lock™ prepared, DDC2B, Mac OSX

## 04 MECHANICAL

Display position adjustments	height, pivot (rotation), swivel, tilt
Height adjustment	130mm
Rotation (PIVOT function)	90°
Swivel stand	90°; 45° left; 45° right
Tilt angle	22° up; 5° down
VESA mounting	100 x 100mm

Operation temperature range 5°C - 35°C

## 05 ACCESSORIES INCLUDED

Cables	power, USB, HDMI
Other	quick start guide, safety guide

## 06 POWER MANAGEMENT

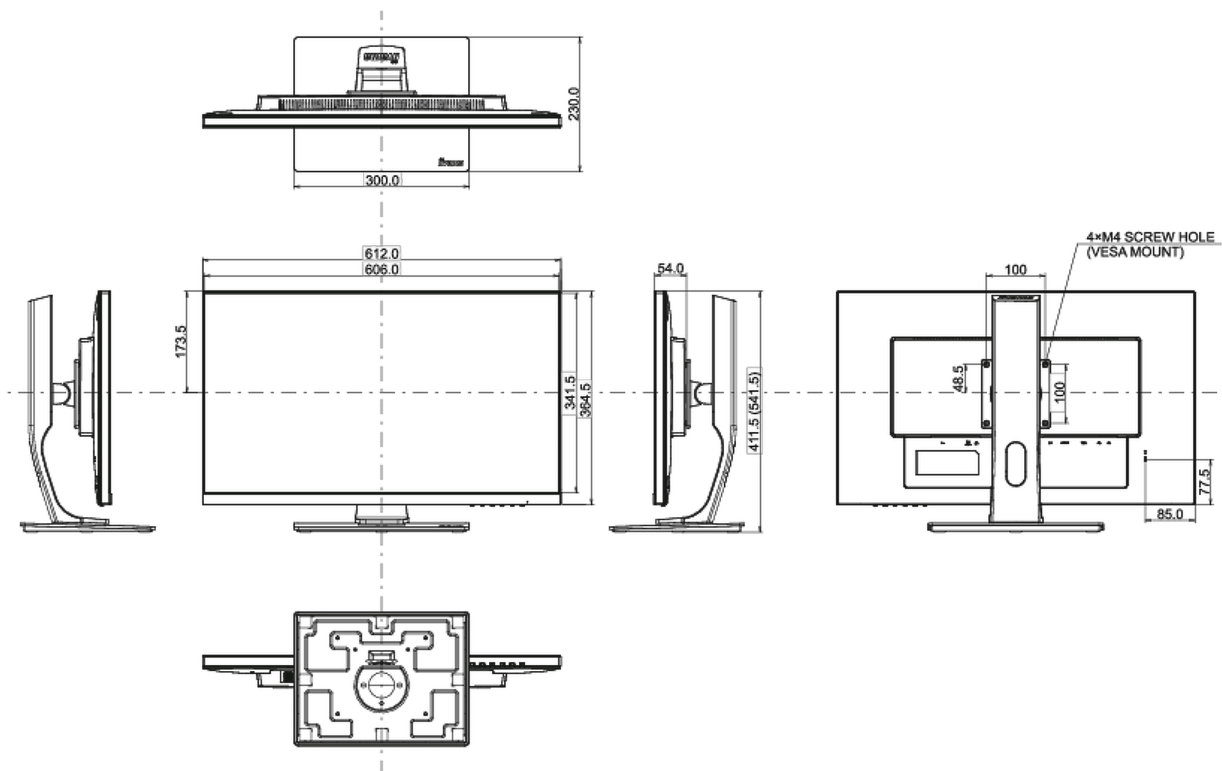
Power supply unit	internal
Power supply	AC 100 - 240V, 50/60Hz
Power usage	16.5W typical, 0.5W stand by, 0.5W off mode

## 07 SUSTAINABILITY

Regulations	TCO, CE, TÜV-GS, EAC, PSE, Energy Star , VCCI
Energy efficiency class	A+
Other	REACH SVHC above 0.1%: Lead

## 08 DIMENSIONS / WEIGHT

Product dimensions W x H x D	612 x 411.5 (541.5) x 230mm
Weight (without box)	7.1kg
EAN code	4948570117666



## 10 EU ENERGY EFFICIENCY LABEL

Manufacturer	iiyama
Model	ProLite XUB2792HSU-W1
Energy efficiency class	A+
Visible screen diagonal	68.6cm; 27"; (27" segment)
ON mode power consumption	19W
Annual energy consumption	27kWh/annum*
Power in Standby	0.5W stand by
Power in OFF Mode	0.5W off mode
Resolution	1920 x 1080

*This is information under Regulation (EU) No 1062/2010.\*Based on the power consumption of the television operating 4 hours per day for 365 days. The actual energy consumption will depend on how the television is used.*

*All trademarks and registered trademarks acknowledged. E & O E. Specification subject to change without notice. All LCD's comply with ISO-9241-307:2008 in connection with pixel defects.*

© IIYAMA CORPORATION. ALL RIGHTS RESERVED