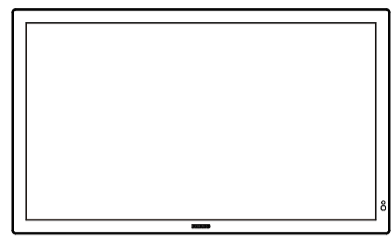
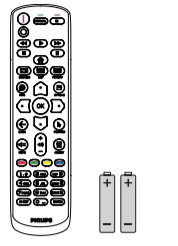


Contents



LCD Display



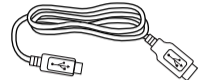
Remote Control and AAA Batteries



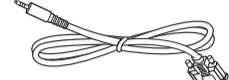
Quick Start Guide



Power Cord



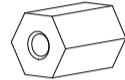
Touch USB



RS232 Cable



Philips Logo Plate



Wall Mount bolt X2PCS

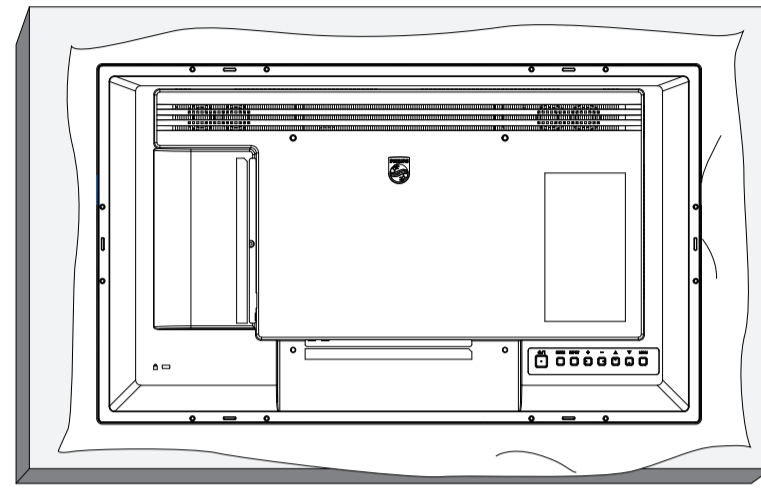


AC Adapter

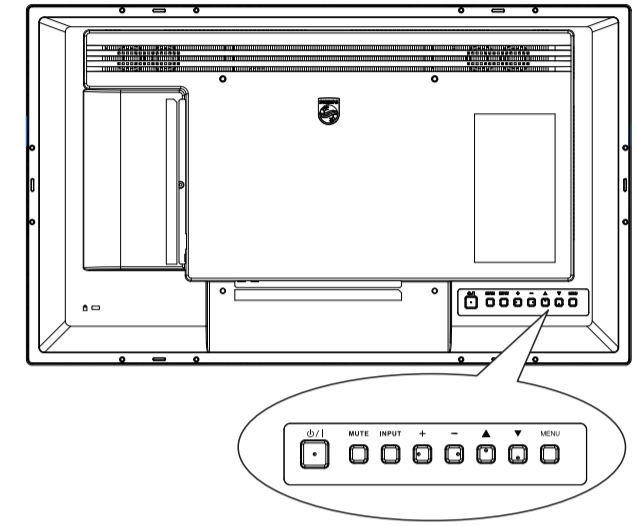
* Differences according to regions.
Display design and accessories may differ from those illustrated above.



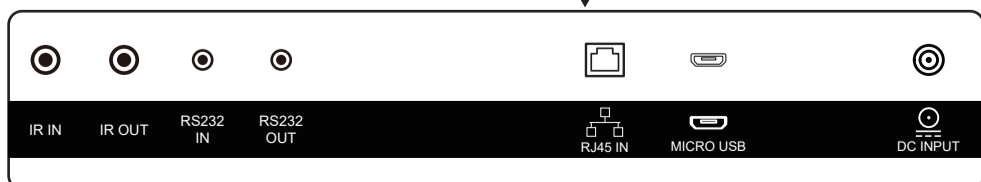
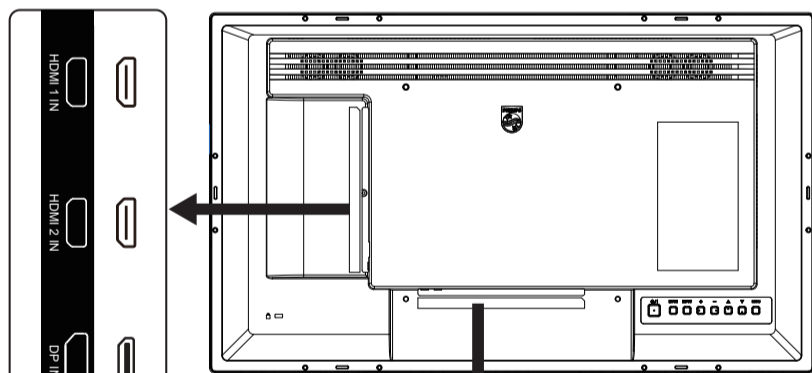
1 Unboxing



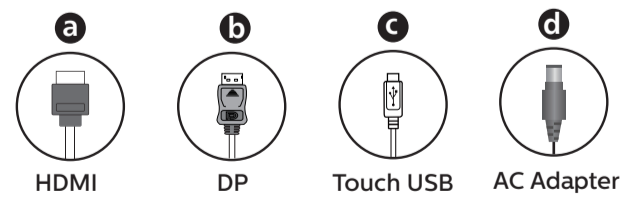
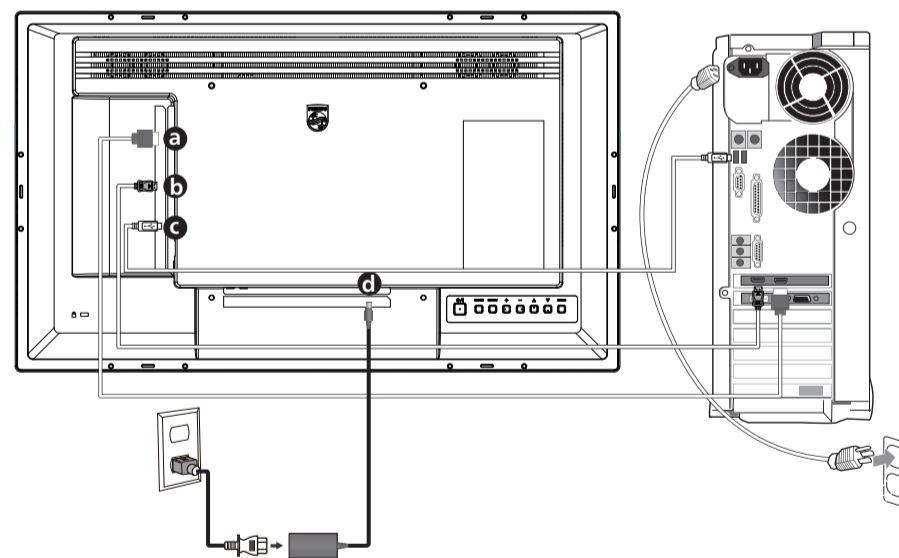
2 Control Panel



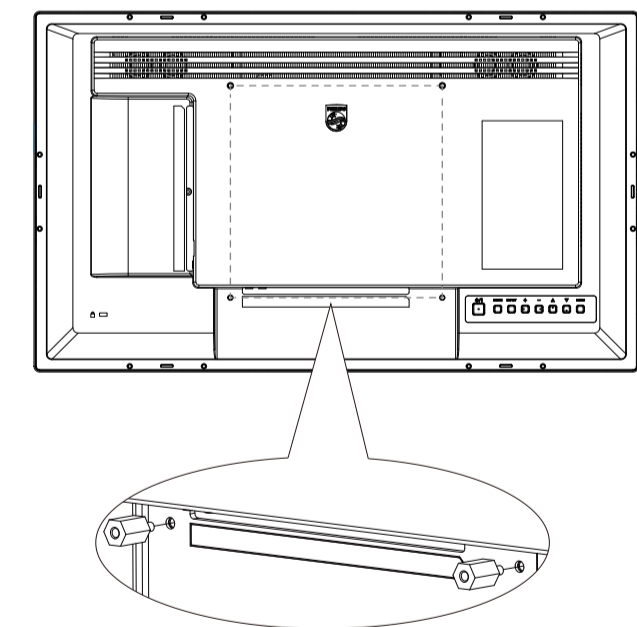
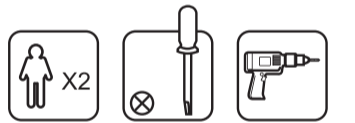
3 Input/Output Terminals



4 Connection

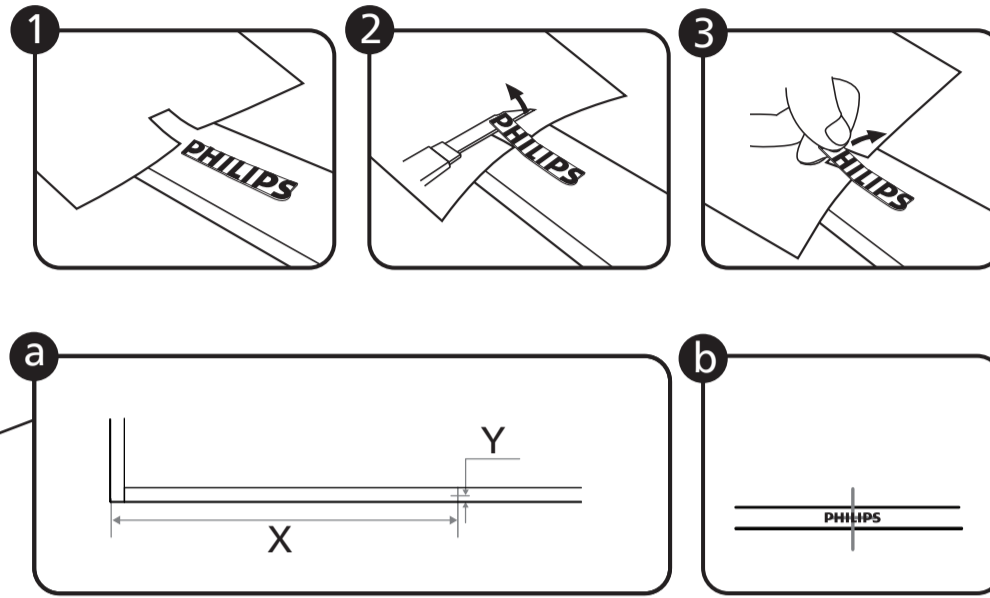
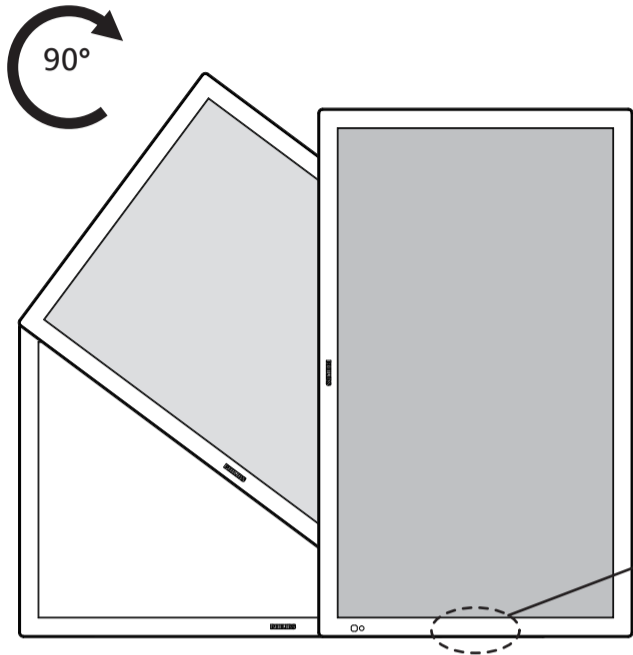


5 Installation



Key M4 * (10+X) mm
(X=Thickness of Wall Mount BKT)
24BDL3751T: 200mm x 200mm

6 Mounting in Portrait Orientation



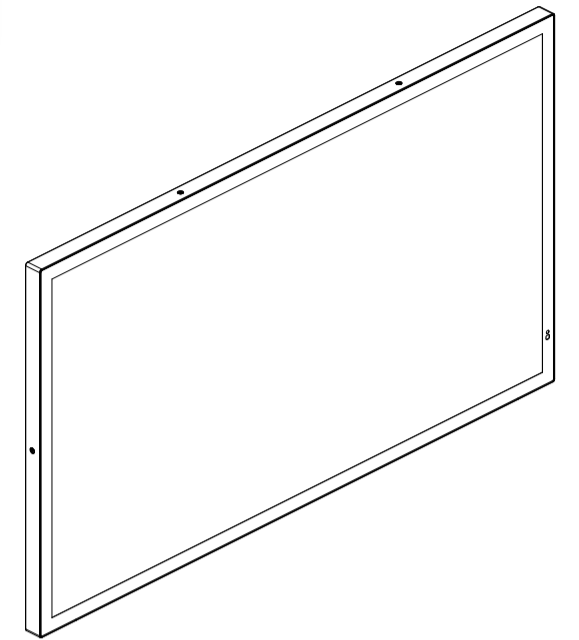
24BDL3751T: X=170.1 mm Y=11.7 mm

PHILIPS

Interactive Display

3000 Series

24BDL3751T



Quick Start



For more information, please visit:
<https://www.philips.com/ppds>



Version: V1.01 2024-11-19

TPV USA Corp
6525 Carnegie Blvd #200
Charlotte, NC 28211
USA

2024 © TOP Victory Investments Ltd. All rights reserved.

This product has been manufactured by and is sold under the responsibility of Top Victory Investments Ltd., and Top Victory Investments Ltd. is the warrantor in relation to this product. Philips and the Philips Shield Emblem are registered trademarks of Koninklijke Philips N.V. and are used under license.

Specifications are subject to change without notice.



Q41G24M181371B