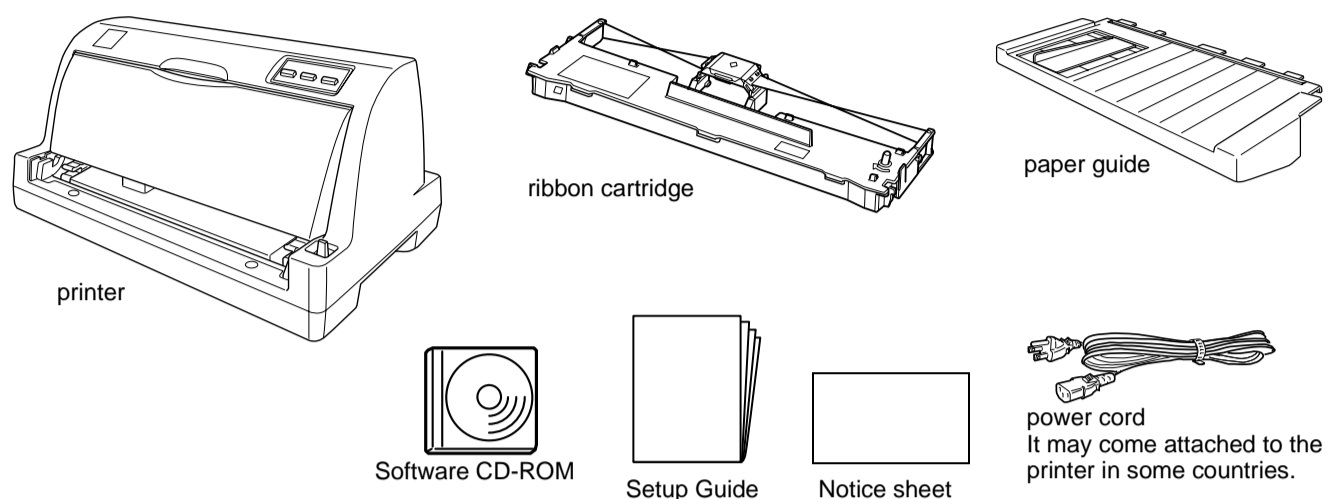


4041761-00
xxx

Warnings, Cautions, and Notes

Warnings must be followed carefully to avoid bodily injury. **Cautions** must be observed to avoid damage to your equipment. **Notes** contain important information and useful tips on the operation of your printer.

1 Unpacking the Printer

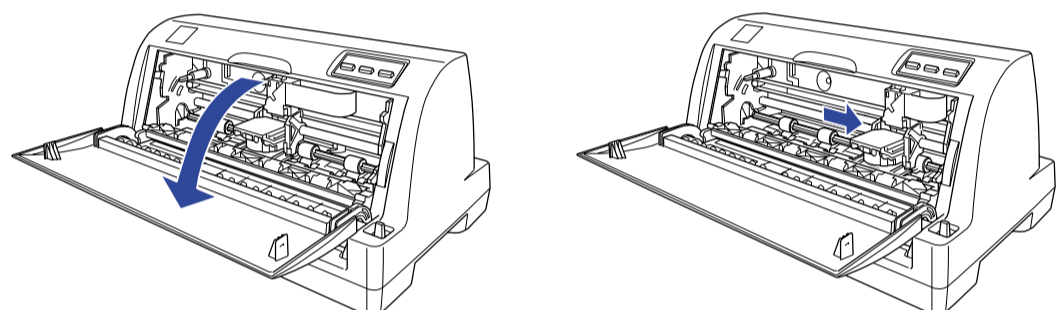


Remove the protective materials

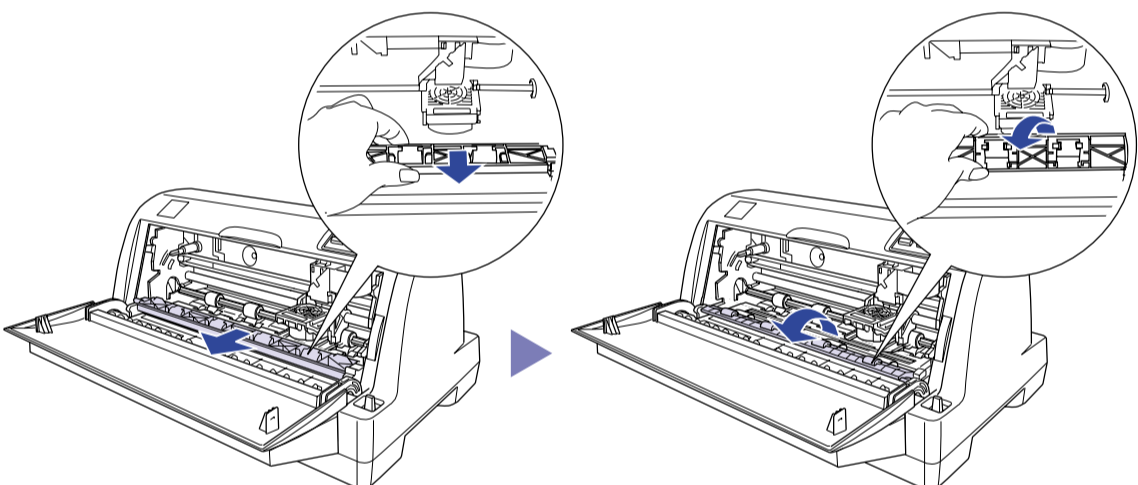
Follow the directions on the Notice Sheet to remove the protective materials. Save all packing and protective materials in case you need to ship the printer in the future.

2 Assembling the Printer

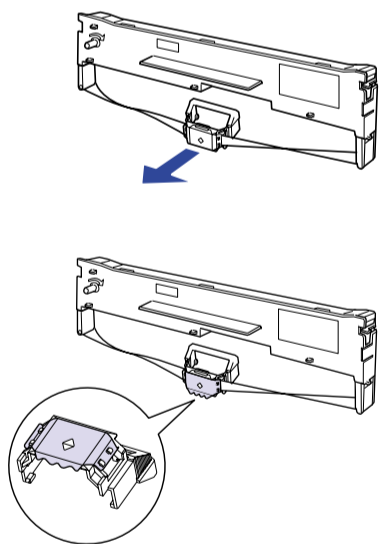
1. Make sure the printer is turned off and unplugged.
2. Open the printer cover. Then, move the print head slightly to the right.



3. Pull the paper bail forward, then flip it towards you, as shown.

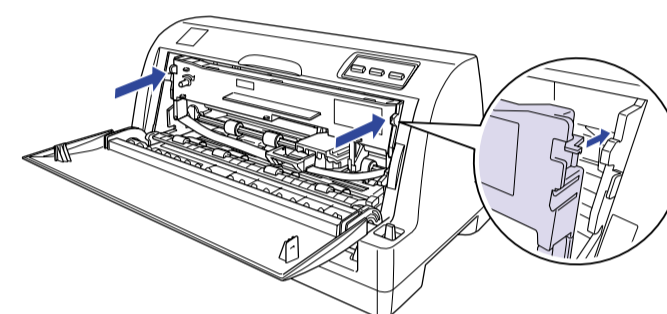


4. Remove the ribbon cartridge from the package.
5. Separate the ribbon guide from the cartridge by pulling the ribbon guide forward.

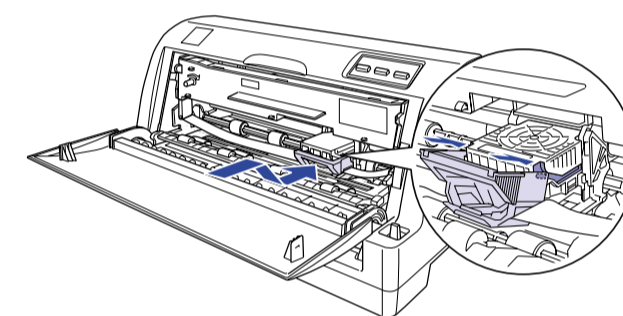


Caution: Do not tear off the clear film on the ribbon guide. Doing so may cause paper jams or printer malfunctions.

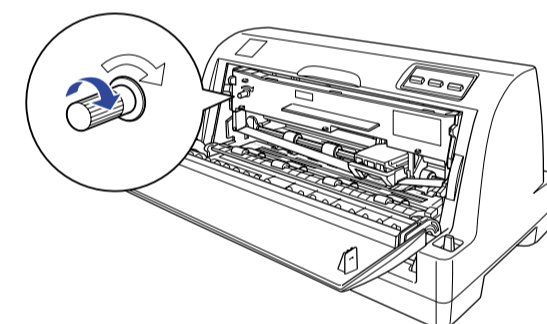
6. Insert the ribbon cartridge into the printer, then press both sides of the cartridge firmly to fit the plastic hooks into the printer slots.



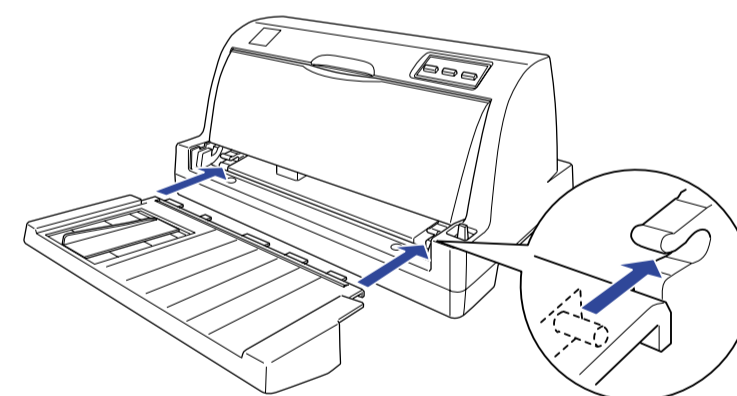
7. Hold the ribbon guide and slide the protruding parts on both sides into the slots of the print head until it clicks in place.



8. Turn the ribbon-tightening knob to help feed the ribbon into place; it should not be twisted or creased.



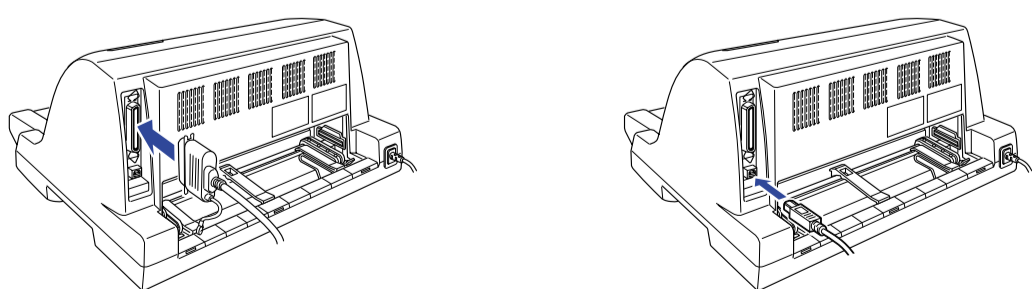
9. Close the paper bail and printer cover.
10. Attach the paper guide.



3 Connecting the Printer to Your Computer

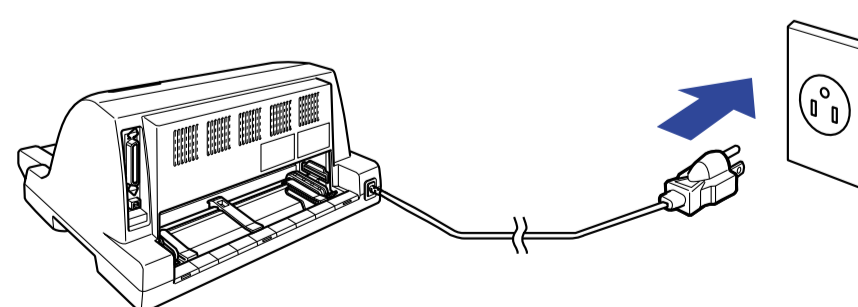
Connecting the printer

Make sure both the printer and computer are turned off, then connect the interface into the printer and computer.



Plugging in the Printer

Make sure the printer is turned off, then plug the power cord into a properly grounded electrical outlet.



4 Installing the Printer Software

For Windows Me, XP, or 2000 users

Note:

Installing the printer software for Windows XP or 2000 may require administrator privileges. If you have problems, ask your administrator for more information.

1. Make sure that the printer is turned off.
2. Insert the printer software CD-ROM into the CD-ROM drive. The Install dialog box appears.

Note:

If the Installer dialog box does not appear, double-click **Setup.exe** in the CD-ROM.

3. Select **Install Software**, and click **→**.
4. Follow the instructions on the screen.

For Windows 98, 95, or NT 4.0 users

Note:

- Installing the printer software for Windows NT 4.0 may require administrator privileges. If you have problems, ask your administrator for more information.
- The examples in the following section are from the Windows 98 operating system. They may vary in appearance from what actually appears on your screen; however, the instructions are the same.

1. Make sure that the printer is turned off, then insert the printer software CD-ROM into the CD-ROM drive. The install dialog box appears.

Note:

If the Installer dialog box does not appear, double-click **Setup.exe** in the CD-ROM.

2. Select **Install Software**, and click **→**.
3. Select your printer, then click **OK** and follow the instructions on the screen.
4. When prompted, insert your Windows CD-ROM, and click **OK**.

Note:

- If your PC shipped with Windows pre-installed, setup may complete without requiring the Windows CD-ROM, and your printer is ready to use.
- If you receive a message saying the drive is not accessible, click **Cancel** and try again.
- If you are using Windows NT 4.0, go to step 5.

5. Click **Browse** to select appropriate path for the printer driver, then click **OK** and follow the instructions on the screen.

Note:

If you are using Windows NT 4.0, insert your Windows CD-ROM when prompted on the screen.

6. Select the appropriate file in the folder, then click **OK**.
7. When prompted, insert the Printer Driver Software CD-ROM, then click **Browse** to select appropriate path.

Note:

- If you receive a message saying the drive is not accessible, click **Cancel** and try again.
- If a "System Error" message appears, click **Cancel**. The exact message differs depending on your version of Windows.
- If you are using Windows NT 4.0, you do not need to specify a path.
- If you are using Windows 98, Printer Utility Setup may start. If it does, follow the instructions on the screen.

8. Setup is complete. You are ready to use.

For DOS programs

To control the printer from DOS application programs, you need to select the printer you are using.

If the list in your application does not include your printer, choose the first available printer from the list below.

Choose the EPSON printer at the appropriate step in the installation or setup procedure. If the list in your application does not include your printer, choose the first available printer from the list below:

1) LQ-680/LQ-680 Pro	6) LQ-300+
2) LQ-670	7) LQ-1150
3) DLQ-3500	8) LQ-2070/2080
4) DLQ-3000+	9) LQ-2170/2180
5) LQ-580/LQ-570e	10) EPSON LQ printer

Once the printer software has been successfully installed onto your computer, your printer is ready to use.

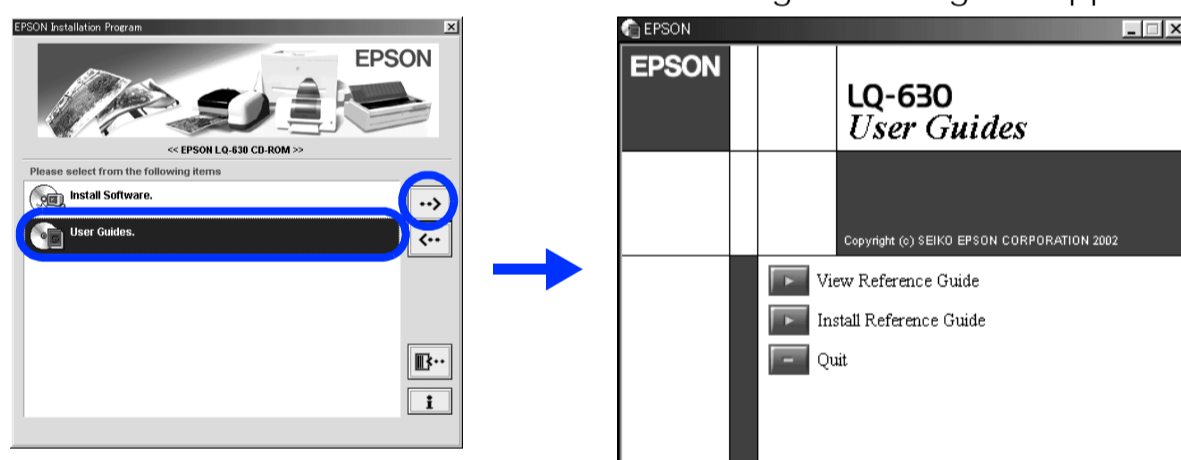
Getting More Information

Using the Reference Guide

The *Reference Guide* provides detailed information on the Printer's functions, optional products, Printer software, troubleshooting, and technical specifications.

Follow these steps to access the *Reference Guide* from the CD-ROM:

1. Insert the printer software CD-ROM in the CD-ROM drive.
2. Double-click **User Guides** from the screen. The online guide dialog box appears.



Replacing the Ribbon Cartridge

Warning:

If you have just used the printer, the printer may be hot; let it cool for a few minutes before touching it.

When printing becomes faint, you need to replace the ribbon cartridge. Follow the steps below.

1. Make sure the printer is turned off and unplugged.
2. Open the printer cover and paper bail.
3. Hold the ribbon guide and move the print head slightly to the left.
4. Remove the ribbon cartridge by pulling the ribbon guide and then the body of the cartridge forward.
5. Follow steps 5 - 10 in the Assembling the Printer section on the front of this Setup Guide.

Note:

EPSON recommends the use of genuine EPSON ribbon cartridges (S015290).

Error Indicators

If your printer stops working and one or more control panel lights are on or flashing or the printer beeps, use the following table to diagnose and fix the problem.

For other patterns, refer to the Reference Guide.

State of panel lights	Beep pattern	Problem	Solution
<input type="checkbox"/> Power <input type="checkbox"/> Pause <input type="checkbox"/> Paper Out	•••	No paper is loaded in the selected paper source.	Load paper in the selected paper source; the Paper Out and Pause light go off and the printer resumes printing.
<input type="checkbox"/> Power <input type="checkbox"/> Pause <input type="checkbox"/> Paper Out	•••	Paper is not loaded correctly.	Remove and reload your paper correctly, then press the Pause button. See Paper Handling in the online Reference Guide for paper-loading instructions.
		Paper is not fully ejected.	Press the Load/Eject button to eject the sheet.
<input type="checkbox"/> Power <input type="checkbox"/> Pause <input checked="" type="checkbox"/> Paper Out	•••	The paper release lever is set to the wrong position.	Set the paper release lever to the position for the paper source you want to use. If paper from another paper source is currently in the paper path, press the Load/Eject button to eject the paper; then move the paper release lever to the desired position.

■ = off, □ = on, ◻ = flashing

••• = short series of beeps (three beeps)