



## ORIGINAL SAFETY AND OPERATING MANUAL

# HEAT GUN PREMIUM

## Model:

### ■ 0503JS-HG12D 2000W

This instruction manual is issued by the manufacturer FRIENDLY WATER LTD., NINGBO, Rm1001-1, 10th floor, Yaojiang Xindu, CHINA

Importer for Bulgaria: "VALERII S & M GROUP" AD, Sofia, №44 "Botevgradsko shose" blvd Tel. :02/ 942 34 00, Fax: +359 2 942 34 40, [www.valerii.com](http://www.valerii.com)

## IMPORTANT SAFETY INSTRUCTIONS

### SAVE THESE INSTRUCTIONS

- a. if the supply cord is damaged, it must be replaced by manufacturer, its service agent or similarity qualified persons in order to avoid a hazard.
- b. a fire may result if the appliance is not used with care, therefore
  - be careful when using the appliance in places where there are combustible materials;
  - do not apply to the same place for long time;
  - do not use in presence of an explosive atmosphere;
  - be aware that heat may be conducted to combustible materials that are out of sight;
  - place the appliance on its stand after use and allow it to cool down before storage;
  - do not leave the appliance unattended when it is switched on..
- c. The appliance is not intended for use by persons (including children) with reduced physical sensory or mental capabilities, or lack of experience and knowledge, unless they have been given supervision or instruction concerning use of the appliance by a person responsible for their safety.

Children should be supervised to ensure that they do not play with the appliance.

## Safety Rules



**WARNING:** Non-observance of the safety rules while working with the hot air tool can lead to fire, explosion, electric shock or burns. Read the operating instructions before using the tool and always observe the safety rules. Save these instructions and give them to persons that have not been instructed before they use the tool.



**WARNING:** A damaged casing or an opened unit can lead to a hazardous electric



e-mail: [info@valerii.com](mailto:info@valerii.com)

[www.valerii.com](http://www.valerii.com)

Сервиз: тел. 02/ 942 34 70 (национален)

Централен офис: София 1517  
кв. "Сухата река" бул. "Ботевградско шосе" 44  
тел.: 02/ 942 34 00, факс.: 02/ 945 4634  
GSM 0889/ 444 991

Пловдив, с.Труд 4199  
ул. "Строевско шосе" 3  
тел./факс 032/ 953 666  
GSM 0885/ 808 003

Варна 9000, кв. "Владиславово"  
бул. "Атанас Москов" 13  
тел.: 052/ 504 514  
GSM 0885/ 808 004

София 2227, кв."Божурище"  
бул. "Европа" 180, склад 33  
тел.: 02/ 925 22 37  
GSM 0889/ 334 692

Проверил: Р.Ч./08.2015г



shock. Do not open the unit and do not put a damaged unit into operation. Do not drill into the casing, e.g. to attach a company label. Before any work on the unit, pull the mains plug.



**WARNING:** A damaged power cord can lead to a hazardous electric shock. Check the power cord regularly. Do not operate the unit when the power cord is damaged. Always have a damaged cord replaced through a specialist. Do not wrap the cord around the unit and protect it from oil, heat and sharp edges. Do not carry the unit by the cord and do not use the cord to pull the plug from the outlet.



**WARNING:** Do not work in rain or in a moist or wet environment. This can lead to a hazardous electric shock. Keep the unit dry. Store the unit in a dry location when not in use. Consider the weather conditions. Do not work in wet sanitary facilities. Avoid body contact with grounded cables or surfaces, such as pipes, radiators, ranges and refrigerators.



**WARNING:** Connect power tools that are used in the open via a residual current circuit breaker (RCCB).



**WARNING:** Danger of explosion! The hot air tool can explosively ignite combustible fluids and gases. Do not work in a potentially explosive environment. Check the surrounding before starting to work. Do not work on fuels or gas containers or in their vicinity, even when they are empty.



**WARNING:** Danger of fire! Heat can reach combustible materials that are hidden behind coverings, in ceilings, floors or cavities, and ignite them. Inspect the work area before starting to work and in case of doubt, abstain from using the hot air tool. Do not point the unit at the same spot for extended periods.



**WARNING:** Danger of fire! An unsupervised operating hot air tool can set fire to objects that are close by. The unit must be supervised at all times during operation. When allowing the switched off unit to cool down, always place it down vertical and standing. Allow the unit to cool down completely.



**WARNING:** Danger of fire! When working plastics varnish or similar materials, gases develop that are easily inflammable and can lead to explosions. Be prepared for flames to develop and keep suitable fire-extinguishing means at hand.



**WARNING:** Danger of intoxication! When working plastics, varnish or similar materials, gases develop that can be aggressive or toxic. Avoid breathing in vapours, even when they appear to be harmless. Always provide for good ventilation of the work area or wear a respirator.



e-mail: [info@valerii.com](mailto:info@valerii.com) [www.valerii.com](http://www.valerii.com)  
Сервиз: тел. 02/ 942 34 70 (национален)

Централен офис: София 1517  
кв. "Сухата река" бул. "Ботевградско шосе" 44  
тел.: 02/ 942 34 00, факс.: 02/ 945 4634  
GSM 0889/ 444 991

Пловдив, с.Труд 4199  
ул. "Строевско шосе" 3  
тел./факс 032/ 953 666  
GSM 0885/ 808 003

Варна 9000, кв. "Владиславово"  
бул. "Атанас Москов" 13  
тел.: 052/ 504 514  
GSM 0885/ 808 004

София 2227, кв."Божурище"  
бул. "Европа" 180, склад 33  
тел.: 02/ 925 22 37  
GSM 0889/ 334 692



**WARNING:** Danger of injury! The hot air jet can injure persons or animals. Touching the hot tube of the heating element or the nozzle leads to skin burns. Keep children and other persons away from the unit. Do not touch the tube of the heating element or the nozzle when they are hot. **Do not use the unit as a hair dryer.** It develops much more heat than a hair dryer. Do not use the unit to heat up fluids or to dry objects or materials that are destroyed through the influence of hot air.



**WARNING:** Unintentional starting or unexpected switching on of the heating element after actuation of the thermal relay can lead to injuries. Make sure that the switch is set to OFF when connecting the unit to the mains supply. Switch the unit OFF when the thermal relay has actuated



**WARNING:** Danger of injury! Using an air flow reflection nozzle that is not suitable for your unit can lead to burns. Use only original accessories for your model that are listed in these operating instructions.



**WARNING:** Danger of injury and fire. The hot air tool is dangerous for children. Keep the hot air tool out of the reach of children.



**DANGER:** Danger of lead overheating! Incorrect handling can lead to an accumulation of heat and thus damage the unit. Do not operate the unit when it is placed down horizontally or when pointed downward. The air –intake opening and the nozzle must not be covered. Use only nozzles that are suitable for your unit.

## Technical Data

Model		0503JS-HG12D
Voltage	(V)	220-240
Frequency	(Hz)	50/60
Power	(W)	2000
Switch position		0- I - II
Protection class		II/ <input type="checkbox"/> double insulated
Temperature °C		50-600

## Intend use

When observing the safety rules and using the original accessories, this hot air tool is intended for all applications with hot air that are listed in these operating instruction



e-mail: [info@valerii.com](mailto:info@valerii.com)

[www.valerii.com](http://www.valerii.com)

Сервиз: тел. 02/ 942 34 70 (национален)

Централен офис: София 1517  
 кв. "Сухата река" бул. "Ботевградско шосе" 44  
 тел.: 02/ 942 34 00, факс.: 02/ 945 4634  
 GSM 0889/ 444 991

Пловдив, с.Труд 4199  
 ул. "Строевско шосе" 3  
 тел./факс 032/ 953 666  
 GSM 0885/ 808 003

Варна 9000, кв. "Владиславово"  
 бул. "Атанас Москов" 13  
 тел.: 052/ 504 514  
 GSM 0885/ 808 004

София 2227, кв."Божурище"  
 бул. "Европа" 180, склад 33  
 тел.: 02/ 925 22 37  
 GSM 0889/ 334 692



Applications
Shrinking of shrinkdown tubing, solder connectors and solder terminals, packaging and electrical components.
Deforming of articles made from acrylic, PVC, and polystyrene, tubing, plates and profiles, as well as moist woods.
Welding of thermoplastic polymer, flooring materials of PVC and linoleum, PVC-coated fabric, tarpaulins and foils.
Soldering of tin, special silver solder, SMD elements, cable lugs, and for loosening soldered connections.
Paint removal –Removal of old and even thick coatings of oil paint, varnish and synthetic plaster.
Drying of colour shade samples, filter, adhesives, construction joints and stucco forms.
Joining adhesives-Large-surface gluing with contact adhesives, activation of pressure-sensitive adhesives, acceleration of bonding processes, releasing of bonding points as well as releasing or bonding of edge bond or venee.
Defrosting of icy stairs and steps, door locks, trunk lids, car doors or water pipes, as well as for defrosting refrigerators and ice boxes.
Disinfection-With hot air of 600 °C , you can quickly rid animal sties/stables of bacteria. Woodworm infestation can be controlled (Caution: Danger of fire! Do not heat up the wooden surface excessively).

## Regulating the Air flow

The air flow can be regulated with the air-flow control button



Minimal air flow



Maximum air flow

To increase the air flow, press on the “+” of the air-flow control button **8**, to decrease the air flow, press on the “-”.

## Setting the Temperature



The temperature can only be regulated in the hot-air stage .To increase the temperature, press on the “+” of the temperature-control button **9**, to decrease the temperature, press on the “-”.



e-mail: [info@valerii.com](mailto:info@valerii.com) [www.valerii.com](http://www.valerii.com)  
Сервиз: тел. 02/ 942 34 70 (национален)

Централен офис: София 1517  
кв. "Сухата река" бул. "Ботевградско шосе" 44  
тел.: 02/ 942 34 00, факс.: 02/ 945 4634  
GSM 0889/ 444 991

Пловдив, с.Труд 4199  
ул. "Строевско шосе" 3  
тел./факс 032/ 953 666  
GSM 0885/ 808 003

Варна 9000, кв. "Владиславово"  
бул. "Атанас Москов" 13  
тел.: 052/ 504 514  
GSM 0885/ 808 004

София 2227, кв."Божурище"  
бул. "Европа" 180, склад 33  
тел.: 02/ 925 22 37  
GSM 0889/ 334 692



## Cool-air Stage

0
1
2

The air flow can be regulated, the temperature is set to 50 °C (cannot be regulated)

The cool-air stage is suitable for cooling down a heated-up workpiece or for drying paint. It is also suitable for cooling down the power tool before placing it down or changing nozzles. When changing from the hot-air stage with higher temperatures, it will take a few moments until the power tool has cooled down to 50 °C. During cooling down, the display indicates the actual temperature at the nozzle outlet. When changing from the hot-air stage to the cool-air stage, the current air-flow settings are taken over.

## Maintenance and Cleaning

Before any work on the unit itself, pull the power plug.

For safe and efficient working, always keep the unit and its ventilations slots clean.

If the unit should fail despite the care taken in manufacture and testing, repair should be carried out by an authorized customer service agent for power tools.

## Meaning of crossed –out wheeled dustbin:



Do not dispose of electrical appliances as unsorted municipal waste, use separate collection facilities.

Contact you local government for information regarding the collection systems available.

If electrical appliances are disposed of in landfills or dumps, hazardous substances can leak into the groundwater and get into the food chain, damaging your health and well-being.

When replacing old appliances with new ones, the retailer is legally obligated to take back your old appliance for disposals at least free of charge.



e-mail: [info@valerii.com](mailto:info@valerii.com)

[www.valerii.com](http://www.valerii.com)

Сервиз: тел. 02/ 942 34 70 (национален)

Централен офис: София 1517  
кв. "Сухата река" бул. "Ботевградско шосе" 44  
тел.: 02/ 942 34 00, факс.: 02/ 945 4634  
GSM 0889/ 444 991

Пловдив, с.Труд 4199  
ул. "Строевско шосе" 3  
тел./факс 032/ 953 666  
GSM 0885/ 808 003

Варна 9000, кв. "Владиславово"  
бул. "Атанас Москов" 13  
тел.: 052/ 504 514  
GSM 0885/ 808 004

София 2227, кв."Божурище"  
бул. "Европа" 180, склад 33  
тел.: 02/ 925 22 37  
GSM 0889/ 334 692

Проверил: П.Ч./08.2015г



## TRADUCEREA INSTRUCȚIUNII DE UTILIZARE SI SIGURANTA IN ORIGINAL

### PISTOL CU AER CALD PREMIUM

#### Model:

**0503JS-HG12D 2000W**

**Prezenta instructiune este emisa de catre producator: FRIENDLY WATER LTD.**

NINGBO, Rm1001-1, 10th floor, Yaojiang Xindu, China

**Importator pentru Bulgaria: "VALERII S&M GROUP" SA, Sofia, brd. Botevgradsko shose 44**

Tel.: +359 2 / 942 34 00, Fax: +359 2 942 34 40, [www.valerii.com](http://www.valerii.com)

## INSTRUCȚIUNI IMPORTANTE DE SIGURANTA

### PASTRATI ACESTE INSTRUCȚIUNI

- a. In cazul in care cablul de alimentare este defect, acesta trebuie schimbat de catre producator, tehnicianul de serviciu sau de catre persoana calificata, pentru a se evita pericole.
- b. Poate sa apara incendiu, in cazul in care dispozitivul nu este utilizat cu atentie, de aceea:
  - fiti foarte atenti atunci cand utilizati dispozitivul in locuri unde exista materiale inflamabile;
  - nu apropiati de unul si acelasi loc, pentru o perioada indelungata de timp;
  - nu folositi in prezenta aerului exploziv;
  - atenție, caldura poate sa ajunga pana la materialele inflamabile, care nu sunt vizibile;
  - dupa utilizare pozitionati dispozitivul pe suport si lasati sa se raceasca inainte de a depozita;
  - nu lasati dispozitivul fara supraveghere, timp in care acesta este pornit.
- c. Dispozitivul nu este destinat pentru utilizare de catre persoane (inclusiv copii) cu abilitati fizice senzoriale si mentale reduse, sau cu lipsa de experienta si cunostinte, cu exceptia cazurilor in care acestia au fost supravegheati sau



e-mail: [info@valerii.com](mailto:info@valerii.com)

[www.valerii.com](http://www.valerii.com)

Сервиз: тел. 02/ 942 34 70 (национален)

Централен офис: София 1517  
кв. "Сухата река" бул. "Ботевградско шосе" 44  
тел.: 02/ 942 34 00, факс.: 02/ 945 4634  
GSM 0889/ 444 991

Пловдив, с.Труд 4199  
ул. "Строевско шосе" 3  
тел./факс 032/ 953 666  
GSM 0885/ 808 003

Варна 9000, кв. "Владиславово"  
бул. "Атанас Москов" 13  
тел.: 052/ 504 514  
GSM 0885/ 808 004

София 2227, кв."Божурище"  
бул. "Европа" 180, склад 33  
тел.: 02/ 925 22 37  
GSM 0889/ 334 692

Проверил: П.Ч./08.2015г



instruiti, cu privire la utilizarea dispozitivului, de catre persoana calificata cu privire la securitatea acestora.

Copii trebuie supravegheati pentru a fi siguri ca nu se joaca cu dispozitivul.



## Reguli de siguranta

**AVERTISMENT:** Nerespectarea regulilor de siguranta pe timp de lucru cu dispozitivul cu aer cald, poate duce la incendii, explozii, electrocutari sau arsuri. Inainte de a utiliza instrumentul, cititi cu atentie instructiunile de exploatare si respectati intotdeauna regulile de siguranta. Pastrati aceasta instructiune si puneti la dispozitia persoanelor care nu au fost instruite, inainte de a utiliza dispozitivul.



**AVERTISMENT:** O carcasa deteriorata sau un dispozitiv deschis poate provoca pericol de electrocutare. Nu deschideti dispozitivul si nu lucrati cu dispozitiv defect. Nu perforati carcasa, de exemplu pentru a fixa pe acesta logo-ul companiei dvs. Inainte de fiecare manipulare pe masina, deconectati stecherul din priza.



**AVERTISMENT:** Un cablu de alimentare deteriorat poate duce la pericol de electrocutare. Verificati periodic cablul de alimentare. Nu lucrati cu dispozitivul respectiv, atunci cand cablul de alimentare este deteriorat. Cablul de alimentare trebuie schimbat de catre personal calificat. Nu infasurati cablul de alimentare in jurul masinii si pastrati departe de uleiuri, surse de caldura si obiecte ascutite. Nu trageti dispozitivul de cablu si nu folositi cablul pentru a scoate stecherul din priza.



**AVERTISMENT:** Nu utilizati dispozitivul in ploaie sau in conditii de umezeala. Acest fapt poate duce la pericol de electrocutare. Pastrati dispozitivul uscat. Depozitati in loc uscat atunci cand acesta nu se utilizeaza. Luati in considerare conditiile meteorologice. Nu lucrati in incaperi sanitare umede. Evitati contactul fizic cu suprafetele si cablurile impamantate, cum ar fi conductele, radiatoarele, masinile de gatit si frigidererele.



**AVERTISMENT:** Legati masinile care se utilizeaza in spatii exterioare prin cadrul intrerupatorului automat diferential (RCCB).



e-mail: [info@valerii.com](mailto:info@valerii.com)

[www.valerii.com](http://www.valerii.com)

Сервиз: тел. 02/ 942 34 70 (национален)

Централен офис: София 1517  
кв. "Сухата река" бул. "Ботевградско шосе" 44  
тел.: 02/ 942 34 00, факс.: 02/ 945 4634  
GSM 0889/ 444 991

Пловдив, с.Труд 4199  
ул. "Строевско шосе" 3  
тел./факс 032/ 953 666  
GSM 0885/ 808 003

Варна 9000, кв. "Владиславово"  
бул. "Атанас Москов" 13  
тел.: 052/ 504 514  
GSM 0885/ 808 004

София 2227, кв."Божурище"  
бул. "Европа" 180, склад 33  
тел.: 02/ 925 22 37  
GSM 0889/ 334 692



**AVERTISMENT:** Pericol de explozie! Pistolul cu aer cald poate in mod exploziv sa aprinda fluidele si gazele inflamabile. Nu lucrati in mediu potential exploziv. Verificati mediul inconjurator inainte de a incepe activitatea. Nu continuati sa lucrati in prezenta containerelor inflamabile de gaz sau in apropiere de acestea, chiar si in situatia in care acestea sunt goale.



**AVERTISMENT:** Pericol de incendiu! Caldura poate sa ajunga pana la materialele inflamabile, care sunt ascunse in spatele unor placari, pardosele sau goluri in pereti si sa le aprinda. Verificati zona de lucru, inainte de a incepe activitatea si in caz de dubiu abtineti-va cu privire la utilizarea pistolul cu aer cald. Nu indreptati dispozitivul catre unul si acelasi loc pentru o perioada foarte lunga de timp.



**AVERTISMENT:** Pericol de incendiu! Utilizarea pistolului cu aer cald fara supraveghere poate provoca incendierea obiectelor aflate in jurul acestora. Dispozitivul trebuie supravegheat permanent pe timp de lucru. Atunci cand lasati dispozitivul decuplat sa se raceasca, intotdeauna lasati in pozitie verticala si stabila. Asteptati pana se va raci in totalitate.

**AVERTISMENT:** Pericol de incendiu! Atunci cand lucrati cu materiale plastice, lac sau materiale similare, se emana gaze, care sunt usor incendiabile si pot duce la explozie. Fiti pregatiti pentru aparitia eventualei flacari si tineti intotdeauna la indemana mijloace corespunzatoare de stingere.



**AVERTISMENT:** Pericol de intoxicatie! Atunci cand lucrati cu materiale plastice, lac sau materiale similare, se emana gaze, care pot fi agresive sau toxice. Evitati inhalarea vaporilor, chiar si atunci cand acestea sunt inofensive. Asigurati intotdeauna o aerisire buna in zona de lucru sau purtati aparat respirator.



**AVERTISMENT:** Pericol de accidentare! Jetul de aer cald sub presiune poate afecta persoanele sau animalele. Atingerea tubului cald la elementul de incalzire sau la jetul pistolului poate provoca arsuri cutanate. Tineti copii si persoanele neautorizate departe de dispozitiv. Nu atingeti tubului la elementul de incalzire sau jetul, atunci cand sunt calde. **Nu utilizati dispozitivul in locul**



e-mail: [info@valerii.com](mailto:info@valerii.com) [www.valerii.com](http://www.valerii.com)  
Сервиз: тел. 02/ 942 34 70 (национален)

Централен офис: София 1517  
кв. "Сухата река" бул. "Ботевградско шосе" 44  
тел.: 02/ 942 34 00, факс.: 02/ 945 4634  
GSM 0889/ 444 991

Пловдив, с.Труд 4199  
ул. "Строевско шосе" 3  
тел./факс 032/ 953 666  
GSM 0885/ 808 003

Варна 9000, кв. "Владиславово"  
бул. "Атанас Москов" 13  
тел.: 052/ 504 514  
GSM 0885/ 808 004

София 2227, кв."Божурище"  
бул. "Европа" 180, склад 33  
тел.: 02/ 925 22 37  
GSM 0889/ 334 692





**uscatorului de par.** Dispozitivul emana o caldura mult mai mare decat uscatorul de par. Nu utilizati pentru a incalzi lichide sau pentru a usca anumite obiecte sau materiale, care se pot deteriora sub actiunea aerului cald.



**AVERTISMENT:** Pornirea accidentala sau cuplarea neasteptata a elementului de incalzire dupa actionarea releului termic poate duce la leziuni grave. Asigurati-va ca comutatorul este in pozitie OPRIT, atunci cand cuplati la sursa de alimentare electrica. Deconectati masina in cazul in care releul de temperatura sa cuplat.



**AVERTISMENT:** Pericol de accidentare! Utilizarea duzei de directionare, care nu este corespunzatoare pentru dispozitivul dvs., poate duce la arsuri. Folositi numai accesorii originale pentru modelul dvs., care sunt descrise in prezentul manual de utilizare.




**AVERTISMENT:** Pericol de accidentare si incendiu! Pistolul cu aer cald este foarte periculos pentru copii. Pastrati departe de accesul copiilor.



**PERICOL:** Pericol de supraincalzire fortata! Utilizarea necorespunzatoare poate duce la acumularea caldurii si aceasta sa deterioreze dispozitivul. Nu utilizati dispozitivul atunci cand acesta este pozitionat orizontal in jos sau atunci cand este pozitionat in jos. Orificiul de intrare al tevii de aer si al duzei nu trebuie sa fie acoperite. Folositi numai duze care sunt corespunzatoare pentru dispozitivul dvs.

## Date tehnice

Model		<b>0503JS-HG12D</b>
Tensiune	(V)	<b>220-240</b>
Frecventa	(Hz)	<b>50/60</b>
Putere	(W)	<b>2000</b>
Pozitie comutator		<b>0- I - II</b>
Clasa de protectie		<b>II /  double insulated</b>
Temperatura °C		<b>50-600</b>



e-mail: [info@valerii.com](mailto:info@valerii.com)

[www.valerii.com](http://www.valerii.com)

Сервиз: тел. 02/ 942 34 70 (национален)

Централен офис: София 1517  
кв. "Сухата река" бул. "Ботевградско шосе" 44  
тел.: 02/ 942 34 00, факс.: 02/ 945 4634  
GSM 0889/ 444 991

Пловдив, с.Труд 4199  
ул. "Строевско шосе" 3  
тел./факс 032/ 953 666  
GSM 0885/ 808 003

Варна 9000, кв. "Владиславово"  
бул. "Атанас Москов" 13  
тел.: 052/ 504 514  
GSM 0885/ 808 004

София 2227, кв."Божурище"  
бул. "Европа" 180, склад 33  
тел.: 02/ 925 22 37  
GSM 0889/ 334 692

Проверил: Р.Ч./08.2015г



## Destinatie de utilizare

Atunci cand se respecta conditiile de siguranta si se utilizeaza accesorii originale, acest pistol cu aer cald este destinat pentru toate aplicatiile cu aer cald, care sunt descrise in prezentul manual de utilizare.

Aplicatii
Reducerea prin contractie a tuburilor la instalatiile sanitare, legaturile sudate si conexiunile sudate, componentele de montaj si cele electrice.
Indoirea articolelor fabricate din material acrilic, PVC si polistiren; instalatii sanitare, placi si profile, precum si copaci umezi.
Lipirea polimerului termoplastic, materiale din PVC pentru pardoseala si linoleu, tesuturi cu acoperire din PVC, musama si folie.
Lipirea tablei de metal, lipirea speciala de argint, elemente SMD, sisteme de cabluri si pentru lipirea articulatiilor slabite.
Indepartarea vopselei – Indepartarea vopselelor vechi si foarte dese pe baza de ulei, a lacului si a ipsosului sintetic.
Uscarea diferentelor de culoare la esantioane, filtre, adezive, legaturi de constructie si forme din ipsos de gips pentru decoratiuni interne sau externe.
Lipirea adezivilor – Suprafata mare aplicata cu adeziv de contact, activarea adezivilor de contact, accelerarea proceselor de aderare, inchiderea punctelor de legatura, precum si inchiderea marginilor de legatura sau a placarilor.
Dezghetarea scarilor si treptelor inghetate, a incuietoarelor, capacelor la coloanele de aerisire, usile la automobile sau conductele de apa, precum si dezghetarea frigiderelor si a congelatoarelor.
Dezinfectare – Cu aer cald la 600°C, puteti elimina foarte repede bacteriile din incaperile pentru animale. Invazia in masa a carilor de lemn poate fi controlata. (Atentie: Pericol de incendiu! Nu incalziti suprafata de lemn foarte mult).

## Reglarea fluxului de aer

Fluxul de aer poate fi reglat cu ajutorul butonului pentru reglarea fluxului de aer



Flux minim de aer



Flux maxim de aer



e-mail: [info@valerii.com](mailto:info@valerii.com)

[www.valerii.com](http://www.valerii.com)

Сервиз: тел. 02/ 942 34 70 (национален)

Централен офис: София 1517  
кв. "Сухата река" бул. "Ботевградско шосе" 44  
тел.: 02/ 942 34 00, факс.: 02/ 945 4634  
GSM 0889/ 444 991

Пловдив, с.Труд 4199  
ул. "Строевско шосе" 3  
тел./факс 032/ 953 666  
GSM 0885/ 808 003

Варна 9000, кв. "Владиславово"  
бул. "Атанас Москов" 13  
тел.: 052/ 504 514  
GSM 0885/ 808 004

София 2227, кв."Божурище"  
бул. "Европа" 180, склад 33  
тел.: 02/ 925 22 37  
GSM 0889/ 334 692



Pentru marirea fluxului de aer, apasati butonul “+” la fluxul de aer – buton de control 8, pentru reducerea fluxului de aer, apasati “-”.

## Setarea temperaturii

- |   |   |
|---|---|
| 0 | Temperatura poate fi reglata numai in etapa de aer cald. Pentru a se mari       |
| 1 | temperatura, apasati butonul “+” la butonul de reglare al temperaturii buton 9, |
| 2 | pentru a se reduce temperatura apasati “-”.                                     |

## Grad de aer rece

- |   |  |
|---|--|
| 0 |  |
| 1 | Fluxul de aer poate fi reglat, temperatura este setata la 50 ° C (nu poate fi reglata) |
| 2 |  |

Gradul de aer rece este potrivit pentru racirea componentelor incalzite sau pentru uscarea vopselelor. Totodata este potrivit pentru racirea instrumentului electric inainte de a fi depozitat sau inainte de a schimba duzele. Atunci cand comutati de la aer cald cu temperatura mai inalta, aceasta va dura cateva secunde, pana cand instrumentul electric se va raci pana la 50°C. In timpul racirii, pe ecran apare temperatura reala de la orificiul de iesire al duzei. Atunci cand se trece de la etapa de aer cald la etapa de aer rece, setarile curente ale fluxului de aer se modifica.

## Intretinere si Curatare

Inainte de a efectua orice actiune asupra masinii, scoateti stecherul din priza.

Pentru o exploatare sigura si efectiva, pastrati intotdeauna dispozitivul si orificiile de ventilare curate

In cazul in care dispozitivul va defecta, in ciuda grijilor producatorului si a testarilor efectuate, reparatia trebuie efectuata de catre persoana calificata.



### Semnificatia cosului de gunoi cu roti, taiat cu un X:

Nu aruncati dispozitivele electrice ca deseuri menajere nesortate, folositi facilitatile pentru colectare separata.

Luati legatura cu serviciul municipal relevant pentru informatie legata de existenta sistemului de colectare separata a deseurilor.

Daca masinile electrice se elimina la depozite sau gropi de gunoi, acest lucru poate provoca scurgerea de substante periculoase in apele subterane, in urma careia acestea pot ajunge in lantul alimentar, rezultat care poate fi foarte daunator pentru sanatatea si viata dvs.



e-mail: [info@valerii.com](mailto:info@valerii.com)

[www.valerii.com](http://www.valerii.com)

Сервиз: тел. 02/ 942 34 70 (национален)

Централен офис: София 1517  
кв. "Сухата река" бул. "Ботевградско шосе" 44  
тел.: 02/ 942 34 00, факс.: 02/ 945 4634  
GSM 0889/ 444 991

Пловдив, с.Труд 4199  
ул. "Строевско шосе" 3  
тел./факс 032/ 953 666  
GSM 0885/ 808 003

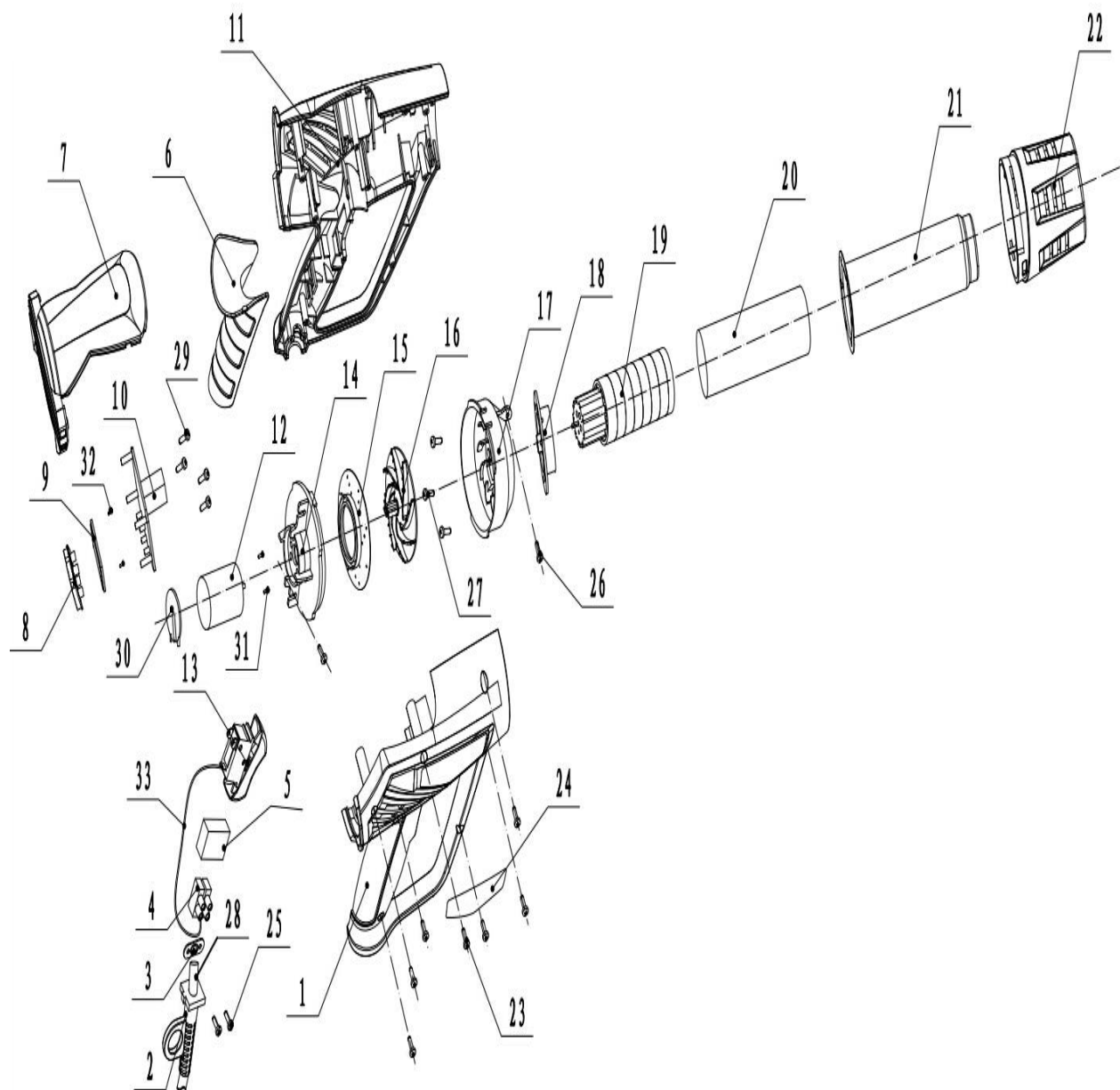
Варна 9000, кв. "Владиславово"  
бул. "Атанас Москов" 13  
тел.: 052/ 504 514  
GSM 0885/ 808 004

София 2227, кв."Божурище"  
бул. "Европа" 180, склад 33  
тел.: 02/ 925 22 37  
GSM 0889/ 334 692

Проверил: Р.Ч./08.2015г



Atunci cand schimbati un dispozitiv vechi cu unul nou, distribuitorul este obligat de catre legislatia in vigoara sa ridice masina veche si sa o elimine fara cost.



e-mail: [info@valerii.com](mailto:info@valerii.com) [www.valerii.com](http://www.valerii.com)  
Сервиз: тел. 02/ 942 34 70 (национален)

Централен офис: София 1517  
кв. "Сухата река" бул. "Ботевградско шосе" 44  
тел.: 02/ 942 34 00, факс.: 02/ 945 4634  
GSM 0889/ 444 991

Пловдив, с.Труд 4199  
ул. "Строевско шосе" 3  
тел./факс 032/ 953 666  
GSM 0885/ 808 003

Варна 9000, кв. "Владиславово"  
бул. "Атанас Москов" 13  
тел.: 052/ 504 514  
GSM 0885/ 808 004

София 2227, кв."Божурице"  
бул. "Европа" 180, склад 33  
тел.: 02/ 925 22 37  
GSM 0889/ 334 692



1	Carcasa A
2	Cablu de alimentare
3	Brida de otel pentru cablu
4	Bloc terminal
5	Condensator
6	Maner de prindere
7	Carcasa spate
8	LCD buton
9	LCD capac
10	Tabel de imprimare
11	Carcasa B
12	Motor
13	Cheie
14	Suport pozitionare motor
15	Capac ventilator
16	Ventilator
17	Capac ventilator
18	Izolator
19	Element de incalzire
20	Foaie de izolare
21	Cilindru
22	Capac cilindru
23	Surub ST3X16
24	Eticheta
25	Surub ST3X14
26	Surub ST3X14
27	Surub M3X10
28	Cablu de alimentare fara impamantare cu doua fire
29	Surub ST3X14
30	Tabel de imprimare
31	Surub M2.5X4
32	Surub M2.5X6
33	Cablu interior



e-mail: [info@valerii.com](mailto:info@valerii.com)

[www.valerii.com](http://www.valerii.com)

Сервиз: тел. 02/ 942 34 70 (национален)

Централен офис: София 1517  
кв. "Сухата река" бул. "Ботевградско шосе" 44  
тел.: 02/ 942 34 00, факс.: 02/ 945 4634  
GSM 0889/ 444 991

Пловдив, с.Труд 4199  
ул. "Строевско шосе" 3  
тел./факс 032/ 953 666  
GSM 0885/ 808 003

Варна 9000, кв. "Владиславово"  
бул. "Атанас Москов" 13  
тел.: 052/ 504 514  
GSM 0885/ 808 004

София 2227, кв."Божурище"  
бул. "Европа" 180, склад 33  
тел.: 02/ 925 22 37  
GSM 0889/ 334 692

Проверил: Р.Ч./08.2015г



## ПРЕВОД НА ОРИГИНАЛНА ИНСТРУКЦИЯ ЗА УПОТРЕБА И БЕЗОПАСНОСТ

### ПИСТОЛЕТ ЗА ГОРЕЩ ВЪЗДУХ PREMIUM

#### Модел:

**0503JS-HG12D 2000W**

Тази инструкция за употреба е издадена от производителя: FRIENDLY WATER LTD.  
NINGBO, Rm1001-1, 10th floor, Yaojiang Xindu, Китай

Вносител за България: „ВАЛЕРИЙ С и М ГРУП“ АД, София, бул. Ботевградско шосе 44  
Тел. :02/ 942 34 00, Факс: +359 2 942 34 40, [www.valerii.com](http://www.valerii.com)

#### ВАЖНИ ИНСТРУКЦИИ ЗА БЕЗОПАСНОСТ

##### ПАЗЕТЕ ТЕЗИ ИНСТРУКЦИИ

- d. Ако захранващият кабел е повреден, той трябва да се подмени от производителя, неговия сервизен техник или сходно квалифицирани лица, за да се избегне опасността.
- e. Може да се появи пожар, ако уредът не се използва внимателно, затова:
  - бъдете внимателни когато използвате уреда на места където има възпламеними материали;
  - не допирайте до едно и също място дълъг период от време;
  - не използвайте в присъствието на експлозивен въздух;
  - внимавайте, топлината може да бъде отведена до възпламеними материали, които не се виждат;
  - след употреба поставете уредът на поставката му и му позволете да се охлади преди да го приберете;
  - не оставайте уреда без надзор, когато е включен.
- f. Уредът не е предназначен за употреба от лица (включително деца) с намалени физически сетивни и умствени възможности, или при липса на опит и познания, освен ако те не са били наблюдавани или инструктирани относно използването на уреда от лице, отговорно за тяхната безопасност.



e-mail: [info@valerii.com](mailto:info@valerii.com)

[www.valerii.com](http://www.valerii.com)

Сервиз: тел. 02/ 942 34 70 (национален)

Централен офис: София 1517  
кв. "Сухата река" бул. "Ботевградско шосе" 44  
тел.: 02/ 942 34 00, факс.: 02/ 945 4634  
GSM 0889/ 444 991

Пловдив, с.Труд 4199  
ул. "Строевско шосе" 3  
тел./факс 032/ 953 666  
GSM 0885/ 808 003

Варна 9000, кв. "Владиславово"  
бул. "Атанас Москов" 13  
тел.: 052/ 504 514  
GSM 0885/ 808 004

София 2227, кв."Божурище"  
бул. "Европа" 180, склад 33  
тел.: 02/ 925 22 37  
GSM 0889/ 334 692

Проверил: Р.Ч./08.2015г



Децата трябва да се надзирават, за да не си играят с уреда.



### Правила за Безопасност

**ПРЕДУПРЕЖДЕНИЕ:** Неспазването на правилата за безопасност докато работите с машината за горещ въздух може да доведе до пожар, експлозия, токов удар или изгаряния. Преди употреба на инструмента, прочетете инструкциите за експлоатация и винаги съблюдавайте правилата за безопасност. Пазете тази инструкция и я давайте на лица, които не са били инструктирани преди да използват уреда.



**ПРЕДУПРЕЖДЕНИЕ:** Повреден корпус или отворен уред може да доведе до опасност от токов удар. Не отваряйте устройството и не работете с повреден уред. Не пробивайте корпуса, например за да прикрепите надпис на компанията. Преди всяка работа върху машината, извадете щепсела от контакта.



**ПРЕДУПРЕЖДЕНИЕ:** Повреден захранващ кабел може да доведе до опасност от токов удар. Периодично проверявайте захранващия кабел. Не работете с уреда, когато захранващия кабел е повреден. Повреденият кабел трябва винаги да се подменя от специалист. Не увивайте кабела около машината и го пазете от масло, топлина и остри ръбове. Не носете уреда за кабела и не го използвайте, за да издърпате щепсела от контакта.



**ПРЕДУПРЕЖДЕНИЕ:** Не работете на дъжд или във влажна или мокра среда. Това може да доведе до опасност от токов удар. Пазете уредът сух. Съхранявайте го на сухо място, когато не се използва. Вземайте в предвид метеорологичните условия. Не работете в мокри санитарни помещения. Избягвайте физически контакт със заземени кабели или повърхности, като тръби, радиатори, кухненски печки и хладилници.



**ПРЕДУПРЕЖДЕНИЕ:** Свържете работните машини, които се използват на открито през остатъчен токов автоматичен прекъсвач (RCCB).



**ПРЕДУПРЕЖДЕНИЕ:** Опасност от избухване! Пистолетът за горещ въздух



e-mail: [info@valerii.com](mailto:info@valerii.com) [www.valerii.com](http://www.valerii.com)  
Сервиз: тел. 02/ 942 34 70 (национален)

Централен офис: София 1517  
кв. "Сухата река" бул. "Ботевградско шосе" 44  
тел.: 02/ 942 34 00, факс.: 02/ 945 4634  
GSM 0889/ 444 991

Пловдив, с.Труд 4199  
ул. "Строевско шосе" 3  
тел./факс 032/ 953 666  
GSM 0885/ 808 003

Варна 9000, кв. "Владиславово"  
бул. "Атанас Москов" 13  
тел.: 052/ 504 514  
GSM 0885/ 808 004

София 2227, кв."Божурище"  
бул. "Европа" 180, склад 33  
тел.: 02/ 925 22 37  
GSM 0889/ 334 692



може експлозивно да запали възпламеними течности и газове. Не работете в потенциално експлозивна среда. Проверете заобикалящата среда, преди да започнете работа. Не продължавайте да работите при горивни или газови контейнери или в близост до тях, дори когато са празни.



**ПРЕДУПРЕЖДЕНИЕ:** Опасност от пожар! Топлината може да достигне възпламеними материали, които са крити зад покритие, на тавана, пода или в кухни и да ги запали. Инспектирайте работната област, преди да започнете работа и в случай на съмнение се въздържайте да използвате машината за горещ въздух. Не насочвайте уреда към едно и също място за продължително време.



**ПРЕДУПРЕЖДЕНИЕ:** Опасност от пожар! Работата с машината за горещ въздух без наблюдение може да доведе до запалване на предмети близо до него. Уредът трябва да се надзирава постоянно по време на работа. Когато оставяте изключеният уред да се охлади, винаги го поставяйте вертикално и неподвижно. Позволете му напълно да се охлади.



**ПРЕДУПРЕЖДЕНИЕ:** Опасност от пожар! Когато работите над пластмаси, лак или подобни материали, отделят се газове, които са лесно възпламеними и могат да доведат до експлозия. Бъдете подготвени да се появят пламъци и винаги имайте под ръка подходящи противопожарни средства.



**ПРЕДУПРЕЖДЕНИЕ:** Опасност от интоксикация! Когато работите над пластмаси, лак или подобни материали, отделят се газове, които могат да бъдат агресивни или токсични. Избягвайте да вдишвате изпаренията, дори когато са безвредни. Винаги осигурявайте добра вентилация на работната област или носете респиратор.



**ПРЕДУПРЕЖДЕНИЕ:** Опасност от нараняване! Струята горещ въздух под налягане може да нарани хора или животни. Докосването на горещата туба на нагряващия елемент или на струйника води до кожни изгаряния. Пазете децата и другите хора настрана от уреда. Не докосвайте тубата на нагряващия елемент или струйника, когато са горещи. **Не използвайте уреда като**



e-mail: [info@valerii.com](mailto:info@valerii.com) [www.valerii.com](http://www.valerii.com)  
Сервиз: тел. 02/ 942 34 70 (национален)

Централен офис: София 1517  
кв. "Сухата река" бул. "Ботевградско шосе" 44  
тел.: 02/ 942 34 00, факс.: 02/ 945 4634  
GSM 0889/ 444 991

Пловдив, с.Труд 4199  
ул. "Строевско шосе" 3  
тел./факс 032/ 953 666  
GSM 0885/ 808 003

Варна 9000, кв. "Владиславово"  
бул. "Атанас Москов" 13  
тел.: 052/ 504 514  
GSM 0885/ 808 004

София 2227, кв."Божурище"  
бул. "Европа" 180, склад 33  
тел.: 02/ 925 22 37  
GSM 0889/ 334 692





**сешоар за коса.** Той отделя много по-голяма топлина от сешоара. Не го използвайте да загревате течности или да сушите предмети или материали, които се разрушават под влиянието на горещ въздух.



**ПРЕДУПРЕЖДЕНИЕ:** Непреднамереното стартиране или неочакваното включване на нагриващия елемент след задействане на температурното реле може да доведе до наранявания. Уверете се, че превключвателя е на позиция **ИЗКЛЮЧЕН**, когато свързвате уреда към източник на напрежение. Изключете машината, когато температурното реле се е задвижило.



**ПРЕДУПРЕЖДЕНИЕ:** Опасност от нараняване! Употребата на отражателен въздушен струйник, който не е подходящ за вашия уред, може да доведе до изгаряния. Използвайте само оригинални аксесоари за вашия модел, които са описани в тази инструкция за употреба.




**ПРЕДУПРЕЖДЕНИЕ:** Опасност от нараняване и пожар! Машината за горещ въздух е опасна за деца. Пазете я на места недостъпни за деца.



**ОПАСНОСТ:** Опасност от принудително прегряване! Неправилната употреба може да доведе до натрупване на топлина това да повреди уреда. Не работете с уреда, когато е поставен хоризонтално надолу или когато сочи надолу. Входния отвор на въздухопровода и струйника не трябва да са покрити. Използвайте само струйници, които са подходящи за вашия уред.

## Технически Данни

Модел		0503JS-HG12D
Напрежение	(V)	220-240
Честота	(Hz)	50/60
Мощност	(W)	2000
Позиция на превключвателя		0- I - II
Клас на защита		II /  double insulated
Температура °C		50-600



e-mail: [info@valerii.com](mailto:info@valerii.com) [www.valerii.com](http://www.valerii.com)

Сервиз: тел. 02/ 942 34 70 (национален)

Централен офис: София 1517  
кв. "Сухата река" бул. "Ботевградско шосе" 44  
тел.: 02/ 942 34 00, факс.: 02/ 945 4634  
GSM 0889/ 444 991

Пловдив, с.Труд 4199  
ул. "Строевско шосе" 3  
тел./факс 032/ 953 666  
GSM 0885/ 808 003

Варна 9000, кв. "Владиславово"  
бул. "Атанас Москов" 13  
тел.: 052/ 504 514  
GSM 0885/ 808 004

София 2227, кв."Божурище"  
бул. "Европа" 180, склад 33  
тел.: 02/ 925 22 37  
GSM 0889/ 334 692



## Предназначение за употреба

Когато се спазват правилата за безопасност и се използват оригинални аксесоари, този пистолет за горещ въздух е предназначен за всички приложения с горещ въздух, които са записани в тази инструкция за работа.

Приложения
Смаляване на стесняваща се тръбна инсталация, споени свързващи части и споени изводи, монтажни и електрически компоненти.
Изкривяване на артикули направени от акрил, PVC и полистирол; тръбни инсталации, пластини и профили, както и влажни дървета.
Спояване на термопластичен полимер, PVC материали за дюшеме и линолеуп, тъкани с PVC покритие, мушамы и фолио.
Спояване на ламарина, специален сребърен припой, SMD елементи, кабелни конзоли и за разхлабване на запоени свързки.
Отстраняване на боя – Отстраняване на стара и дори плътни покрития от маслена боя, лак и синтетична мазилка.
Сушене на цветни разлики при проби, филтри, лепила, конструктивни съединения и форми от гипсова мазилка за външна и вътрешна украса.
Свързване на лепила – Голяма повърхност намазана с контактни лепила, активация на контактни лепила, ускорение процесите на свързване, затваряне на свързващите точки, както и затваряне на свързващите ръбове или облицовка.
Размразяване на заледени стълби и стъпала, ключалки, капаци на вентилационни отвори, врати на коли или водни тръби, както и за размразяване на хладилници и хладилни камери.
Дезинфекция – С горещ въздух от 600°C, може бързо да премахнете бактериите от помещения за животни. Масовото нахлуване на дървесен червей може да се контролира (Внимание: Опасност от пожар! Не нагорещявайте дървената повърхност прекалено много).

## Регулиране на въздушния поток

Въздушният поток може да се регулира с бутона за управление на въздушния поток



Минимален въздушен поток



Максимален въздушен поток



e-mail: [info@valerii.com](mailto:info@valerii.com)

[www.valerii.com](http://www.valerii.com)

Сервиз: тел. 02/ 942 34 70 (национален)

Централен офис: София 1517  
кв. "Сухата река" бул. "Ботевградско шосе" 44  
тел.: 02/ 942 34 00, факс.: 02/ 945 4634  
GSM 0889/ 444 991

Пловдив, с.Труд 4199  
ул. "Строевско шосе" 3  
тел./факс 032/ 953 666  
GSM 0885/ 808 003

Варна 9000, кв. "Владиславово"  
бул. "Атанас Москов" 13  
тел.: 052/ 504 514  
GSM 0885/ 808 004

София 2227, кв."Божурище"  
бул. "Европа" 180, склад 33  
тел.: 02/ 925 22 37  
GSM 0889/ 334 692

Проверил: Р.Ч./08.2015г



За увеличаване на въздушния поток, натиснете върху "+" на въздушния поток контролния бутон 8, за намаляване на потока на въздуха, натиснете върху "-".

## Настройка на температурата

- |   |  |
|---|--|
| 0 | Температурата може да се регулира само в етапа на горещ въздух .За да се |
| 1 | повиши температурата, натиснете върху "+" на бутон за регулиране на      |
| 2 | температурата бутон 9, за да се намали температурата натиснете "-".      |

## Степен на хладен въздух

- |   |   |
|---|---|
| 0 | Въздушният поток може да се регулира, температурата е настроена на 50 ° C (не |
| 1 | може да се регулира)  |
| 2 |   |

Степента за хладен въздух е подходящ за охлаждане на нагорещен детайл или за сушене на боя. Също така е подходящ за охлаждане на електроинструмента преди да го оставите или преди смяна на дюзите. Когато се преминава от етап на горещ въздух с по-високи температури, това ще отнеме няколко секунди, докато електроинструмента се охлади до 50 ° C. По време на охлаждане, дисплеят показва действителната температура на изхода на дюзата. Когато се преминава от етапа на горещ въздух до етапа на хладен-въздух, текущите настройки на въздушния поток се променят.

## Поддръжка и Почистване

Преди всяка работа върху самата машина, извадете захранващия щепсел.

За безопасна и ефективна работа, винаги пазете уреда и вентилационните му отвори чисти.

Ако уредът се повреди, въпреки грижите на производителя и тестването, ремонтът трябва да се извърши от оторизиран сервизен агент за работни машини.

### Значение на зачеркнатата кофа за смет с колела:



Не изхвърляйте електрическите устройства като несортиран общински отпадък, използвайте съоръжение за разделно събиране.

Свържете се с местното правителство за информация относно наличната събирателна система. Ако електрическите устройства се изхвърлят в земни ями или сметища, опасни субстанции могат да изтекат в подпочвени води и да достигнат до хранителната верига, увреждайки вашето здраве и благополучие.

Когато подменят старите устройства с нови, разпространителят е законово задължен да вземе старото ви устройство за изхвърляне без да ви иска такса.



e-mail: [info@valerii.com](mailto:info@valerii.com)

[www.valerii.com](http://www.valerii.com)

Сервиз: тел. 02/ 942 34 70 (национален)

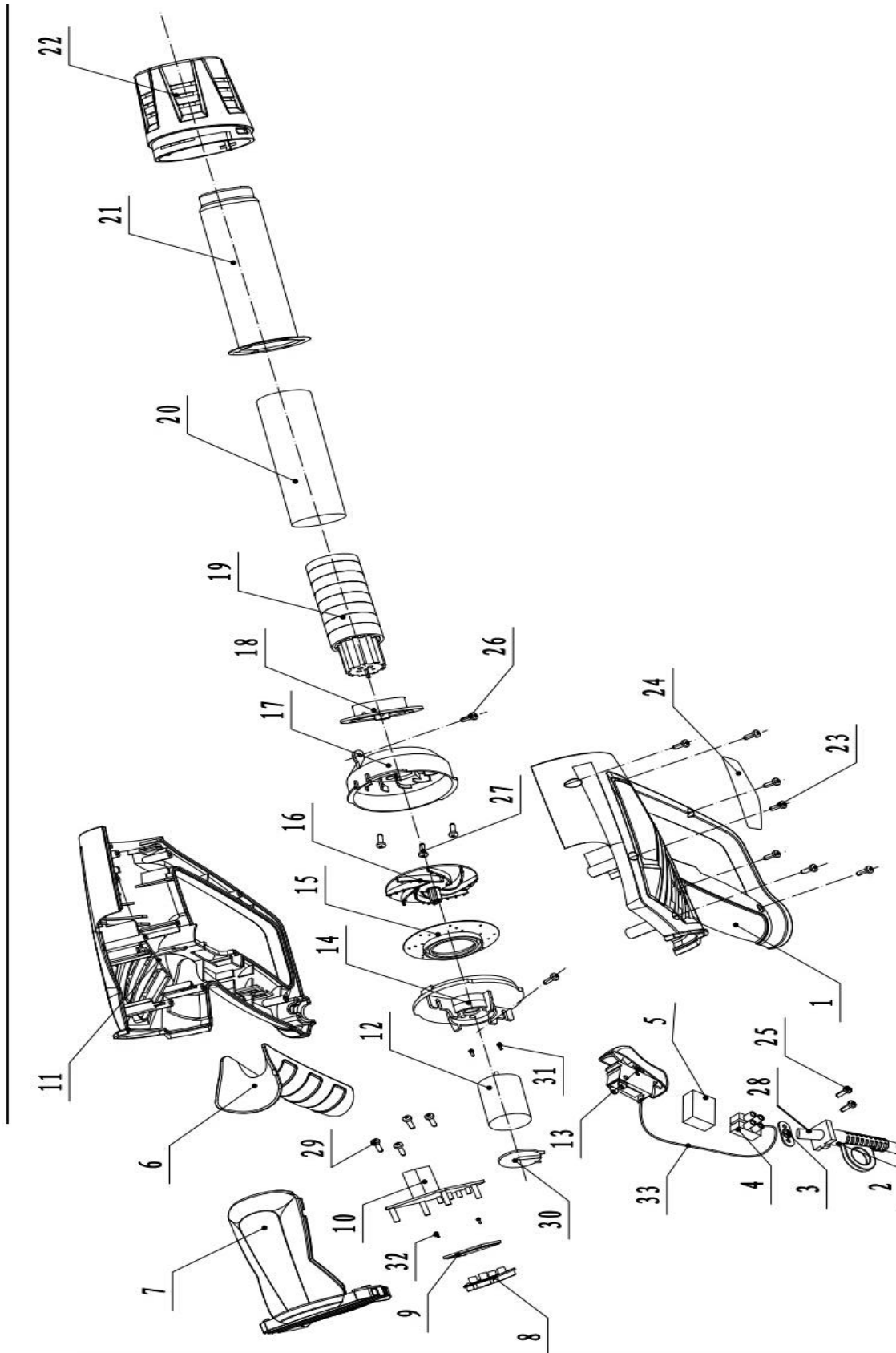
Централен офис: София 1517  
кв. "Сухата река" бул. "Ботевградско шосе" 44  
тел.: 02/ 942 34 00, факс.: 02/ 945 4634  
GSM 0889/ 444 991

Пловдив, с.Труд 4199  
ул. "Строевско шосе" 3  
тел./факс 032/ 953 666  
GSM 0885/ 808 003

Варна 9000, кв. "Владиславово"  
бул. "Атанас Москов" 13  
тел.: 052/ 504 514  
GSM 0885/ 808 004

София 2227, кв."Божурище"  
бул. "Европа" 180, склад 33  
тел.: 02/ 925 22 37  
GSM 0889/ 334 692

Проверил: Р.Ч./08.2015г



e-mail: [info@valerii.com](mailto:info@valerii.com) [www.valerii.com](http://www.valerii.com)

Сервиз: тел. 02/ 942 34 70 (национален)

Централен офис: София 1517  
кв. "Сухата река" бул. "Ботевградско шосе" 44  
тел.: 02/ 942 34 00, факс.: 02/ 945 4634  
GSM 0889/ 444 991

Пловдив, с.Труд 4199  
ул. "Строевско шосе" 3  
тел./факс 032/ 953 666  
GSM 0885/ 808 003

Варна 9000, кв. "Владиславово"  
бул. "Атанас Москов" 13  
тел.: 052/ 504 514  
GSM 0885/ 808 004

София 2227, кв."Божурице"  
бул. "Европа" 180, склад 33  
тел.: 02/ 925 22 37  
GSM 0889/ 334 692



1	Корпус А
2	Кабелен крайник
3	Стоманена връзка на кабела
4	Клемна дъска
5	Кондензатор
6	Захващаща дръжка
7	Заден корпус
8	LCD бутон
9	LCD Капак
10	Печатна плочка
11	Корпус Б
12	Мотор
13	Ключ
14	Плоскост за поставяне на двигателя
15	Капак на вентилатора
16	Вентилатор
17	Капак на вентилатора
18	Изолатор
19	Нагриващ елемент
20	Изолационен лист
21	Цилиндър
22	Капак на цилиндъра



e-mail: [info@valerii.com](mailto:info@valerii.com) [www.valerii.com](http://www.valerii.com)

Сервиз: тел. 02/ 942 34 70 (национален)

Централен офис: София 1517  
кв. "Сухата река" бул. "Ботевградско шосе" 44  
тел.: 02/ 942 34 00, факс.: 02/ 945 4634  
GSM 0889/ 444 991

Пловдив, с.Труд 4199  
ул. "Строевско шосе" 3  
тел./факс 032/ 953 666  
GSM 0885/ 808 003

Варна 9000, кв. "Владиславово"  
бул. "Атанас Москов" 13  
тел.: 052/ 504 514  
GSM 0885/ 808 004

София 2227, кв."Божурице"  
бул. "Европа" 180, склад 33  
тел.: 02/ 925 22 37  
GSM 0889/ 334 692

Проверил: Р.Ч./08.2015г



23	Винт ST3X16
24	Етикет
25	Винт ST3X14
26	Винт ST3X14
27	Винт М3Х10
28	Незаземен захранващ кабел с две жици
29	Винт ST3X14
30	Печатна плочка
31	Винт М2.5Х4
32	Винт М2.5Х6
33	Вътрешен кабел



e-mail: [info@valerii.com](mailto:info@valerii.com)

[www.valerii.com](http://www.valerii.com)

Сервиз: тел. 02/ 942 34 70 (национален)

Централен офис: София 1517  
кв. "Сухата река" бул. "Ботевградско шосе" 44  
тел.: 02/ 942 34 00, факс.: 02/ 945 4634  
GSM 0889/ 444 991

Пловдив, с.Труд 4199  
ул. "Строевско шосе" 3  
тел./факс 032/ 953 666  
GSM 0885/ 808 003

Варна 9000, кв. "Владиславово"  
бул. "Атанас Москов" 13  
тел.: 052/ 504 514  
GSM 0885/ 808 004

София 2227, кв."Божурище"  
бул. "Европа" 180, склад 33  
тел.: 02/ 925 22 37  
GSM 0889/ 334 692

Проверил: Р.Ч./08.2015г