



# BRUSHLESS DRILL

## PREMIUM-HD

### 0503CD103



valerii.com



e-mail: [info@valerii.com](mailto:info@valerii.com) [www.valerii.com](http://www.valerii.com)  
Сервиз: тел. 02/ 942 34 70 (национален)

Централен офис: София 1517  
кв. "Сухата река" бул. "Ботевградско шосе" 44  
тел.: 02/ 942 34 00, факс.: 02/ 945 4634  
GSM 0889/ 444 991

Пловдив, с.Труд 4199  
ул. "Строевско шосе" 3  
тел./факс 032/ 953 666  
GSM 0885/ 808 003

Варна 9000, кв. "Владиславово"  
бул. "Атанас Москов" 13  
тел.: 052/ 504 514  
GSM 0885/ 808 004

София 2227, кв."Божурище"  
бул. "Европа" 180, склад 33  
тел.: 02/ 925 22 37  
GSM 0889/ 334 692

Проверил: Р.Ч./31.10.2016г.



(1)



e-mail: [info@valerii.com](mailto:info@valerii.com) [www.valerii.com](http://www.valerii.com)  
Сервиз: тел. 02/ 942 34 70 (национален)

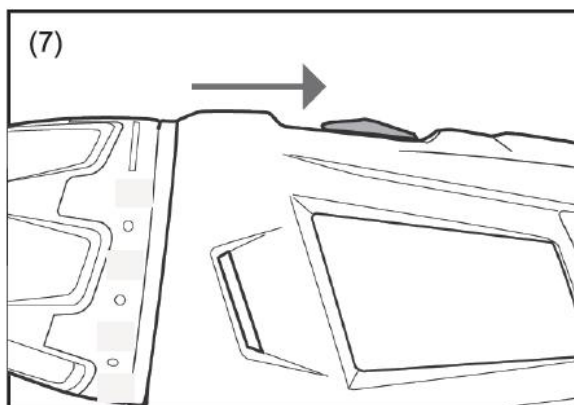
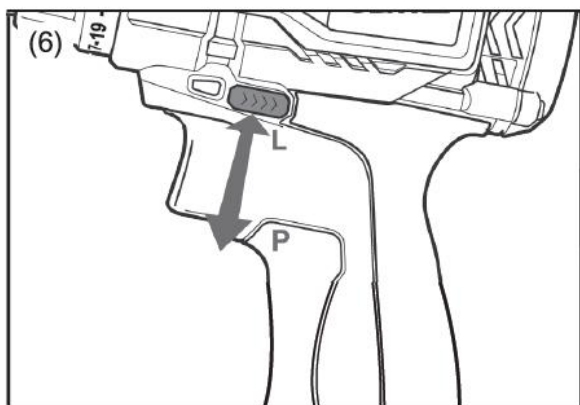
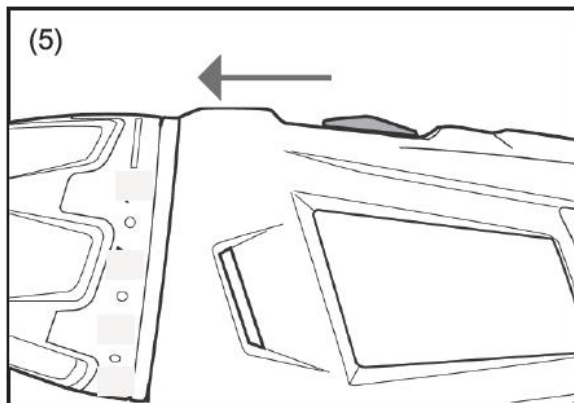
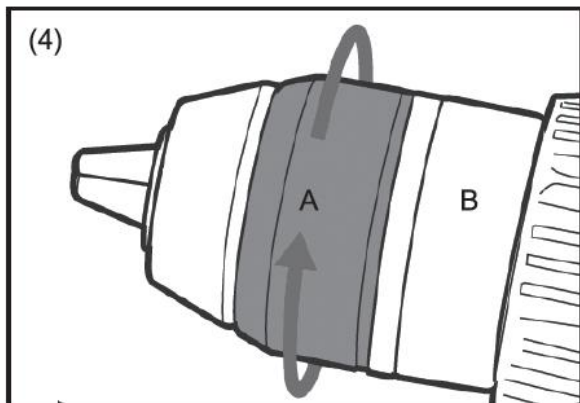
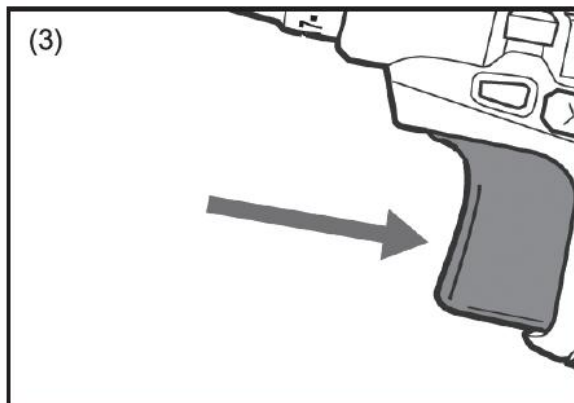
Централен офис: София 1517  
кв. "Сухата река" бул. "Ботевградско шосе" 44  
тел.: 02/ 942 34 00, факс.: 02/ 945 4634  
GSM 0889/ 444 991

Пловдив, с.Труд 4199  
ул. "Строевско шосе" 3  
тел./факс 032/ 953 666  
GSM 0885/ 808 003

Варна 9000, кв. "Владиславово"  
бул. "Атанас Москов" 13  
тел.: 052/ 504 514  
GSM 0885/ 808 004

София 2227, кв."Божурище"  
бул. "Европа" 180, склад 33  
тел.: 02/ 925 22 37  
GSM 0889/ 334 692

Проверил: Р.Ч./31.10.2016г.



e-mail: [info@valerii.com](mailto:info@valerii.com) [www.valerii.com](http://www.valerii.com)  
 Сервиз: тел. 02/ 942 34 70 (национален)

Централен офис: София 1517  
 кв. "Сухата река" бул. "Ботевградско шосе" 44  
 тел.: 02/ 942 34 00, факс.: 02/ 945 4634  
 GSM 0889/ 444 991

Пловдив, с.Труд 4199  
 ул. "Строевско шосе" 3  
 тел./факс 032/ 953 666  
 GSM 0885/ 808 003

Варна 9000, кв. "Владиславово"  
 бул. "Атанас Москов" 13  
 тел.: 052/ 504 514  
 GSM 0885/ 808 004

София 2227, кв."Божурище"  
 бул. "Европа" 180, склад 33  
 тел.: 02/ 925 22 37  
 GSM 0889/ 334 692

Проверил: Р.Ч./31.10.2016г.



## GENERAL SAFETY RULES

**Warning!** Read all instructions. Failure to follow all instructions listed below may result in electric shock, fire and/or serious injury. The term "power tool" in all of the warnings listed below refers to your mains operated (corded) power tool or battery operated (cordless) power tool.

## SAVE THESE INSTRUCTIONS

### 1) WORK AREA

- a) Keep work area clean and well lit. Cluttered and dark areas invite accidents.
- b) Do not operate power tools in explosive atmospheres, such as in the presence of flammable liquids, gases or dust. Power tools create sparks which may ignite the dust or fumes.
- c) Keep children and bystanders away while operating a power tool. Distractions can cause you to lose control.

### 2) ELECTRICAL SAFETY

- a) Power tool plugs must match the outlet. Never modify the plug in any way. Do not use any adapter plugs with earthed (grounded) power tools. Unmodified plugs and matching outlets will reduce risk of electric shock.
- b) Avoid body contact with earthed or grounded surfaces such as pipes, radiators, ranges and refrigerators. There is an increased risk of electric shock if your body is earthed or grounded.
- c) Do not expose power tools to rain or wet conditions. Water entering a power tool will increase the risk of electric shock.
- d) Do not abuse the cord. Never use the cord for carrying, pulling or unplugging the power tool. Keep cord away from heat, oil, sharp edges or moving parts. Damaged or entangled cords increase the risk of electric shock.
- e) When operating a power tool outdoors, use an extension cord suitable for outdoor use. Use of a cord suitable for outdoor use reduces the risk of electric shock.

### 3) PERSONAL SAFETY

- a) Stay alert, watch what you are doing and use common sense when operating a power tool. Do not use a power tool while you are tired or under the influence of drugs, alcohol or

medication.

A moment of inattention while operating power tools may result in serious personal injury.

- b) Use safety equipment. Always wear eye protection. Safety equipment such as dust mask, non-skid safety shoes, hard hat, or hearing protection used for appropriate conditions will reduce personal injuries.
- c) Avoid accidental starting. Ensure the switch is in the off position before plugging in. Carrying power tools with your finger on the switch or plugging in power tools that have the switch on invites accidents.
- d) Remove any adjusting key or wrench before turning the power tool on. A wrench or a key left attached to a rotating part of the power tool may result in personal injury.
- e) Do not overreach. Keep proper footing and balance at all times. This enables better control of the power tool in unexpected situations.
- f) Dress properly. Do not wear loose clothing or jewellery. Keep your hair, clothing and gloves away from moving parts. Loose clothes, jewellery or long hair can be caught in moving parts.
- g) If devices are provided for the connection of dust extraction and collection facilities, ensure these are connected and properly used. Use of these devices can reduce dust related hazards.

### 4) POWER TOOL USE AND CARE

- a) Do not force the power tool. Use the correct power tool for your application. The correct power tool will do the job better and safer at the rate for which it was designed.
- b) Do not use the power tool if the switch does not turn it on and off. Any power tool that cannot be controlled with the switch is dangerous and must be repaired.
- c) Disconnect the plug from the power source before making any adjustments, changing accessories, or storing power tools. Such preventive safety measures reduce the risk of starting the power tool accidentally.



e-mail: [info@valerii.com](mailto:info@valerii.com) [www.valerii.com](http://www.valerii.com)  
Сервиз: тел. 02/ 942 34 70 (национален)

Централен офис: София 1517

кв. "Сухата река" бул. "Ботевградско шосе" 44

тел.: 02/ 942 34 00, факс.: 02/ 945 4634

GSM 0889/ 444 991

Пловдив, с.Труд 4199

ул. "Строевско шосе" 3

тел./факс 032/ 953 666

GSM 0885/ 808 003

Варна 9000, кв. "Владиславово"

бул. "Атанас Москов" 13

тел.: 052/ 504 514

GSM 0885/ 808 004

София 2227, кв."Божурище"

бул. "Европа" 180, склад 33

тел.: 02/ 925 22 37

GSM 0889/ 334 692

Проверил: Р.Ч./31.10.2016г.



- d) Store idle power tools out of the reach of children and do not allow persons unfamiliar with the power tool or these instructions to operate the power tool. Power tools are dangerous in the hands of untrained users.
- e) Maintain power tools. Check for misalignment or binding of moving parts, breakage of parts and any other condition that may affect the power tools operation. If damaged, have the power tool repaired before use. Many accidents are caused by poorly maintained power tools.
- f) Keep cutting tools sharp and clean. Properly maintained cutting tools with sharp cutting edges are less likely to bind and are easier to control.
- g) Use the power tool, accessories and tool bits etc., in accordance with these instructions and in the manner intended for the particular type of power tool, taking into account the working conditions and the work to be performed. Use of the power tool for operations different from intended could result in a hazardous situation.

## 5) SERVICE

- a) Have your power tool serviced by a qualified repair person using only identical replacement parts. This will ensure that the safety of the power tool is maintained.

### SPECIFIC SAFETY INSTRUCTIONS

Be aware of the high torque reaction when drilling especially when drilling masonry.

DO NOT try to change any of the selector switches while the motor is running. Doing so could damage the machine.

DO NOT attempt to modify the machine or its accessories in any way. DO NOT force the machine, let the machine do the work. This will reduce the wear on the machine and cutter and increase its efficiency and operating life.

Do not use this product with any attachment designed for mixing mortar, concrete, or plaster. Or for any other type of mixing operation.

### ADDITIONAL SAFETY RULES FOR DRILLS

If possible, always use clamps or a vice to hold your work.

Always switch off before you put the drill down.

When using the drill, use safety equipment including safety glasses or shield, ear defenders,

and protective clothing including safety gloves. Wear a dust mask if the drilling operation creates dust.

### ADDITIONAL SAFETY RULES CHARGERS

1. Before using the charger, read all the instructions and cautionary markings on the charger and battery pack as well as the instructions on using the battery pack.
2. Only charge your batteries indoors as the charger is designed for indoor use only.
3. **DANGER!** If the battery pack is cracked or damaged in any other way, do not insert it in the charger. There is a danger of electric shock or electrocution.
4. **WARNING!** Do not allow any liquid to come into contact with the charger. There is a danger of electric shock.
5. The charger and battery packs supplied with it are specifically designed to work together. Do not attempt to charge the battery pack with any other charger than the one supplied.
6. Do not pull on the power cord to disconnect it from the mains supply socket.
7. Do not use the charger if it has been subjected to a heavy knock, dropped or otherwise damaged in any way. Take the charger to an authorised service centre for a check or repair.
8. Do not disassemble the charger. Take it to an authorised service centre when service or repair is required. Incorrect re-assembly may result in the risk of fire, electric shock or electrocution.
9. To reduce the risk of an electric shock, unplug the charger from the power supply before attempting to clean it. Removing the battery alone does not reduce the risk.

### ADDITIONAL SAFETY RULES FOR THE BATTERY PACK

1. The battery pack for this tool has been shipped in a low charge condition. You should charge the battery pack fully before use.
2. Do not incinerate the battery pack even if it is seriously damaged or can no longer hold a charge. The battery pack can explode in a fire.



e-mail: [info@valerii.com](mailto:info@valerii.com) [www.valerii.com](http://www.valerii.com)  
Сервиз: тел. 02/ 942 34 70 (национален)

Централен офис: София 1517

кв. "Сухата река" бул. "Ботевградско шосе" 44

тел.: 02/ 942 34 00, факс.: 02/ 945 4634

GSM 0889/ 444 991

Пловдив, с.Труд 4199

ул. "Строевско шосе" 3

тел./факс 032/ 953 666

GSM 0885/ 808 003

Варна 9000, кв. "Владиславово"

бул. "Атанас Москов" 13

тел.: 052/ 504 514

GSM 0885/ 808 004

София 2227, кв."Божурище"

бул. "Европа" 180, склад 33

тел.: 02/ 925 22 37

GSM 0889/ 334 692

Проверил: Р.Ч./31.10.2016г.



3. A small leakage of liquid from the battery pack may occur under extreme usage or temperature conditions. This does not necessarily indicate a failure of the battery pack. However, if the outer seal is broken and this leakage comes into contact with your skin wash the affected area quickly with soap and water. If the leakage gets in your eyes flush your eyes with clean water for a minimum of 10 minutes and seek immediate medical attention.

Inform the medical staff that the liquid is a 25-35% solution of potassium hydroxide.

4. Never attempt to open the battery pack for any reason. If the plastic housing of the battery pack breaks open or cracks, immediately discontinue its use and do not recharge it.

5. Do not store or carry a spare battery pack in a pocket or toolbox or any other place where it may come into contact with metal objects. The battery pack may be short-circuited causing damage to the battery pack, burns or a fire.

### BATTERY CHARGING INFORMATION

Charging rates for NiCad and/or Li-Ion NiCad and/or Li-Ion battery charging rates are determined by the time taken to fully charge the battery and are determined by the charge current. The three most commonly used charging rates are typically:

Fast charge.

Slow charge.

Trickle charge.

### FAST CHARGE BATTERIES

The charging rates for fast charge batteries can vary between 30 minutes and 90 minutes. The charging rate for the battery supplied with a cordless power tool is stated in the product manual.

### SLOW CHARGE BATTERY

The charging rates for slow charge batteries are between 3 hours and 5 hours..

### TRICKLE CHARGE BATTERIES

The charging rates for trickle charge batteries are between 7 hours and 9 hours.

### IMPORTANT!

### NICAD AND/OR LI-ION BATTERY CHARGING INFORMATION.

### ALWAYS FULLY DISCHARGE A NiCad and/or Li-Ion BATTERY BEFORE CHARGING AND

**NEVER EXCEED THE CHARGING RATE TIME, EXCEPT WHEN "CONDITIONING" A NEW BATTERY.**

### CHARGING PROCEDURE

When charging a new NiCad and/or Li-Ion battery it should be fully discharged followed by a full charge for the charging rate for the battery as stated in the product manual plus 30 minutes. This should then be followed by a full discharge and a further full charge for the charging rate for the battery as stated in the product manual plus 30 minutes. This procedure will condition the battery and equalise the cell voltages. Following this procedure will ensure the optimum operation of the battery.

When repeatedly using the charger to charge a number of batteries always allow the charger to cool down before charging another battery. It is recommended that the cooling down period is not less than 30 to 45 minutes.

When charging a battery that has been discharged during heavy use allow the battery to cool down before charging. It is recommended that the cooling down period is not less than 30 to 45 minutes.

### NICAD AND/OR LI-ION CHARGING & CHARGERS

NiCad and/or Li-Ion batteries need to be recharged with a reasonable amount of care, largely because they can be damaged by overcharging.

Overcharging can result in the battery temperature and internal pressure to rise rapidly. This can cause the cells to distort and lose electrolyte, and in extreme cases where the internal pressure is extremely high they can even explode.

This situation can also arise when an overcharged battery is fitted to the product and is being used. In order to avoid this extreme situation it is of vital importance that NiCad and/or Li-Ion batteries are fully discharged before charging and that the charge time is not exceeded except when "Conditioning" a new battery. Repeated charging of partially discharged batteries could cause failure of one or more of the cells.



e-mail: [info@valerii.com](mailto:info@valerii.com) [www.valerii.com](http://www.valerii.com)  
Сервиз: тел. 02/ 942 34 70 (национален)

Централен офис: София 1517

кв. "Сухата река" бул. "Ботевградско шосе" 44

тел.: 02/ 942 34 00, факс.: 02/ 945 4634

GSM 0889/ 444 991

Пловдив, с.Труд 4199

ул. "Строевско шосе" 3

тел./факс 032/ 953 666

GSM 0885/ 808 003

Варна 9000, кв. "Владиславово"

бул. "Атанас Москов" 13

тел.: 052/ 504 514

GSM 0885/ 808 004

София 2227, кв."Божурище"

бул. "Европа" 180, склад 33

тел.: 02/ 925 22 37

GSM 0889/ 334 692



## SELF DISCHARGE

A lithium battery can self discharge and lose its stored charge. Typically it can lose approximately 5% of its charge in the first month after fully charging (when stored at room temperature), and then loses it by a further 3% per month. When stored at higher temperatures the self discharge rate will be accelerated.

## BATTERY CHARGING INDOORS

This charger is designed to be used indoors. We do not recommend that it is used inside your home. Ideally batteries should be charged on a bench in a workshop, garage or shed. If the charging operation is to be carried out in your home the area must be well ventilated and the charger must be placed on a non combustible surface ensuring that the ventilation slots are not blocked. Never exceed the charging time except when "Conditioning" a new battery, as this could damage the battery and charger.

## BATTERY DISPOSAL

When the battery fails to charge or maintain its charge, its usable life is exhausted. To preserve natural resources, please recycle or dispose of the battery pack properly. This battery pack contains nickel-cadmium cells. Before disposal ensure that the battery pack is fully discharged by operating your cordless product then remove the battery pack from the drill housing and cover the battery pack connections with heavy duty tape, to prevent short circuit and energy discharge which could result in a fire. Do not attempt to open or remove any of the components.

Consult your local waste authority for information regarding available recycling and / or disposal options.

## SPECIFIC SAFETY INSTRUCTIONS

### RE-CHARGEABLE BATTERIES.

Batteries may leak or explode if not charged or handled correctly. Always observe the following precautions when handling batteries. Ensure that the machine is switched off before removing or fitting batteries.

Do not use this battery with any other product.

Do not attempt to fit the battery the wrong way round.

Do not short out, or attempt to dismantle the battery.

Do not expose the battery to flames or excessive

heat.

Do not immerse in or expose the battery to water.

Do not store or transport the battery with loose metal objects such as drill and driver bits.

Batteries are prone to leakage when discharged. To avoid damage to the product, remove or re-charge the battery when no charge remains. Store the battery in a cool place when not in use.

After prolonged use the battery may become hot. Before removing the battery, switch the machine off and allow the battery to cool down. Do not use the battery if you notice any discoloration or distortion of the battery casing.

## CHARGING THE BATTERY (PIC.2)

**Do not use other battery chargers. The supplied battery charger is designed for the Lithium-Ion battery in your machine.**

**Note:** The battery is supplied partially charged. To ensure full capacity of the battery, completely charge the battery with the battery charger before using your power tool for the first time.

The Lithium-Ion battery can be charged at any time without reducing its service life. Interrupting the charging procedure does not damage the battery.

When the battery charge indicator shows a green light the battery should be charged.

The charging procedure begins as soon as the mains plug of the battery charger is plugged into a socket outlet and the charge connector is plugged into the socket on the side of the battery (Pic.2).

The battery charge indicator on the plug shows the charging process. During the process the indicator shows a red light. When the battery charge indicator shows a green light, the battery is fully charged.

During the procedure, the handle of the tool warms up. This is normal.

The drill requires between 3-5 hours to fully charge.

Disconnect the battery charger from the mains supply when not in use.

**Note:** The power tool cannot be used during the charge procedure.



e-mail: [info@valerii.com](mailto:info@valerii.com) [www.valerii.com](http://www.valerii.com)  
Сервиз: тел. 02/ 942 34 70 (национален)

Централен офис: София 1517

кв. "Сухата река" бул. "Ботевградско шосе" 44

тел.: 02/ 942 34 00, факс.: 02/ 945 4634

GSM 0889/ 444 991

Пловдив, с.Труд 4199

ул. "Строевско шосе" 3

тел./факс 032/ 953 666

GSM 0885/ 808 003

Варна 9000, кв. "Владиславово"

бул. "Атанас Москов" 13

тел.: 052/ 504 514

GSM 0885/ 808 004

София 2227, кв."Божурище"

бул. "Европа" 180, склад 33

тел.: 02/ 925 22 37

GSM 0889/ 334 692

Проверил: Р.Ч./31.10.2016г.



## COMPONENTS AND CONTROLS (PIC. 1)

1	Li-ion Battery	7	Charger
2	Battery release catch	8	Forward/reverse switch
3	On/Off trigger switch	9	Hand grip
4	Torque adjuster		
5	Keyless Chuck		
6	2 speed gearbox		

### VARIABLE SPEED CONTROL (PIC. 3)

Simply apply light pressure to the trigger to start the drill on a slow speed. Increasing the pressure will allow a variable speed increase. Always remove the battery before carrying out any adjustments or maintenance.

### KEYLESS CHUCK OPERATION

The keyless chuck fitted to this drill/driver allows for the easy installation and removal of bits and drills (Pic. 4).

The chuck has two rotating grips (A and B). Select the drill/driver bit required and insert it into the chuck jaws, turn grip A in a clockwise direction until jaws grip the drill/driver bit. With your free hand hold grip B firmly and rotate grip A in a clockwise direction until it tightens onto the drill/driver bit. Do not use unnecessary force to tighten.


Re-fit the battery, your drill/driver is now ready for use.

### TORQUE ADJUSTMENTS

This feature allows setting of the torque or tightening power of your drill/driver and depending on the application, various levels of driving power are required. When driving larger screw diameters a higher torque power is required to drive the screw until it's properly seated.

When the selected torque is reached the chuck will stop rotating (Pic. 5).

NOTE - Always start on the lowest setting.

The symbol  gives the highest torque setting and is used when drilling and for driving larger screws.

### FORWARD & REVERSE SWITCH (PIC. 6)

This feature is selected via a slide switch located above the trigger. To select direction of the drill rotation simply push the button fully in on the left side for reverse rotation. To change to forward rotation, push the button fully in on the right side

of the handle.

### 2 SPEED GEARBOX (PIC. 7)

This drill comes with a 2 speed gearbox to give high and low speed ranges. To change between the two speed ranges slide the selector switch, located on top of the drill.

### WARNING!

The machine is designed as a drill and driver. Do not attach any other accessories other than those recommended.

**NOTE** - As a safety precaution from accidental engagement while being carried pushing the forward/reverse button into the middle or neutral position will render the drill inoperative.

### HINTS FOR SCREW DRIVING

- 1) Use candle or bees wax on the screw threads to speed application.
- 2) Whenever possible drill small diameter pilot holes for faster screwing, eliminating the possibility of splitting the wood.



e-mail: [info@valerii.com](mailto:info@valerii.com) [www.valerii.com](http://www.valerii.com)  
Сервиз: тел. 02/ 942 34 70 (национален)

Централен офис: София 1517

кв. "Сухата река" бул. "Ботевградско шосе" 44

тел.: 02/ 942 34 00, факс.: 02/ 945 4634

GSM 0889/ 444 991

Пловдив, с.Труд 4199

ул. "Строевско шосе" 3

тел./факс 032/ 953 666

GSM 0885/ 808 003

Варна 9000, кв. "Владиславово"

бул. "Атанас Москов" 13

тел.: 052/ 504 514

GSM 0885/ 808 004

София 2227, кв."Божурище"

бул. "Европа" 180, склад 33

тел.: 02/ 925 22 37

GSM 0889/ 334 692

Проверил: Р.Ч./31.10.2016г.





## TECHNICAL SPECIFICATION

Voltage	18V DC
No load speed	0-400 min <sup>-1</sup> 0-1500 min <sup>-1</sup>
Torque settings	Automatic adjustment
Maximum torque	50Nm
Keyless chuck size	13mm
Charger input voltage	230V~50Hz
Charger output voltage	20V DC 2000mA
Charge time	1 Hours

### SYMBOLS

The rating plate on your tool may show symbols. These represent important information about the product or instructions on its use.



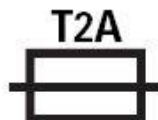
Wear hearing protection.  
Wear eye protection.  
Wear respiratory protection.



Contains Lithium Ion



Conforms to relevant safety standards.



Thermal link with operating temperature



Double insulated for additional protection.



This product is suitable for indoor use



Read the instruction manual.



Waste electrical products should not be disposed of with household waste. Please recycle where facilities exist. Check with your Local Authority or retailer for recycling advice.



Product conforms to RoHs requirements



General warning



e-mail: [info@valerii.com](mailto:info@valerii.com) [www.valerii.com](http://www.valerii.com)  
Сервиз: тел. 02/ 942 34 70 (национален)

Централен офис: София 1517  
кв. "Сухата река" бул. "Ботевградско шосе" 44  
тел.: 02/ 942 34 00, факс.: 02/ 945 4634  
GSM 0889/ 444 991

Пловдив, с.Труд 4199  
ул. "Строевско шосе" 3  
тел./факс 032/ 953 666  
GSM 0885/ 808 003

Варна 9000, кв. "Владиславово"  
бул. "Атанас Москов" 13  
тел.: 052/ 504 514  
GSM 0885/ 808 004

София 2227, кв."Божурище"  
бул. "Европа" 180, склад 33  
тел.: 02/ 925 22 37  
GSM 0889/ 334 692

Проверил: Р.Ч./31.10.2016г.



## ENVIRONMENTAL PROTECTION

Information for (private householders) for the environmentally responsible disposal of Waste Electrical and Electronic Equipment (WEEE)



This symbol on products and or accompanying documents indicates that used and end of life electrical and electronic equipment should not be disposed of in household waste. For the proper disposal, treatment, recovery and recycling, please take these products to designated collection points, where they will be accepted on a free of charge basis. Alternatively, in some countries you may be able to return your products to your retailer upon the purchase of an equivalent new product. Disposing of this product correctly will help to save valuable resources and prevent any potential adverse effects on human health and the environment which could otherwise arise from inappropriate waste disposal and handling. Please contact your local authority for further details of your nearest designated collection point. Penalties may be applicable for incorrect disposal of this waste in accordance with national legislation.

## FOR BUSINESS USERS IN THE EUROPEAN UNION.

If you wish to discard electrical and electronic equipment, please contact your dealer or supplier for further information.

## Information on Disposal in other Countries outside the European Union.

This Symbol is only valid in the European Union.

If you wish to dispose of this product, please contact your local authorities or dealer and ask for the correct method of disposal.



e-mail: [info@valerii.com](mailto:info@valerii.com) [www.valerii.com](http://www.valerii.com)  
Сервиз: тел. 02/ 942 34 70 (национален)

Централен офис: София 1517

кв. "Сухата река" бул. "Ботевградско шосе" 44

тел.: 02/ 942 34 00, факс.: 02/ 945 4634

GSM 0889/ 444 991

Пловдив, с.Труд 4199

ул. "Строевско шосе" 3

тел./факс 032/ 953 666

GSM 0885/ 808 003

Варна 9000, кв. "Владиславово"

бул. "Атанас Москов" 13

тел.: 052/ 504 514

GSM 0885/ 808 004

София 2227, кв."Божурище"

бул. "Европа" 180, склад 33

тел.: 02/ 925 22 37

GSM 0889/ 334 692



**ВАЛЕРИЙ C&M ГРУПАД**

ИНСТРУМЕНТИТЕ В БЪЛГАРИЯ

# MAȘINA DE GĂURIT FĂRĂ PERII PREMIUM-HD 0503CD103



## INTRODUCERE

Vă mulțumim pentru achiziționarea acestui produs care a trecut procesul nostru extins de asigurare a calității. Am făcut toate eforturile pentru a asigura faptul că acesta va ajunge la dvs. în stare perfectă.



e-mail: [info@valerii.com](mailto:info@valerii.com) [www.valerii.com](http://www.valerii.com)  
Сервиз: тел. 02/ 942 34 70 (национален)

Централен офис: София 1517

кв. "Сухата река" бул. "Ботевградско шосе" 44

тел.: 02/ 942 34 00, факс.: 02/ 945 4634

GSM 0889/ 444 991

Пловдив, с.Труд 4199

ул. "Строевско шосе" 3

тел./факс 032/ 953 666

GSM 0885/ 808 003

Варна 9000, кв. "Владиславово"

бул. "Атанас Москов" 13

тел.: 052/ 504 514

GSM 0885/ 808 004

София 2227, кв."Божурище"

бул. "Европа" 180, склад 33

тел.: 02/ 925 22 37

GSM 0889/ 334 692

Проверил: Р.Ч./31.10.2016г.



## SIGURANȚĂ ÎNAINTE DE TOATE

Înainte de a încerca să lucrați cu aceasta scula electrică, trebuie luate toate măsurile de precauție de bază pentru a reduce riscul de incendiu, electrocutare și rănire. Este important să citiți manualul de instrucțiuni pentru a afla modul de aplicare, limitările și pericolele potențiale asociate cu această sculă electrică.

## CERTIFICAT DE GARANȚIE

Acest produs are o perioadă de garanție de 3 ani, care produce efecte de la data achiziției și este aplicabilă numai cumpărătorului inițial. Această garanție se aplică numai la defecte datorate materialelor defecte și defectelor de fabricație care devin vizibile numai în perioada de garanție și nu include consumabile. Fabricantul va repara sau înlocui produsul la propria sa discreție, sub rezerva următoarelor. Acest produs este utilizat în conformitate cu instrucțiunile specificate în manualul pentru produs și nu a făcut obiectul unor abuzuri, violenței sau utilizat în mod abuziv. Produsul nu trebuie să fie demontat sau modificat în orice mod sau nu a fost deservit de către o persoană neautorizată sau utilizat în scopul închirierii. Daunele de transport nu sunt excluse din această garanție pentru astfel de daune este responsabilă compania de transport. Reclamații efectuate în cadrul acestei garanții trebuie să fie adresate, cât mai curând posibil, direct distribuitorului în perioada de garanție. În circumstanțe excepționale, produsul poate fi returnat producătorului. În aceste cazuri, utilizatorul trebuie să returneze produsul pe propria sa cheltuială, asigurând produsul să fie ambalat corespunzător pentru a preveni deteriorarea în timpul transportului și trebuie să fie însoțit de o scurtă descriere a prejudiciului și o copie a chitanței sau o altă dovadă de cumpărare. Producătorul nu este răspunzător pentru nici o pierdere sau daune speciale, tipice, directe, indirecte, accidentale sau pe cale de consecință în baza acestei garanții.

www.valerii.com  
toate drepturile pe care consumatoru

## DREPTURI ÎN TEMEIUL LEGII

Această garanție nu este un act adițional și nu aduce atingere oricăror drepturi în temeiul legii.

## ELIMINAREA PRODUSULUI

**Atunci când acest produs ajunge la sfârșitul duratei sale de viață sau se elimină din orice alt motiv, el nu trebuie aruncat împreună cu deșeurile menajere. Pentru a conserva resursele naturale și pentru a minimiza impactul asupra mediului, vă rugăm, eliminați acest produs într-un mod ecologic, protejând natura. Acesta trebuie să fie transportat la centrul local de reciclare sau la altă facilități de eliminare.**

**Dacă aveți dubii, consultați autorităților locale privind deșeurile pentru informații cu privire la posibile opțiuni de reciclare și/sau eliminare.**



e-mail: [info@valerii.com](mailto:info@valerii.com) [www.valerii.com](http://www.valerii.com)  
Сервиз: тел. 02/ 942 34 70 (национален)

Централен офис: София 1517

кв. "Сухата река" бул. "Ботевградско шосе" 44

тел.: 02/ 942 34 00, факс.: 02/ 945 4634

GSM 0889/ 444 991

Пловдив, с.Труд 4199

ул. "Строевско шосе" 3

тел./факс 032/ 953 666

GSM 0885/ 808 003

Варна 9000, кв. "Владиславово"

бул. "Атанас Москов" 13

тел.: 052/ 504 514

GSM 0885/ 808 004

София 2227, кв."Божурище"

бул. "Европа" 180, склад 33

тел.: 02/ 925 22 37

GSM 0889/ 334 692

Проверил: Р.Ч./31.10.2016г.



e-mail: [info@valerii.com](mailto:info@valerii.com) [www.valerii.com](http://www.valerii.com)  
 Сервиз: тел. 02/ 942 34 70 (национален)

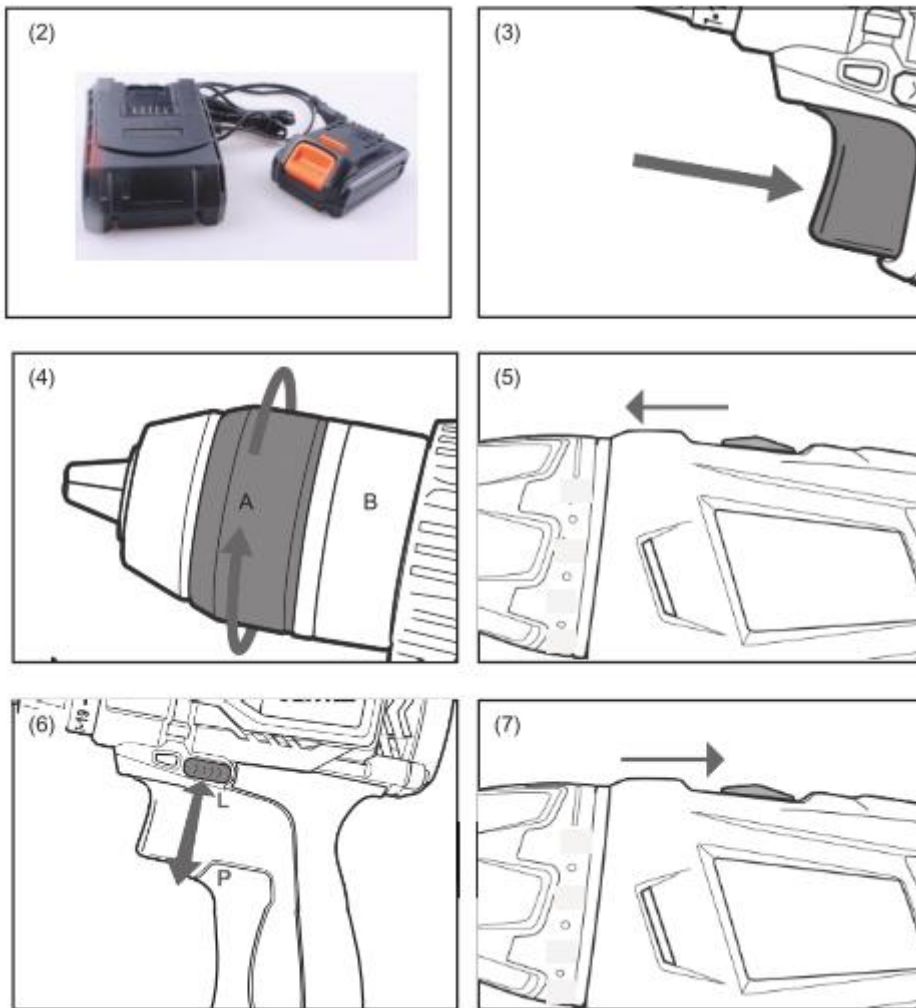
Централен офис: София 1517  
 кв. "Сухата река" бул. "Ботевградско шосе" 44  
 тел.: 02/ 942 34 00, факс.: 02/ 945 4634  
 GSM 0889/ 444 991

Пловдив, с.Труд 4199  
 ул. "Строевско шосе" 3  
 тел./факс 032/ 953 666  
 GSM 0885/ 808 003

Варна 9000, кв. "Владиславово"  
 бул. "Атанас Москов" 13  
 тел.: 052/ 504 514  
 GSM 0885/ 808 004

София 2227, кв."Божурище"  
 бул. "Европа" 180, склад 33  
 тел.: 02/ 925 22 37  
 GSM 0889/ 334 692

Проверил: Р.Ч./31.10.2016г.



## REGULI DE SIGURANȚĂ GENERALE

### Atenție!

Citiți toate instrucțiunile. Nerespectarea instrucțiunilor enumerate mai jos poate duce la electrocutare, incendii și/sau răni grave. Termenul "scula electrică" în toate avertizările enumerate mai jos, înseamnă toate sculele dvs. electrice încărcate de la rețea electrică (cablu) sau scule electrice alimentate cu baterie (fără fir).

## PĂSTRAȚI ACESTE INSTRUCȚIUNI

### 1) ZONA DE LUCRU

- a) Păstrați zona de lucru curată și bine luminată. Zonele dezordonate și întunecate sunt o condiție prealabilă

pentru incidente.

- b) Nu utilizați sculele electrice în atmosfere explozive ca prezența lichidelor inflamabile, gazelor și prafului. sculele electrice pot crea scânteii care pot aprinde praful sau vaporii.
- c) Țineți departe copiii și persoanele din jur în timpul utilizării aparatului. Neatenția poate duce la pierderea controlului.

### 2) SIGURANȚA ELECTRICĂ

- a) Ștecherile sculelor electrice trebuie să se potrivească cu priza. Niciodată și în nici un fel nu modificați ștecherul. Nu folosiți ștechere cu adaptoare pentru scule electrice împământate (puse la zero). Contactele nemodificate și potrivite vor reduce riscul de



e-mail: [info@valerii.com](mailto:info@valerii.com) [www.valerii.com](http://www.valerii.com)  
Сервиз: тел. 02/ 942 34 70 (национален)

Централен офис: София 1517

кв. "Сухата река" бул. "Ботевградско шосе" 44

тел.: 02/ 942 34 00, факс.: 02/ 945 4634

GSM 0889/ 444 991

Пловдив, с.Труд 4199

ул. "Строевско шосе" 3

тел./факс 032/ 953 666

GSM 0885/ 808 003

Варна 9000, кв. "Владиславово"

бул. "Атанас Москов" 13

тел.: 052/ 504 514

GSM 0885/ 808 004

София 2227, кв."Божурище"

бул. "Европа" 180, склад 33

тел.: 02/ 925 22 37

GSM 0889/ 334 692

Проверил: Р.Ч./31.10.2016г.



electrocutare.

- b) Evitați contactul corpului cu suprafețele împământate sau puse la zero, cum ar fi țevi, radiatoare și frigidere. În cazul în care corpul dumneavoastră este împământat sau pus la zero există un risc crescut de electrocutare.
- c) Nu expuneți sculele electrice la ploaie și condiții de umezeală. Pătrunderea apei în scula electrică va crește riscul de electrocutare.
- d) Nu forțați cablul. Nu utilizați niciodată cablul pentru a purta sau a opri scula electrică. Țineți cablul departe de căldură, ulei, muchii ascuțite sau părți în mișcare. Cablurile deteriorate sau încurcate sporesc riscul de electrocutare.
- e) Atunci când lucrați cu scule electrice în aer liber, utilizați prelungitor adecvat pentru utilizare în aer liber. Utilizarea cablului adecvat pentru exterior reduce riscul de electrocutare.

### 3) SIGURANȚA PERSONALĂ

- a) Urmăriți și fiți atenți la ceea ce faceți și acționați cu bun simț atunci când lucrați cu scule electrice. Nu utilizați scule electrice atunci când sunteți obosit sau dacă sunteți sub influența drogurilor, alcoolului sau a medicamentelor. Lipsa de concentrare în timpul utilizării sculelor electrice poate duce la răni grave.
- b) Folosiți echipament de protecție. Purtați întotdeauna ochelari de protecție. Echipamentul individual de protecție, cum ar fi masca împotriva prafului, pantofi de siguranță împotriva alunecării, cască sau protecția auzului utilizate în condițiile respective vor reduce riscul de ranire.
- c) Evitați pornirea accidentală. Asigurați-vă că, înainte de a trece la conectare la priză întrerupătorul este în poziția oprit. Purtarea sculei electrice cu degetul pe întrerupător sau conectarea la priză, până când întrerupătorul este în poziția pornit poate provoca accidente.
- d) Îndepărtați toate cheile de reglare sau cheile de piulițe înainte de a porni scula electrică. Cheile de piulițe sau alte chei atașate la părțile rotative ale sculei electrice pot duce la leziuni.
- e) Nu vă supraestimați. Fiți întotdeauna în stare bună și pe poziție stabilă. Acest lucru permite un control mai bun al sculei electrice în situații neașteptate.
- f) Îmbrăcați-vă în mod corespunzător. Nu purtați haine largi sau bijuterii. Păstrați-vă părul, îmbrăcămintea și mânușile departe de piesele în mișcare. Hainele largi, bijuterii sau părul lung pot fi prinse în piesele aflate în mișcare.

- g) În cazul în care sculele electrice sunt furnizate cu un dispozitiv de eliminare a prafului și dispozitive de colectare, asigurați conectarea și utilizarea lor corectă. Utilizarea acestor dispozitive poate reduce riscurile legate cu praf.

### 4) UTILIZAREA ȘI ÎNGRIJIREA SCULELEOR ELECTRICE

- a) Nu utilizați forță asupra sculei electrice. Utilizați scula electrică potrivită pentru aplicațiile dumneavoastră. Scula electrică corespunzătoare va efectua lucrarea mai bine și în siguranță la viteza de proiectare.
  - b) Nu folosiți scula electrică dacă întrerupătorul nu o pornește sau oprește. Orice scula electrică ce nu poate fi controlată cu ajutorul întrerupătorului este periculoasă și trebuie reparată.
  - c) Deconectați ștecherul de la sursa de alimentare înainte de a efectua orice reglaje, de a schimba accesoriile sau de a depozita scula electrică. Astfel de măsuri preventive de siguranță reduc riscul pornirii accidentale a sculei electrice.
  - d) Depozitați sculele electrice nefolosite departe de la îndemâna copiilor și nu permiteți persoanelor nefamiliarizate cu scula electrică sau cu aceste instrucțiuni să lucreze cu scula electrică. Sculele electrice sunt periculoase în mâinile utilizatorilor neinstruiți.
  - e) Întrețineți sculele electrice. Verificați pentru defecțiunile sau reținere a pieselor în mișcare, piese sparte și orice altă stare care poate afecta funcționarea sculei electrice. În cazul în care este deteriorată, reparați scula electrică înainte de utilizare. Multe accidente sunt cauzate de scule electrice întreținute necorespunzător.
  - f) Întrețineți instrumentele de tăiere ascuțite și curate. Instrumentele de tăiere întreținute corespunzător, cu muchii ascuțite de tăiere este mai puțin probabil să fie prinse și se controlează mai ușor.
  - g) Folosiți sculele electrice, accesoriile, piesele și altele, în conformitate cu aceste instrucțiuni și în modul prescris pentru un anumit tip de scula electrică, ținând seama de condițiile de lucru și lucrările executate. Folosirea sculei electrice pentru alte scopuri decât cele prevăzute poate duce la situații periculoase.
- ### 5) SERVICE
- a) Serviciul sculei electrice trebuie să fie efectuat de către o persoană calificată, folosind numai piese de schimb identice. Acest lucru va asigura menținerea siguranței sculei electrice.

### INSTRUCȚIUNI SPECIFICE DE SIGURANȚĂ



e-mail: [info@valerii.com](mailto:info@valerii.com) [www.valerii.com](http://www.valerii.com)  
Сервиз: тел. 02/ 942 34 70 (национален)

Централен офис: София 1517

кв. "Сухата река" бул. "Ботевградско шосе" 44

тел.: 02/ 942 34 00, факс.: 02/ 945 4634

GSM 0889/ 444 991

Пловдив, с.Труд 4199

ул. "Строевско шосе" 3

тел./факс 032/ 953 666

GSM 0885/ 808 003

Варна 9000, кв. "Владиславово"

бул. "Атанас Москов" 13

тел.: 052/ 504 514

GSM 0885/ 808 004

София 2227, кв. "Божурище"

бул. "Европа" 180, склад 33

тел.: 02/ 925 22 37

GSM 0889/ 334 692

Проверил: П.Ч./31.10.2016г.



Fiți atent pentru reacția momentului ridicat de rotire în cazul găuririi mai ales atunci când găuriți tencuială.

NU încercați să modificați oricare dintre comutatoarele de opțiuni, în timp ce motorul este pornit. Acest lucru poate deteriora mașina.

NU încercați să schimbați mașina sau accesoriile acesteia în nici un fel. NU forțați mașina, lăsați-o să funcționeze. Acest lucru va reduce uzura mașinii și instrumentului de tăiere și va crește eficiența și durata de viață.

Nu utilizați acest produs cu orice dispozitiv proiectat pentru amestecarea de tencuială sau beton. Sau pentru orice alte operațiuni de amestecare.

## REGULI DE SIGURANȚĂ SUPLIMENTARE PENTRU MAȘINA DE GĂURIT

Dacă este posibil, folosiți întotdeauna scoabe sau o menghină pentru a fixa piesa de prelucrat.

Întotdeauna opriți înainte de a lăsa mașina de găurit

Atunci când utilizați mașina de găurit, utilizați echipament de siguranță, inclusiv ochelari de protecție sau mască, protecție pentru urechi și îmbrăcăminte de protecție, inclusiv mănuși de protecție. Purtați o mască de praf dacă operațiunea de găurire creează praf.

## INSTRUCȚIUNI DE SIGURANȚĂ SUPLIMENTARE PENTRU ÎNCĂRCĂTOR

1. Înainte de a utiliza încărcătorul, citiți toate instrucțiunile și notele de avertizare cu privire la încărcător și baterie și instrucțiunile de utilizare a bateriei.
2. Încărcați bateriile numai în interior pentru că încărcătorul este proiectat numai pentru utilizarea în interior.
3. **ATENȚIE!** În cazul în care bateria este crăpată sau deteriorată în vreun fel, nu conectați la încărcător. Există pericol de electrocutare.
4. **ATENȚIE!** Nu lăsați nici un lichid să intre în contact cu încărcătorul. Există pericol de electrocutare.
5. Încărcătorul și bateriile livrate împreună cu acesta sunt special concepute pentru a lucra împreună. Nu încercați să încărcați bateriile cu un alt încărcător, altul decât cel livrat.
6. Nu trageți cablul pentru a deconecta aparatul de la priză.
7. Nu folosiți încărcătorul în cazul în care acesta a fost supus la ciocniri grele, cădere sau este deteriorat. Purtați încărcătorul la un centru de service autorizat pentru inspecție și reparații.
8. Nu demontați încărcătorul. În cazul în care aveți nevoie de service sau reparații, purtați-l la un centru de service autorizat. Asamblarea necorespunzătoare poate duce la un risc de incendiu sau electrocutare.
9. Pentru a reduce riscul de electrocutare, deconectați încărcătorul de la rețeaua electrică înainte de a

încerca să-l curățați. Demontarea numai a bateriei nu reduce riscul.

## INSTRUCȚIUNI DE SIGURANȚĂ SUPLIMENTARE PENTRU BATERIE

1. Bateria pentru acest aparat este livrată cu încărcare redusă. Înainte de a utiliza, trebuie să încărcați complet.
2. Nu ardeți bateria, chiar dacă acesta este grav deteriorată sau nu mai poate deține încărcare. În foc, bateria poate exploda.
3. O mică scurgere din baterie poate avea loc în condiții extreme de temperatură sau în condiții de utilizare. Cu toate acestea, în cazul în care garnitura exterioară este ruptă și acest lichid intră în contact cu pielea spăți rapede zona cu apă și săpun. În cazul în care lichidul intră în contact cu ochii dvs., clătiți cu apă curată timp de 10 minute și solicitați imediat asistență medicală. Informați personalul medical că lichidul este 25-35% soluție de hidroxid de potasiu.
4. Nu încercați niciodată să deschideți bateria din orice motiv. În cazul în care carcasa de plastic a bateriei se rupe sau se crapă, opriți imediat utilizarea acesteia și nu o reîncărcați.
5. Nu depozitați și nu transportați o baterie de rezervă într-un buzunar sau set de instrumente sau orice alt loc unde aceasta ar putea veni în contact cu obiecte metalice. Bateria poate fi conectată la scurt, provocând deteriorări, arsuri sau incendii.

## INFORMAȚII PRIVIND ÎNCĂRCAREA BATERIEI

Nivelurile de încărcare pentru baterii NiCad și/ sau Li-Ion NiCad și/ sau Li-Ion sunt determinate de timpul pentru încărcarea completă a bateriei și curentul de încărcare. Cele trei viteze cel mai frecvent utilizate pentru încărcare, sunt de obicei:

Încărcare rapidă

Încărcare lentă

Încărcare continuă cu curent redus.

## BATERII CU ÎNCĂRCARE RAPIDĂ

Vitezele de încărcare pentru bateriile cu încărcare rapidă pot fluctua între 30 de minute și 90 de minute. Viteza de încărcare a bateriilor livrate cu scule electrice fără fir sunt listate în manualul produsului.

## BATERII CU ÎNCĂRCARE LENTĂ

Viteza de încărcare pentru bateriile cu încărcare lentă este între 3 ore și 5 ore.

## BATERII CU ÎNCĂRCARE CONTINUĂ CU CURENT REDUS

Vitezele de încărcare pentru bateriile cu continuă cu curent



e-mail: [info@valerii.com](mailto:info@valerii.com) [www.valerii.com](http://www.valerii.com)  
Сервиз: тел. 02/ 942 34 70 (национален)

Централен офис: София 1517

кв. "Сухата река" бул. "Ботевградско шосе" 44

тел.: 02/ 942 34 00, факс.: 02/ 945 4634

GSM 0889/ 444 991

Пловдив, с.Труд 4199

ул. "Строевско шосе" 3

тел./факс 032/ 953 666

GSM 0885/ 808 003

Варна 9000, кв. "Владиславово"

бул. "Атанас Москов" 13

тел.: 052/ 504 514

GSM 0885/ 808 004

София 2227, кв. "Божурище"

бул. "Европа" 180, склад 33

тел.: 02/ 925 22 37

GSM 0889/ 334 692

Проверил: П.Ч./31.10.2016г.





redus sunt între 7 ore și 9 ore.

## IMPORTANT!

### INFORMAȚII PENTRU ÎNCĂRCARE DE BATERII NICAD ȘI/ SAU LI-ION

**ÎNTOTDEAUNA DESCĂRCAȚI COMPLET BATERIILE NiCad și/sau Li-Ion, ÎNAINTE DE A LE REÎNCĂRCA ȘI NICIODATĂ NU DEPĂȘIȚI TIMPUL DE ÎNCĂRCARE CU EXCEPȚIA CAZULUI ÎN CARE ÎNCĂRCAȚI O NOUĂ BATERIE.**

### PROCEDURA DE ÎNCĂRCARE

Atunci când încărcați o nouă baterie NiCad și/sau Li-Ion, aceasta trebuie să fie complet descărcată și apoi încărcată complet în conformitate cu manualul de utilizare, plus 30 de minute. Apoi urmează o descărcare completă și o încărcare completă ulterioară în conformitate cu manualul de utilizare, plus 30 de minute. Această procedură permite introducerea bateriei în stare de funcționare și egalizează presiunea celulelor. Procedura următoare va asigura o performanță optimă a bateriei.

Atunci când folosiți încărcătorul pentru încărcarea succesivă a mai multor baterii, lăsați întotdeauna dispozitivul să se răcească înainte de a încărca bateria următoare. Se recomandă ca perioada de răcire să nu fie mai mică de 30 până la 45 de minute.

Atunci când încărcați o baterie care a fost descărcată într-un regim greu lăsați bateria să se răcească înainte de încărcare. Se recomandă ca perioada de răcire să nu fie mai mică de 30 până la 45 de minute.

### ÎNCĂRCARE ȘI ÎNCĂRCĂTOARE PENTRU BATERII NICAD ȘI/SAU LI-ION

Bateriile NiCad și/sau Li-Ion trebuie să fie încărcate cu grijă respectivă în mare măsură deoarece acestea pot fi deteriorate de supraîncărcare.

Supraîncărcarea poate duce la o creștere rapidă a temperaturii și a presiunii interne a bateriei. Acest lucru poate duce la distrugerea celulelor și scurgerea de electrolit și, în cazuri excepționale, atunci când presiunea internă devine extrem de ridicată ele pot exploda chiar.

Această situație poate apărea, de asemenea, atunci când bateria supraîncărcată este introdusă în produs și utilizată. Pentru a evita o astfel de situație extremă, este esențial ca bateriile NiCad și/sau Li-Ion să fie complet descărcate înainte de încărcare și durata de încărcare nu trebuie depășită, cu excepția cazului în care este încărcată o nouă baterie. Încărcarea succesivă a bateriilor parțial descărcate poate deteriora una sau mai multe celule.

### DESCĂRCARE INDIVIDUALĂ



Bateria cu litiu se poate descărca singură și să-și piardă încărcătura. De obicei, ea pierde aproximativ 5% din încărcătura sa în prima lună după încărcare completă (atunci când este păstrată la temperatura camerei), iar apoi pierde încă 3% pe lună. Atunci când este depozitată la temperaturi mai ridicate, viteza de descărcare individuală crește.

### ÎNCĂRCAREA BATERIEI ÎN INTERIOR

Acest încărcător este proiectat pentru a fi utilizat în interior. Noi nu recomandăm utilizarea acestuia la domiciliu. Condițiile ideale pentru a încărca bateria sunt pe bancă într-un atelier de lucru, garaj sau vărsat. În cazul în care operațiunea de încărcare se va face în casa dvs., ea trebuie să fie bine ventilată, iar încărcătorul trebuie să fie plasat pe suprafața neinflamabilă, și să vă asigurați că orificiile de aerisire nu sunt blocate. Nu depășiți niciodată timpul de încărcare, cu excepția cazului în care încărcați o nouă baterie, deoarece acest lucru poate deteriora bateria sau încărcătorul.

### ELIMINAREA BATERIEI

În cazul în care bateria nu poate fi încărcată sau nu poate deține o încărcătură, durata sa de viață utilă este epuizată. Pentru a proteja resursele naturale, vă rugăm să reciclați sau să aruncați bateriile în mod corespunzător. Acest tip de baterie conține celule nichel - cadmiu. Înainte de aruncare, asigurați-vă că bateria este descărcată complet activând scula electrică fără fir, apoi scoateți bateria din corpul mașinii de găurit și acoperiți vârfurile de conectare cu bandă groasă pentru a preveni conectarea la scurt și descărcare electrică care poate provoca incendiu. Nu încercați să deschideți sau să eliminați toate componentele.

Consultați autoritățile locale a deșeurilor pentru informații cu privire la opțiunile posibile de reciclare și/sau eliminare.

### INSTRUCȚIUNI SPECIFICE DE SIGURANȚĂ

#### ÎNCĂRCAREA BATERIILOR

Bateriile pot avea o scurgere sau pot exploda în cazul în care acestea nu sunt încărcate sau transportate în mod corespunzător. În timp ce manipulați cu baterii, respectați întotdeauna următoarele avertismente. Asigurați-vă că aparatul este oprit înainte de a scoate sau introduce baterii.

Nu utilizați această baterie cu orice alt produs.

Nu încercați să puneți în mod greșit bateria înapoi.

Nu conectați la scurt sau nu încercați să demontați bateria.

e-mail: [info@valerii.com](mailto:info@valerii.com) [www.valerii.com](http://www.valerii.com)  
Сервиз: тел. 02/ 942 34 70 (национален)

Централен офис: София 1517

кв. "Сухата река" бул. "Ботевградско шосе" 44

тел.: 02/ 942 34 00, факс.: 02/ 945 4634

GSM 0889/ 444 991

Пловдив, с.Труд 4199

ул. "Строевско шосе" 3

тел./факс 032/ 953 666

GSM 0885/ 808 003

Варна 9000, кв. "Владиславово"

бул. "Атанас Москов" 13

тел.: 052/ 504 514

GSM 0885/ 808 004

София 2227, кв. "Божурци"

бул. "Европа" 180, склад 33

тел.: 02/ 925 22 37

GSM 0889/ 334 692

Проверил: П.Ч./31.10.2016г.



Nu expuneți bateria la flacără sau temperaturi extreme.

Nu scufundați sau nu expuneți bateria la apă

Nu depozitați și nu transportați bateria cu obiecte metalice în vrac, cum ar fi burghie de foraj și accesorii de găurit.

Bateriile sunt predispuse la scurgeri în cazul descărcării. Pentru a evita deteriorarea produsului, îndepărtați sau încărcați bateria atunci când nu există nici o încărcătură. Atunci când nu folosiți aparatul, depozitați bateria într-un loc răcoros.

După o utilizare îndelungată, bateria se poate încălzi. Înainte de a scoate bateria, opriți aparatul și lăsați bateria să se răcească. Nu utilizați bateria dacă observați modificări de culoare sau de denaturare a carcasei bateriei.

## ÎNCĂRCAREA BATERIEI (FIGURA 2)

Nu folosiți alte încărcătoare pentru baterie. Încărcătorul furnizat este proiectat pentru bateriile litiu - ion ale mașinii dvs.

Notă: Bateria este livrată parțial încărcată. Pentru a asigura o capacitate maximă a bateriei, încărcați complet bateria cu încărcătorul înainte de a utiliza scula electrică pentru prima dată.

Bateria litiu - ion poate fi reîncărcată în orice moment, fără a reduce durata sa de viață. Întreruperea procedurii de încărcare nu deteriorează bateria.

Atunci când indicatorul de încărcare al bateriei luminează verde, bateria urmează să fie încărcată.

Procedura de încărcare începe de îndată ce ștecherul încărcătorului este conectat la o priză și vârful conectat la baterie (Figura 2).

Indicatorul de încărcare a bateriei arată procesul de încărcare. În timpul încărcării luminează roșu. Atunci când indicatorul de încărcare devine verde, bateria este complet încărcată.

În timpul procedurii, mânerul sculei electrice este încălzit. Acest lucru este normal.

Mașina de găurit necesită între 3-5 ore pentru încărcare completă.

Scoateți încărcătorul din priză atunci când nu este în uz.

Notă: Sculele electrice nu pot fi folosite în timpul procedurii de încărcare.



e-mail: [info@valerii.com](mailto:info@valerii.com) [www.valerii.com](http://www.valerii.com)  
Сервиз: тел. 02/ 942 34 70 (национален)

Централен офис: София 1517

кв. "Сухата река" бул. "Ботевградско шосе" 44

тел.: 02/ 942 34 00, факс.: 02/ 945 4634

GSM 0889/ 444 991

Пловдив, с.Труд 4199

ул. "Строевско шосе" 3

тел./факс 032/ 953 666

GSM 0885/ 808 003

Варна 9000, кв. "Владиславово"

бул. "Атанас Москов" 13

тел.: 052/ 504 514

GSM 0885/ 808 004

София 2227, кв."Божурище"

бул. "Европа" 180, склад 33

тел.: 02/ 925 22 37

GSM 0889/ 334 692

Проверил: Р.Ч./31.10.2016г.



**COMPONENTE ȘI CONTROALE (FIGURA 1)**

1 Baterie Li-ion	7 Încărcător
2 Știft pentru eliberare a bateriei	8 Comutator înainte / înapoi
3 Întrerupător de acționare, pornire/ oprire	9 Mâner
4 Reglarea momentului de rotire	
5 Mandrina de strângere rapidă	
6 2 reductor de viteze	

pentru utilizare.

**CONTROL PENTRU SCHIMBARE DE VITEZĂ (FIGURA 3)**

Aplicati presiune ușoară pe întrerupătorul de pornire pentru a porni mașina de găurit la viteză redusă. Creșterea presiunii va permite o creștere cu viteză variabilă. Scoateți întotdeauna bateria înainte de a efectua setare sau întreținere.

**FUNȚIONAREA MANDRINEI CU STRÂNGERE RAPIDĂ**

Mandrina cu strângere rapidă montată pe aceasta mașina de găurit permite instalarea și îndepărtarea ușoară a accesoriilor și sfredelitorilor (Figura 4).


Mandrina are două inele de rotație (A și B). Selectați dispozitivul pe care aveți nevoie și puneți-l în fălci, rotiți inelul A în sensul acelor de ceas până când fălcile fixează dispozitivul. Cu mâna liberă apucați ferm inelul B și rotiți inelul A în sensul acelor de ceas până când acesta fixează dispozitivul către mașină de găurit. Nu utilizați forța pentru a strânge. Puneți înapoi bateria și mașina este gata

**SETAREA MOMENTULUI DE ROTIRE**

Această funcție permite reglarea momentului de rotire sau creșterea puterii mașinii de găurit și în funcție de aplicație, diferite nivele de putere ale pornirii. Atunci când utilizați șuruburi cu diametru mai mare aveți nevoie de un moment de rotire mai mare pentru a roti șurubul mai bine.

Când momentul de rotire selectat este atins mandrina își oprește rotirea (Figura 5).

**NOTĂ** –Întotdeauna începeți cu o setare mai mică.

Simbolul  indică valoarea cea mai mare a setării momentului de rotire și este utilizat pentru șuruburi mai mari.

**COMUTATOR PENTRU MIȘCAREA ÎNAITE ȘI ÎNAPOI (FIGURA 6)**

Această funcție este selectată printr-un cursor localizat deasupra întrerupătorului de pornire. Pentru a selecta direcția de rotație a mașinii pur și simplu apăsați butonul complet la stânga pentru rotirea inversă. Pentru a schimba



e-mail: [info@valerii.com](mailto:info@valerii.com) [www.valerii.com](http://www.valerii.com)  
Сервиз:тел. 02/ 942 34 70 (национален)

Централен офис: София 1517  
кв. "Сухата река" бул. "Ботевградско шосе" 44  
тел.: 02/ 942 34 00, факс.: 02/ 945 4634  
GSM 0889/ 444 991

Пловдив, с.Труд 4199  
ул. "Строевско шосе" 3  
тел./факс 032/ 953 666  
GSM 0885/ 808 003

Варна 9000, кв. "Владиславово"  
бул. "Атанас Москов" 13  
тел.: 052/ 504 514  
GSM 0885/ 808 004

София 2227, кв."Божурище"  
бул. "Европа" 180, склад 33  
тел.: 02/ 925 22 37  
GSM 0889/ 334 692

Проверил: Р.Ч./31.10.2016г.



direcția de rotație înainte, apăsați butonul complet la dreapta în ceea ce privește mânerul.

## 2 REDUCTOR DE VITEZE (FIGURA 7)

Această mașină de găurit este livrată cu reductor cu 2 viteze, pentru viteză înaltă și joasă. Pentru a schimba între cele două viteze glisați comutatorul amplasat în partea de sus a mașinii.

### ATENȚIE!

Mașina este proiectată să funcționeze ca o mașină de găurit și o mașină de înșurubat.

Nu atașați accesorii altele decât cele recomandate.

**NOTĂ**– Măsură de siguranță împotriva acționării accidentale în timp ce purtați instrumentul este plasarea butonului înainte/ înapoi în poziția de mijloc sau neutru, ceea ce face instrumentul inutilizabil.

### RECOMANDĂRI PENTRU UTILIZARE CA MAȘINA DE ÎNȘURUBAT

1) Utilizați ceara de albine sau altă ceara pe filetul șurubului pentru a accelera plasarea.

2) Ori de câte ori este posibil, rotiți în deschizături cu un diametru mai mic pentru a elimina posibilitatea de a sparge particule de lemn din suprafață.

### CARACTERISTICI TEHNICE

Tensiune	18 V DC
Viteza fără sarcină	0-400 min <sup>-1</sup> 0-1500 min <sup>-1</sup>
Setările momentului de rotire	Ajustare automată
Momentul de rotire maxim	50 Nm
Dimensiunea mandrinei cu strângere rapidă	13 mm
Tensiunea de intrare a încărcătorului	230 V – 50 HZ
Tensiunea de ieșire a încărcătorului	20 V DC 2000 mA
Durată de încărcare	1 oră

### SIMBOLURI

Pe plăcuța de fabricație a sculei electrice pot fi descrise simboluri. Ele reprezintă informații importante despre produs sau instrucțiunile de utilizare.



Purtați mijloace de protecție a auzului.  
Purtați ochelari de protecție.  
Purtați echipament de protecție respiratorie



Îndeplinește standardele de siguranță relevante.



Izolație dublă pentru o protecție suplimentară.

Citiți manualul de instrucțiuni.



Produsul este în conformitate cu cerințele RoHS



Avertizare generală



e-mail: [info@valerii.com](mailto:info@valerii.com) [www.valerii.com](http://www.valerii.com)  
Сервиз: тел. 02/ 942 34 70 (национален)

Централен офис: София 1517

кв. "Сухата река" бул. "Ботевградско шосе" 44

тел.: 02/ 942 34 00, факс.: 02/ 945 4634

GSM 0889/ 444 991

Пловдив, с.Труд 4199

ул. "Строевско шосе" 3

тел./факс 032/ 953 666

GSM 0885/ 808 003

Варна 9000, кв. "Владиславово"

бул. "Атанас Москов" 13

тел.: 052/ 504 514

GSM 0885/ 808 004

София 2227, кв."Божурище"

бул. "Европа" 180, склад 33

тел.: 02/ 925 22 37

GSM 0889/ 334 692

Проверил: Р.Ч./31.10.2016г.



Conține ioni de litiu

130°



Conexiune termică cu temperatura de lucru

Acest produs este potrivit pentru utilizarea în interior



Deșeurile din produse electrice nu trebuie aruncate împreună cu gunoiul menajer. Vă rugăm să reciclați, în cazurile în care există facilități. Verificați la autoritatea sau distribuitorul local pentru sfaturi de reciclare.



e-mail: [info@valerii.com](mailto:info@valerii.com) [www.valerii.com](http://www.valerii.com)  
Сервиз: тел. 02/ 942 34 70 (национален)

Централен офис: София 1517

кв. "Сухата река" бул. "Ботевградско шосе" 44

тел.: 02/ 942 34 00, факс.: 02/ 945 4634

GSM 0889/ 444 991

Пловдив, с.Труд 4199

ул. "Строевско шосе" 3

тел./факс 032/ 953 666

GSM 0885/ 808 003

Варна 9000, кв. "Владиславово"

бул. "Атанас Москов" 13

тел.: 052/ 504 514

GSM 0885/ 808 004

София 2227, кв."Божурище"

бул. "Европа" 180, склад 33

тел.: 02/ 925 22 37

GSM 0889/ 334 692

Проверил: Р.Ч./31.10.2016г.



## ПРОТЕКЦИЯ МЕДИУЛУИ

Информация (господарии приватне) за елиминирање на одговорно дењеури од електрични и електронични (DEEE).



Ова симбол применет на производи и/или документите придружители означува дека електричните и електроничните производи по истекување на својот век на употреба не треба да се фрлат заедно со домаќинските отпадници. За употреба, обработка, вредностување и рециклирање соодветно, ве молиме да ги носите производите на местата за собирање означени каде што ќе се прифатат бесплатно. Во спротивно, во некои држави, можете да вратите производот на дистрибуторот в.д. тогаш кога купувате нов производ еквивалент. Правилно фрлање на овој производ помага за зачувување на вредните ресурси и за спречување на потенцијално штетни ефекти врз човека и животната средина кои инаку можат да се случат поради неправилно третирање на отпадот и транспортот. Ве молиме да контактирате локалните власти за дополнителна информација за најблискиот пункт за собирање. Во случај на депонирање несоодветно на овој производ, во согласност со националната законодавство, се може да се наметне казна.

### ЗА КОРИСНИЦИТЕ НА БИЗНЕСИТЕ ВО ЕВРОПСКАТА УНИЈА

Во случај кога сакате да елиминирате електрични и електронични производи, ве молиме за повеќе информации контактирајте дистрибуторот или доставачот в.д.

Информации за елиминирање на отпадот во други држави од Европската Унија.

Ова симбол е валиден само во Европската Унија.

Во случај кога сакате да елиминирате овој производ, ве молиме да контактирате локалните власти или дистрибуторот и да ја откриете правилната метода на елиминирање.



e-mail: [info@valerii.com](mailto:info@valerii.com) [www.valerii.com](http://www.valerii.com)  
Сервиз: тел. 02/ 942 34 70 (национален)

Централен офис: Софија 1517

кв. "Сухата река" бул. "Ботевградско шосе" 44

тел.: 02/ 942 34 00, факс.: 02/ 945 4634

GSM 0889/ 444 991

Пловдив, с.Труд 4199

ул. "Строевско шосе" 3

тел./факс 032/ 953 666

GSM 0885/ 808 003

Варна 9000, кв. "Владиславово"

бул. "Атанас Москов" 13

тел.: 052/ 504 514

GSM 0885/ 808 004

Софија 2227, кв."Божурице"

бул. "Европа" 180, склад 33

тел.: 02/ 925 22 37

GSM 0889/ 334 692

Проверил: Р.Ч./31.10.2016г.



# БЕЗЧЕТКОВА ПРОБИВНА МАШИНА PREMIUM-HD 0503CD103



e-mail: [info@valerii.com](mailto:info@valerii.com) [www.valerii.com](http://www.valerii.com)  
Сервиз: тел. 02/ 942 34 70 (национален)

Централен офис: София 1517  
кв. "Сухата река" бул. "Ботевградско шосе" 44  
тел.: 02/ 942 34 00, факс.: 02/ 945 4634  
GSM 0889/ 444 991

Пловдив, с.Труд 4199  
ул. "Строевско шосе" 3  
тел./факс 032/ 953 666  
GSM 0885/ 808 003

Варна 9000, кв. "Владиславово"  
бул. "Атанас Москов" 13  
тел.: 052/ 504 514  
GSM 0885/ 808 004

София 2227, кв."Божурище"  
бул. "Европа" 180, склад 33  
тел.: 02/ 925 22 37  
GSM 0889/ 334 692

Проверил: Р.Ч./31.10.2016г.



## ВЪВЕДЕНИЕ

Благодарим ви, че закупихте този продукт, който е преминал нашия разширен процес за осигуряване на качество. Положихме са всички усилия, за да осигурим той да достигне до вас в перфектно състояние.

## БЕЗОПАСНОСТТА ПРЕДИ ВСИЧКО

Преди да опитате да работите с този електрически уред, всички основни предпазни мерки трябва да се вземат, за да се намали риска от пожар, електрически удар и нараняване. Важно е да прочетете ръководството с инструкции, за да разберете приложението, ограниченията и потенциалните опасности, свързани с този уред.

## СЕРТИФИКАТ ЗА ГАРАНЦИЯ

Този продукт има гаранционен период от 3 години, който влиза в сила от датата на покупка и е приложим само за първоначалния купувач. Тази гаранция е приложима само към дефекти, възникнали в следствие дефектни материали и дефекти при производството, които са станали видими само по време на гаранционния период и не включва консумативите. Производителят ще ремонтира или смени продукта по собствена преценка, при спазване на следващото. Този продукт е използван в съответствие с инструкциите, посочени в ръководството за продукта и не е бил обект на злоупотреба, насилие или използван не по предназначение. Продуктът не трябва да бъде разглобяван или променян по какъвто и да е начин или не е бил обслужван от неоторизирано лице или не е използван с цел отдаване по наем. Транспортните повреди не се изключват от тази гаранция, за такива повреди отговорност носи транспортната компания. Претенции, предявени съгласно тази гаранция трябва да бъдат отправени при първа възможност, директно към търговеца на дребно в рамките на гаранционния период. При изключителни обстоятелства продуктът може да бъде върнат на производителя. В тези случаи, потребителят е задължен да върне продукта на собствени разноски, като осигури продуктът да бъде подходящо опакован, за да се предотврати повреда при транспортиране и трябва да бъде придружен от кратко описание на повредата и копие от квитанцията или друго доказателство за покупката. Производителят няма да носи отговорност за никакви специални, типични, директни, индиректни, случайни или последващи загуби или повреди съгласно тази гаранция.

## ПРАВА ПО ЗАКОН

Тази гаранция не е допълнение и не засяга никакви права по закон.

## ДЕПониране на продукта

Когато този продукт достигне края на живота си или се депонира по някаква друга причина, той не трябва да бъде изхвърлян заедно с битовите отпадъци. За да се запазят природните ресурси и да се сведе до минимум влиянието върху околната среда, моля, депонирайте този продукт по екологичен начин, щадящ природата. Той трябва да бъде отнесен до локалния център за рециклиране или друго съоръжение за депониране. Ако се съмнявате, консултирайте се с местния орган по отпадъците за информация относно възможните опции за рециклиране и/или депониране.



e-mail: [info@valerii.com](mailto:info@valerii.com) [www.valerii.com](http://www.valerii.com)  
Сервиз: тел. 02/ 942 34 70 (национален)

Централен офис: София 1517

кв. "Сухата река" бул. "Ботевградско шосе" 44

тел.: 02/ 942 34 00, факс.: 02/ 945 4634

GSM 0889/ 444 991

Пловдив, с.Труд 4199

ул. "Строевско шосе" 3

тел./факс 032/ 953 666

GSM 0885/ 808 003

Варна 9000, кв. "Владиславово"

бул. "Атанас Москов" 13

тел.: 052/ 504 514

GSM 0885/ 808 004

София 2227, кв."Божурище"

бул. "Европа" 180, склад 33

тел.: 02/ 925 22 37

GSM 0889/ 334 692

Проверил: Р.Ч./31.10.2016г.





(1)



e-mail: [info@valerii.com](mailto:info@valerii.com) [www.valerii.com](http://www.valerii.com)  
Сервиз: тел. 02/ 942 34 70 (национален)

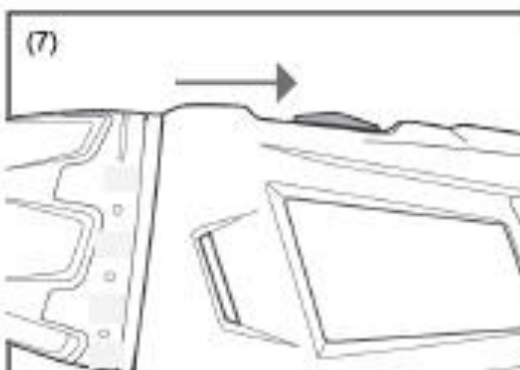
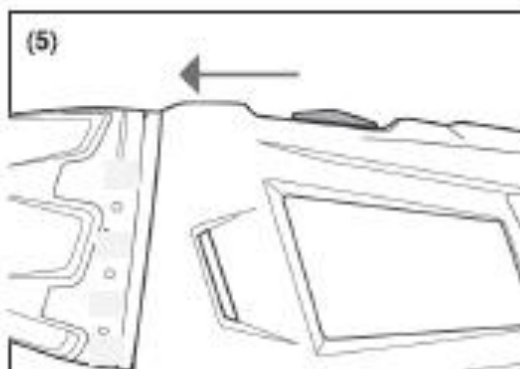
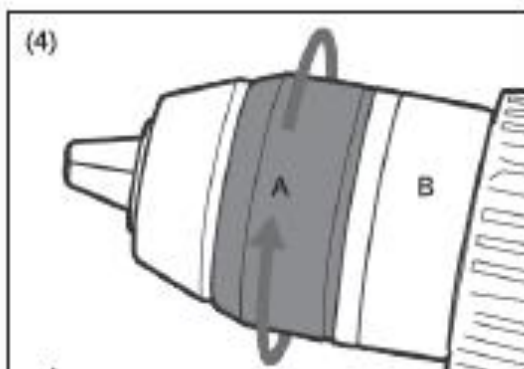
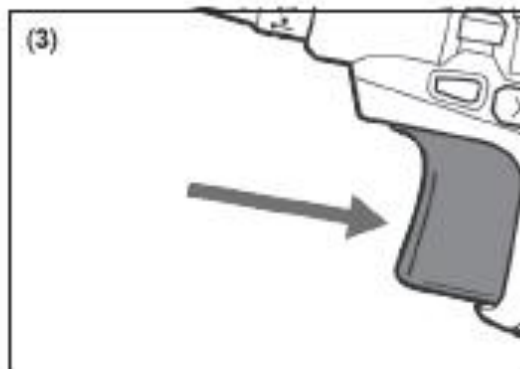
Централен офис: София 1517  
кв. "Сухата река" бул. "Ботевградско шосе" 44  
тел.: 02/ 942 34 00, факс.: 02/ 945 4634  
GSM 0889/ 444 991

Пловдив, с.Труд 4199  
ул. "Строевско шосе" 3  
тел./факс 032/ 953 666  
GSM 0885/ 808 003

Варна 9000, кв. "Владиславово"  
бул. "Атанас Москов" 13  
тел.: 052/ 504 514  
GSM 0885/ 808 004

София 2227, кв."Божурище"  
бул. "Европа" 180, склад 33  
тел.: 02/ 925 22 37  
GSM 0889/ 334 692

Проверил: Р.Ч./31.10.2016г.



e-mail: [info@valerii.com](mailto:info@valerii.com) [www.valerii.com](http://www.valerii.com)  
Сервиз: тел. 02/ 942 34 70 (национален)

Централен офис: София 1517  
кв. "Сухата река" бул. "Ботевградско шосе" 44  
тел.: 02/ 942 34 00, факс.: 02/ 945 4634  
GSM 0889/ 444 991

Пловдив, с.Труд 4199  
ул. "Строевско шосе" 3  
тел./факс 032/ 953 666  
GSM 0885/ 808 003

Варна 9000, кв. "Владиславово"  
бул. "Атанас Москов" 13  
тел.: 052/ 504 514  
GSM 0885/ 808 004

София 2227, кв."Божурище"  
бул. "Европа" 180, склад 33  
тел.: 02/ 925 22 37  
GSM 0889/ 334 692

Проверил: Р.Ч./31.10.2016г.



## ОБЩИ ПРАВИЛА ЗА БЕЗОПАСНОСТ

### Внимание!

Прочетете всички инструкции. Не спазването на инструкциите, изброени по-долу може да доведе до електрически удар, пожар и/или сериозно нараняване. Терминът "електрически уред" във всички предупреждения, изброени по-долу, означава всички ваши уреди, зареждани от електрическата мрежа (кабелни) или уреди, захранвани от батерия (безжични).

## ЗАПАЗЕТЕ ТЕЗИ ИНСТРУКЦИИ

### 6) РАБОТНА ЗОНА

- d) Поддържайте работната зона чиста и добре осветена. Разхвърляните и тъмни зони са предпоставка за инциденти.
- e) Не използвайте електрическия уред в експлозивни атмосфери като наличие на запалими течности, газове и прах. Електрическите уреди създават искри, които могат да запалят праха или парите.
- f) Дръжте децата и страничните наблюдатели далеч, докато работите с електрическия уред. Разсеяността може да предизвика загуба на контрол.

### 7) ЕЛЕКТРИЧЕСКА БЕЗОПАСНОСТ

- f) Щепселите на електрическите уреди трябва да съответства на контакта. Никога и по никакъв начин не променяйте щепсела. Не използвайте адаптерни щепсели със заземен (занулен) електрически уред. Непроменените и съответстващи контакти ще намалят риска от електрически удар.
- g) Избягвайте контакт на тялото със заземен или занулени повърхности като тръби, радиатори и хладилници. Ако тялото ви бъде заземено или занулено съществува увеличен риск от електрически удар.
- h) Не излагайте електрическите уреди на дъжд и мокри условия. Водата, навлизаща в електрическия уред ще увеличи риска от електрически удар.
- i) Не насилвайте кабела. Никога не използвайте кабела за носене, включване или изключване на електрическия уред. Дръжте кабела далеч от топлина, масло, остри ръбове или движещи се части. Повредените или оплетени кабели увеличават риска от електрически удар.
- j) Когато работите с електрически уред на открито, използвайте удължител, подходящ за работа на открито. Използването на кабел, подходящ за използване на открито намалява риска от електрически удар.

### 8) ЛИЧНА БЕЗОПАСНОСТ

- h) Внимавайте, следете какво правите и действайте разумно, когато работите с електрически уред. Не

използвайте електрически уред когато сте уморени или ако сте под влияние на упойващи вещества, алкохол или медикаменти. Момент невнимание докато работите с електрически инструменти може да доведе до сериозни наранявания.

- i) Използвайте безопасно оборудване. Винаги носете защита за очите. Личните предпазни средства като маса за прах, защитни обувки против подхлъзване, каска или защита за слуха, използвани при съответните условия ще намалят риска от наранявания.
- j) Избягвайте случайно стартиране. Осигурете преди включване към контакта, прекъсвачът да бъде в положение изключено. Носенето а електрически уред с пръст на прекъсвача или включване към контакта, докато прекъсвача е в положение включен може да предизвика инциденти.
- k) Отстранете всички ключове за регулиране или гаечни ключове преди да включите електрическия уред. Гаечен или друг ключ, закрепен към въртящите се части на електрическия уред могат да доведат до наранявания.
- l) Не се надценявайте. Винаги бъдете добре и стабилно стъпили. Това позволява по-добър контрол на електрически инструмент в неочаквани ситуации.
- m) Обличайте се подходящо. Не носете широки дрехи или бижута. Дръжте косата, дрехите и ръкавиците си далеч от движещи се части. Широките дрехи, бижутата или дългата коса могат да бъдат захванати от подвижните части.
- n) Ако устройствата са снабдени с приспособление за връзка за отвеждане на праха и съоръжения за събиране, осигурете правилното им свързване и използване. Използването на тези устройства може да намали опасностите, свързани с прах.

### 9) ИЗПОЛЗВАНЕ И ГРИЖА ЗА ЕЛЕКТРИЧЕСКИЯ УРЕД

- h) Не използвайте сила върху електрическия уред. Използвайте правилен електрически уред за вашите приложения. Подходящият електрически инструмент ще изпълни работата по-добре и по-безопасно при проектната скорост.
- i) Не използвайте електрическия инструмент, ако прекъсвачът не го включва и изключва. Всеки електрически инструмент, който не може да се контролира с прекъсвача е опасен и трябва да бъде ремонтиран.
- j) Изключете щепсела от източника на захранване преди да правите каквито и да било настройки, да смените аксесоари или да съхранявате електрическия инструмент. Такива превантивни мерки за безопасност намаляват риска от случайно стартиране на електрическия инструмент.



e-mail: [info@valerii.com](mailto:info@valerii.com) [www.valerii.com](http://www.valerii.com)  
Сервиз: тел. 02/ 942 34 70 (национален)

Централен офис: София 1517

кв. "Сухата река" бул. "Ботевградско шосе" 44

тел.: 02/ 942 34 00, факс.: 02/ 945 4634

GSM 0889/ 444 991

Пловдив, с.Труд 4199

ул. "Строевско шосе" 3

тел./факс 032/ 953 666

GSM 0885/ 808 003

Варна 9000, кв. "Владиславово"

бул. "Атанас Москов" 13

тел.: 052/ 504 514

GSM 0885/ 808 004

София 2227, кв."Божурище"

бул. "Европа" 180, склад 33

тел.: 02/ 925 22 37

GSM 0889/ 334 692

Проверил: Р.Ч./31.10.2016г.



- k) Съхранявайте неизползваните електрически инструменти далеч от деца и не допускате лица, които не са запознати с електрическия инструмент или тези инструкции да работят с електрическия инструмент. Електрическите инструменти са опасни в ръцете на необучени потребители.
- l) Поддържайте електрическите инструменти. Проверявайте за неизправности или задържане на подвижните части, счупени части и всяко друго състояние, което може да повлияе на работата на електрическия инструмент. Ако е повреден, ремонтирайте инструмента преди да го използвате. Много инциденти се предизвикват от лошо поддържани електрически инструменти.
- m) Поддържайте режещите инструменти остри и чисти. Правилно поддържаните режещи инструменти с остри режещи ръбове е по-малко вероятно да бъдат захванати и се контролират по-лесно.
- n) Използвайте електрическия инструмент, аксесоарите, части и други в съответствие с тези инструкции и по начина, предвиден за конкретния тип електрически инструмент като се вземат предвид работните условия и изпълняваната работа. Използването на електрическия инструмент за операции, различни от предвидените може да доведе до опасни ситуации.

## 10) СЕРВИЗ

- a) Сервизното обслужване на електрическия инструмент трябва се извършва от квалифицирано лице като се използват само идентични резервни части. Това ще осигури поддържане на безопасността на електрическия инструмент.

## СПЕЦИФИЧНИ ИНСТРУКЦИИ ЗА БЕЗОПАСНОСТ

Внимавайте за реакцията на височкия въртящ момент при пробиване, особено когато пробивате замазка.

НЕ опитвайте да променят който и да е от превключвателите за избор, докато двигателя работи. Това може да повреди машината.

НЕ се опитвайте да промените машината или нейните аксесоари по какъвто и да е начин. НЕ насилвайте машината, оставете я да работи. Това ще намали износването на машината и режещия инструмент и ще увеличи ефективността и експлоатационния живот.

Не използвайте този продукт с каквото и да е приспособление, проектирано за смесване на мазилка, бетон или шпакловка. Или за каквито и да било други операции за смесване.

## ДОПЪЛНИТЕЛНИ ПРАВИЛА ЗА БЕЗОПАСНОСТ ЗА ПРОБИВНАТА МАШИНА

Ако е възможно, винаги използвайте скоби или менгеме, за да задържите детайла.

Винаги изключвайте преди да оставите пробивната машина.

Когато използвате пробивната машина, използвайте предпазно оборудване, включително предпазни очила или маска, антифони и защитно облекло, включително защитни ръкавици. Носете прахова маска, ако операцията по пробиване създава прах.

## ДОПЪЛНИТЕЛНИ ИНСТРУКЦИИ ЗА БЕЗОПАСНОСТ НА ЗАРЯДНОТО УСТРОЙСТВО

10. Преди да използвате зарядно устройство, прочетете всички инструкции и предупредителни бележки за зарядното устройство и батерията както и инструкциите за използване на батерията.
11. Зареждайте батериите само на закрито, тъй като зарядното устройство е предназначено само за използване на закрито.
12. **ВНИМАНИЕ!** Ако батерията е напукана или поведена по някакъв начин, не я включвайте в зарядното устройство. Има опасност от електрически удар.
13. **ВНИМАНИЕ!** Не позволявайте никаква течност да влиза в контакт със зарядното устройство. Има опасност от електрически удар.
14. Зарядното устройство и батериите, доставени с него са специално проектирани да работят заедно. Не се опитвайте да заредите батериите с друго зарядно устройство, различно от доставеното.
15. Не теглете кабела, за да изключите устройството от контакта на захранващата мрежа.
16. Не използвайте зарядното устройство, ако то е било предмет на тежък удар, изтървано е или повредено по друг начин. Занесете зарядното устройство на оторизиран сервизен център за проверка и ремонт.
17. Не разглобявайте зарядното устройство. Ако е необходимо обслужване или ремонт, занесете го в оторизиран сервиз. Неправилното сглобяване може да доведе до риск от пожар или електрически удар.
18. За да намалите риска от електрически удар, изключете зарядното устройство от захранващата мрежа преди да се опитвате да го почистите. Отстраняването само на батерията не намалява риска.

## ДОПЪЛНИТЕЛНИ ПРАВИЛА ЗА БЕЗОПАСНОСТ ЗА БАТЕРИЯТА

6. Батерията за този инструмент е доставена с нисък заряд. Преди да я използвате, трябва да я заредите напълно.
7. Не изгаряйте батерията дори ако тя е сериозно повредена или повече не може да задържа заряд. В огън, батерията може да експлодира.



e-mail: [info@valerii.com](mailto:info@valerii.com) [www.valerii.com](http://www.valerii.com)  
Сервиз: тел. 02/ 942 34 70 (национален)

Централен офис: София 1517

кв. "Сухата река" бул. "Ботевградско шосе" 44

тел.: 02/ 942 34 00, факс.: 02/ 945 4634

GSM 0889/ 444 991

Пловдив, с.Труд 4199

ул. "Строевско шосе" 3

тел./факс 032/ 953 666

GSM 0885/ 808 003

Варна 9000, кв. "Владиславово"

бул. "Атанас Москов" 13

тел.: 052/ 504 514

GSM 0885/ 808 004

София 2227, кв."Божурице"

бул. "Европа" 180, склад 33

тел.: 02/ 925 22 37

GSM 0889/ 334 692

Проверил: Р.Ч./31.10.2016г.



8. Малко изтичане на течност от батерията може да възникне при екстремни температурни условия или условия на използване. Въпреки това, ако външното уплътнение е нарушено и и тази течност влезе в контакт с вашата кожа бързо изплакнете зоната с вода и сапун. Ако течността влезе в очите ви изплакнете с чиста вода в продължение на 10 минути и незабавно потърсете медицинска помощ. Информирайте медицинския персонал, че течността е 25 - 35% разтвор на калиев хидроокис.
9. Никога не се опитвайте да отваряте батерията по каквато и да е причина. Ако пластмасовия корпус на батерията се счупи или напука, незабавно прекъснете нейното използване и не я зареждайте.
10. Не съхранявайте или не носете резервна батерия в джоб или кутия за инструменти или друго място, където тя би могла да влезе в контакт с метални предмети. Батерията може да бъде свързана на късо, което да причини повреда, изгаряне или пожар.

## ИНФОРМАЦИЯ ЗА ЗАРЕЖДАНЕ НА БАТЕРИЯТА

Нивата на зареждане за NiCad и/или Li-Ion NiCad и/или Li-Ion батерии са определят чрез времето за пълно зареждане на батерията и тока за зареждане. Трите най-често използвани скорости за зареждане, обикновено са:

Бързо зареждане

Бавно зареждане

Продължително зареждане с нисък ток.

## БЪРЗО ЗАРЕЖДАНЕ БАТЕРИИ

Скоростите на зареждане за бързо зареждани батерии могат да бъдат се колебаят между 30 минути и 90 минути. Скоростта на зареждане на батериите, доставените с безжичния електрически инструмент са посочени в ръководството на продукта.

## БАВНО ЗАРЕЖДАНЕ БАТЕРИИ

Скоростта на бавно зарежданите батерии са между 3 часа и 5 часа.

## ПРОДЪЛЖИТЕЛНО ЗАРЕЖДАНЕ БАТЕРИИ С НИСЪК ТОК

Скоростта на продължително зареждане с нисък ток са между 7 часа и 9 часа.

## ВАЖНО!

## ИНФОРМАЦИЯ ЗА ЗАРЕЖДАНЕ НА NiCAD И/ИЛИ LI-ION БАТЕРИИ

**ВИНАГИ РАЗРЕЖДАЙТЕ НАПЪЛНО NiCad и/или Li-Ion БАТЕРИИ, ПРЕДИ ДА ГИ ЗАРЕЖДАТЕ И**

**НИКОГА НЕ НАДВИШАВАЙТЕ ВРЕМЕТО ЗА ЗАРЕЖДАНЕ, ОСВЕН КОГАТО ЗАРЕЖДАТЕ НОВА БАТЕРИЯ.**

## ПРОЦЕДУРА ЗА ЗАРЕЖДАНЕ

Когато зареждате нова NiCad и/или Li-Ion батерия, тя трябва да бъде напълно разреждана, след което напълно заредена според ръководството за потребителя плюс 30 минути. След това следва пълно разреждане и следващо пълно зареждане според ръководството за потребителя плюс 30 минути. Тази процедура позволява въвеждане на батерията в експлоатационно състояние и изравнява напрежението на клетките. Следващата процедура ще осигури оптимална работа на батерията.

Когато използвате зарядното устройство за последователно зареждане на няколко батерии, винаги оставяйте устройството да се охлади преди да зареждате следваща батерия. Препоръчва се периода на охлаждане да бъде не по-малък от 30 до 45 минути.

Когато зареждате батерия, която е била разреждана при тежък режим оставете батерията да се охлади преди да я зареждате. Препоръчва се периодът на охлаждане да бъде не по-малък от 30 до 45 минути.

## ЗАРЕЖДАНЕ И ЗАРЯДНИ УСТРОЙСТВА ЗА NiCAD И/ИЛИ LI-ION БАТЕРИИ

NiCad и/или Li-Ion батерии трябва да бъдат заредени със съответната грижа, до голяма степен, защото те могат да бъдат повредени при презареждане.

Презареждането може да доведе бързо увеличаване на температурата и вътрешното налягане на батерията. Това може да доведе до разрушаване на клетките и изтичане на електролит и в изключителни случаи, когато вътрешното налягане стане изключително високо те могат дори да експлодират.

Тази ситуация може да възникне също и когато презаредена батерия е поставена в продукта и бъде използвана. За да се избегне такава екстремна ситуация, изключително важно е NiCad и/или Li-Ion батерии да бъдат напълно разреждани преди зареждане и времето за зареждане да не бъде надвишавано, освен в случаите на зареждане на нова батерия. Последователното зареждане на частично разреждани батерии може да повреди една или повече клетки.



e-mail: [info@valerii.com](mailto:info@valerii.com) [www.valerii.com](http://www.valerii.com)  
Сервиз: тел. 02/ 942 34 70 (национален)

Централен офис: София 1517

кв. "Сухата река" бул. "Ботевградско шосе" 44

тел.: 02/ 942 34 00, факс.: 02/ 945 4634

GSM 0889/ 444 991

Пловдив, с.Труд 4199

ул. "Строевско шосе" 3

тел./факс 032/ 953 666

GSM 0885/ 808 003

Варна 9000, кв. "Владиславово"

бул. "Атанас Москов" 13

тел.: 052/ 504 514

GSM 0885/ 808 004

София 2227, кв."Божурище"

бул. "Европа" 180, склад 33

тел.: 02/ 925 22 37

GSM 0889/ 334 692

Проверил: Р.Ч./31.10.2016г.



## САМОСТОЯТЕЛНО РАЗРЕЖДАНЕ

Литиевата батерия може да се разрези сама и да загуби заряда си. Обикновено тя губи приблизително 5% от заряда си през първия месец след пълно зареждане (когато се съхранява при стайна температура), и след това губи още 3% на месец. Когато се съхранява при по-високи температури, скоростта на самостоятелно разреждане се увеличава.

## ЗАРЕЖДАНЕ НА БАТЕРИЯ НА ЗАКРИТО

Това зарядно устройство е проектирано да бъде използвано на закрито. Не препоръчваме, да го използвате в дома си. Идеалните условия са да зареждате батерията на тезгях в работилница, гараж или навес. Ако операцията по зареждане ще се извършва в дома ви, той трябва да бъде добре проветрен, а зарядното устройство трябва да бъде поставено върху незапалима повърхност, като се осигури вентилационните отвори да не бъдат блокирани. Никога не надвишавайте времето за зареждане, освен когато зареждате нова батерия, тъй като това може да повреди батерията или зарядното устройство.

## ДЕПОНИРАНЕ НА БАТЕРИЯТА

Когато батерията не може да се зареди или не може да задържа заряд, нейния полезен живот е изчерпан. За да опазите природните ресурси, моля, рециклирайте или изхвърляйте батериите правилно. Тази батерия съдържа никел – кадмиеви клетки. Преди да изхвърлите, уверете се, че батерията е напълно разредена като задействате безжичния инструмент, след това отстранете батерията от корпуса на пробивната машина и покрийте крайниците за свързване с плътна лента, за да се предотврати свързване на късо и енергиен разряд, който може да причини пожар. Не се опитвайте да отваряте или отстранявате всички компоненти.

Консултирайте се с местните органи по отпадъците за информация относно възможните опции за рециклиране и/или депониране.

## СПЕЦИФИЧНИ ИНСТРУКЦИИ ЗА БЕЗОПАСНОСТ

### ЗАРЕЖДАНЕ НА БАТЕРИИТЕ

Батериите могат да имат теч или да експлодират, ако не са заредени или транспортирани правилно. Докато боравите с батерии, винаги спазвайте следващите предупреждения. Уверете се, че машината е изключена преди да отстранявате или поставяте батерии.

Не използвайте тази батерия с друг продукт.

Не се опитвайте да поставите батерията погрешно обратно.

Не свързвайте на късо или не се опитвайте да разглобите батерията.

Не излагайте батерията на пламък или изключителна топлина.

Не потапяйте или не излагайте батерията на вода.

Не съхранявайте или не транспортирайте батерията с насипни метални предмети, като свредла и приспособления за пробиване.

Батериите са предразположени към изтичане при разряд. За да се избегне повреждане на продукта, отстранете или заредете батерията, когато няма никакъв заряд. Когато не използвате устройството, съхранявайте батерията на хладно място.

След продължително използване, батерията може да се загрее. Преди да отстраните батерията, изключете машината и оставете батерията да изстине. Не използвайте батерията, ако забележите обезцветяване или нарушаване на корпуса на батерията.

### ЗАРЕЖДАНЕ НА БАТЕРИЯТА (ФИГУРА 2)

Не използвайте други зарядни устройства за батерията. Доставеното зарядно устройство е проектирано за литиево – йонните батерии на вашата машина.

Забележка: Батерията се доставя частично заредена. За да осигурите пълен капацитет на батерията, заредете напълно батерията със зарядното устройство, преди да използвате електрическия инструмент за първи път.

Литиево – йонната батерия може да бъде заредена всеки път без да се намалява нейния експлоатационен живот. Прекъсването на процедурата по зареждане не поврежда батерията.

Когато индикаторът за зареждане на батерията свети в зелено, батерията следва да бъде заредена.

Процедурата по зареждане започва веднага щом щепсела на зарядното устройство бъде включен към контакт, а крайника, включен към батерията (Фигура 2).

Индикаторът за зареждане на батерията на щепсела показва процеса на зареждане. По време на зареждане свети в червено. Когато индикаторът за зареждане светне в зелено, батерията е напълно заредена.

По време на процедурата, ръкохватката на инструмента се загрева. Това е нормално.

Пробивната машина изисква между 3 – 5 часа за пълно зареждане.

Изключете зарядното устройство от захранващата мрежа, когато не го използвате.

Забележка: Електрическият инструмент не може да бъде използван по време на процедурата за зареждане.



e-mail: [info@valerii.com](mailto:info@valerii.com) [www.valerii.com](http://www.valerii.com)  
Сервиз: тел. 02/ 942 34 70 (национален)

Централен офис: София 1517

кв. "Сухата река" бул. "Ботевградско шосе" 44

тел.: 02/ 942 34 00, факс.: 02/ 945 4634

GSM 0889/ 444 991

Пловдив, с.Труд 4199

ул. "Строевско шосе" 3

тел./факс 032/ 953 666

GSM 0885/ 808 003

Варна 9000, кв. "Владиславово"

бул. "Атанас Москов" 13

тел.: 052/ 504 514

GSM 0885/ 808 004

София 2227, кв."Божурище"

бул. "Европа" 180, склад 33

тел.: 02/ 925 22 37

GSM 0889/ 334 692

Проверил: Р.Ч./31.10.2016г.



## КОМПОНЕНТИ И КОНТРОЛИ (ФИГУРА 1)

1	Li-ion батерия	7	зарядно устройство
2	Щифт за освобождаване на батерията	8	Превключвател напред/ назад
3	Прекъсвач за задействане, включване/ изключване	9	Ръкохватка
4	Регулиране на въртящия момент		
5	Бързозатягащ патронник		
6	2 скоростен редуктор		

### КОНТРОЛ ЗА ПРОМЯНА НА СКОРОСТТА (ФИГУРА 3)

Просто упражнете лек натиск върху прекъсвача за задействане, за да стартирате пробивната машина с ниска скорост. Увеличаването на натиска ще позволи променливо увеличаване на скоростта. Винаги отстранявайте батерията преди да извършвате настройка или поддръжка.

### РАБОТА НА БЪРЗОЗАТЯГАЩ ПАТРОННИК


Бързозатягащият патронник монтиран на тази пробивна машина позволява лесно инсталиране и отстраняване на приспособленията и свредлата (Фигура 4).

Патронникът има два въртящи се пръстена (А и В). Изберете приспособлението, което ви е необходимо и го поставете в челюстите, завъртете пръстен А по посока на часовниковата стрелка докато челюстите захванат приспособлението. Със свободната си ръка хванете здраво пръстен В и завъртете пръстен А по посока на часовниковата стрелка докато той затегне приспособлението към пробивната машина. Не използвайте ненужно сила за затягане. Поставете обратно батерията и машината е готова за използване.

### НАСТРОЙКА НА ВЪРТЯЩИЯ МОМЕНТ

Тази функция позволява настройка на въртящия момент или усилване на мощността на пробивната машина и в зависимост от приложението, различни нива на мощност на задвижване. Когато използвате винтове с по-голям диаметър е необходим по-голям въртящ момент, за да се завие добре винта. Когато избраният въртящ момент бъде достигнат патронника спира да се върти (Фигура 5).

**ЗАБЕЛЕЖКА** – Винаги започвайте с по-ниска настройка.

Символът  означава най-висока стойност на настройка за въртящия момент и се използва за големи винтове.

### ПРЕВКЛЮЧВАТЕЛ ЗА ДВИЖЕНИЕ НАПРЕД И НАЗАД (ФИГУРА 6)

Тази функция се избира чрез плъзгач, разположен над прекъсвача за задействане. За да изберете посока на въртене на машината просто натиснете бутона изцяло на ляво за обратно въртене. За да смените посоката за въртене напред, натиснете бутона изцяло на дясно по отношение на ръкохватката.

### 2 СКОРОСТЕН РЕДУКТОР (ФИГУРА 7)

Тази пробивна машина се доставя с 2 скоростен редуктор, за висока и ниска скорост. За да смените между двете скорости плъзнете превключвателя, разположен отгоре на машината.

### ВНИМАНИЕ!

Машината е проектирана да работи като пробивна машина и винтоверт.

Не прикрепяйте аксесоари, различни от препоръчаните.

**ЗАБЕЛЕЖКА** – Мярка за безопасност срещу случайно задействане, докато се носи инструментът е поставяне на бутона напред/ назад в средно или неутрално положение, което прави инструмента неизползваем.

### СЪВЕТИ ЗА ИЗПОЛЗВАНЕ КАТО ВИНТОВЕРТ

- Използвайте пчелен или друг восък върху резбата на винта, за да ускорите поставянето.
- Винаги, когато е възможно, завивайте в отвори с по-малък диаметър, за да елиминирате възможността за отчупване на плоскостта от дървесни частици.



e-mail: [info@valerii.com](mailto:info@valerii.com) [www.valerii.com](http://www.valerii.com)  
Сервиз: тел. 02/ 942 34 70 (национален)

Централен офис: София 1517

кв. "Сухата река" бул. "Ботевградско шосе" 44

тел.: 02/ 942 34 00, факс.: 02/ 945 4634

GSM 0889/ 444 991

Пловдив, с.Труд 4199

ул. "Строевско шосе" 3

тел./факс 032/ 953 666

GSM 0885/ 808 003

Варна 9000, кв. "Владиславово"

бул. "Атанас Москов" 13

тел.: 052/ 504 514

GSM 0885/ 808 004

София 2227, кв."Божурище"

бул. "Европа" 180, склад 33

тел.: 02/ 925 22 37

GSM 0889/ 334 692

Проверил: Р.Ч./31.10.2016г.



## ТЕХНИЧЕСКА СПЕЦИФИКАЦИЯ

Напрежение	18 V DC
Скорост без товар	0-400 min <sup>-1</sup> 0-1500 min <sup>-1</sup>
Настройки за въртящ момент	Автоматично регулиране
Максимален въртящ момент	50 Nm
Големина на бързозатягащия патронник	13 mm
Входно напрежение на зарядното устройство	230 V – 50 HZ
Изходно напрежение на зарядното устройство	20 V DC 2000 mA
Време за зареждане	1 час

## СИМВОЛИ

На табелката на инструмента, може да са изобразени символи. Те представят важна информация за продукта или инструкциите за използване.



Носете защита за слуха.  
Носете защита за очите.  
Носете респираторна защита.



Съдържа литиеви йони



Отговаря на съответните стандарти за безопасност.



Термична връзка с работна температура



Двойна изолация за допълнителна защита.



Този продукт е подходящ за използване на закрито



Прочетете ръководството с инструкции.



Отпадъците от електрически продукти не трябва да бъде изхвърляни с битовите отпадъци. Моля, рециклирайте, в случаите в които съществуват съоръжения. Проверете при вашия местен орган или търговец на дребно за съвет за рециклиране.



Продуктът отговаря на RoHS изискванията



Общо предупреждение



e-mail: [info@valerii.com](mailto:info@valerii.com) [www.valerii.com](http://www.valerii.com)  
Сервиз: тел. 02/ 942 34 70 (национален)

Централен офис: София 1517

кв. "Сухата река" бул. "Ботевградско шосе" 44

тел.: 02/ 942 34 00, факс.: 02/ 945 4634

GSM 0889/ 444 991

Пловдив, с.Труд 4199

ул. "Строевско шосе" 3

тел./факс 032/ 953 666

GSM 0885/ 808 003

Варна 9000, кв. "Владиславово"

бул. "Атанас Москов" 13

тел.: 052/ 504 514

GSM 0885/ 808 004

София 2227, кв."Божурице"

бул. "Европа" 180, склад 33

тел.: 02/ 925 22 37

GSM 0889/ 334 692

Проверил: Р.Ч./31.10.2016г.





## ОПАЗВАНЕ НА ОКОЛНАТА СРЕДА

Информация (частни домакинства) за екологично отговорно изхвърляне на Отпадно Електрическо и Електронно Оборудване (WEEE).



Този символ върху продуктите и/ или придружаващите документи означава, че използваните електрически и електронни съоръжения и тези в края на живота си не трябва да бъдат изхвърляни с битовите отпадъци. За правилното използване, третиране, възстановяване и рециклиране, моля, отнесете продуктите до определените пунктове за събиране, където те ще бъдат безплатно приети. В противен случай, в някои страни можете да върнете продукта на вашия търговец на дребно при покупка на еквивалентен, нов продукт. Правилното изхвърляне на този продукт ще помогне да се запазят ценните ресурси и да се предотврати потенциално вредното влияние върху човешкото здраве и околната среда, което в противен случай може да възникне в следствие неправилното изхвърляне и транспорт. Моля, свържете се с местния орган за допълнителна информация за най-близкия пункт за събиране. При неправилно изхвърляне на този продукт в съответствие с националното законодателство може да има глоба.

## ЗА БИЗНЕС ПОТРЕБИТЕЛИ В ЕВРОПЕЙСКИЯ СЪЮЗ

Ако искате да изхвърлите електрическо и електронно оборудване, моля, за повече информация се свържете с вашия търговец или доставчик.

## Информация за депониране в други държави, извън Европейския Съюз.

Този символ е валиден само в Европейския съюз.

Ако искате да депонирате този продукт, моля, свържете се с местния орган или търговец и попитайте за правилния метод за депониране.

www.valerii.com



e-mail: [info@valerii.com](mailto:info@valerii.com) [www.valerii.com](http://www.valerii.com)  
Сервиз: тел. 02/ 942 34 70 (национален)

Централен офис: София 1517

кв. "Сухата река" бул. "Ботевградско шосе" 44

тел.: 02/ 942 34 00, факс.: 02/ 945 4634

GSM 0889/ 444 991

Пловдив, с.Труд 4199

ул. "Строевско шосе" 3

тел./факс 032/ 953 666

GSM 0885/ 808 003

Варна 9000, кв. "Владиславово"

бул. "Атанас Москов" 13

тел.: 052/ 504 514

GSM 0885/ 808 004

София 2227, кв."Божурище"

бул. "Европа" 180, склад 33

тел.: 02/ 925 22 37

GSM 0889/ 334 692

Проверил: Р.Ч./31.10.2016г.