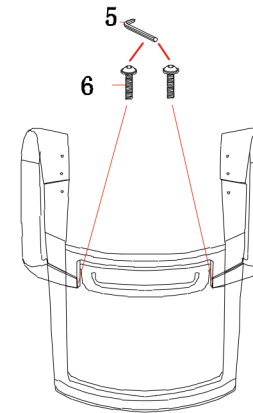
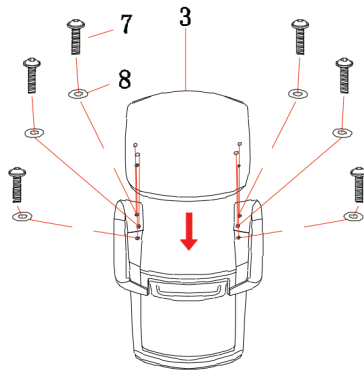


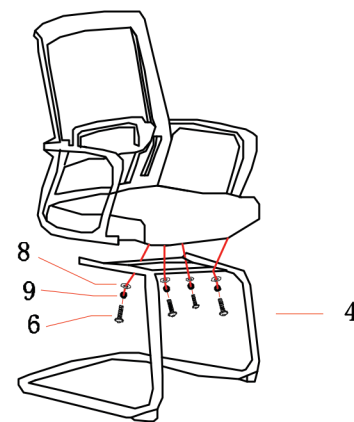
Step 1



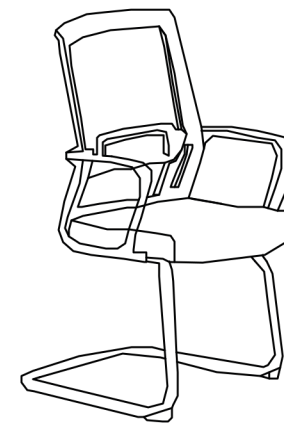
Step 2



Step 3



Step 4



Step 5

NO.	1	2	3	4	5	6	7	8	9				
SKETCH													
SIZE		Left&right				M6*20mm	M6*35mm	M6	M6				
QTY	1pcs	2pcs	1pcs	1pcs	1pcs	6pcs	6pcs	10pcs	4pcs				