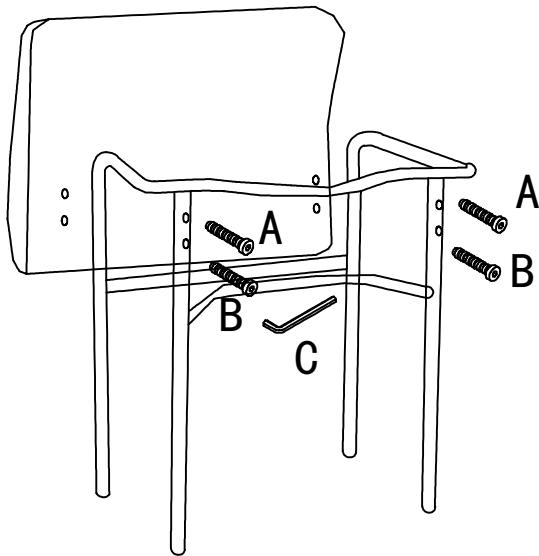
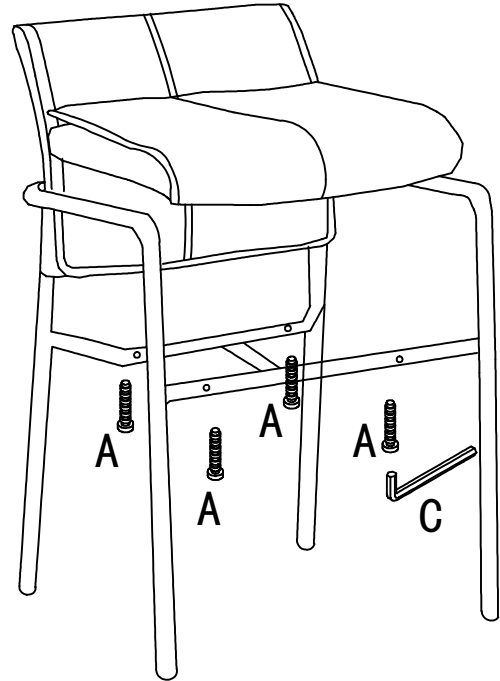


ASSEMBLY INSTRUCTION

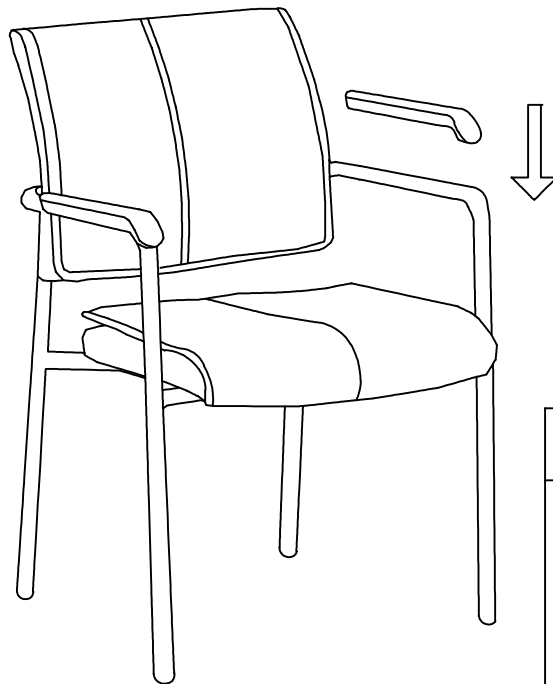
STEP 1






STEP 2



Finished



A	B	C
		
M6*40	M6*35	
X6	X2	X1