

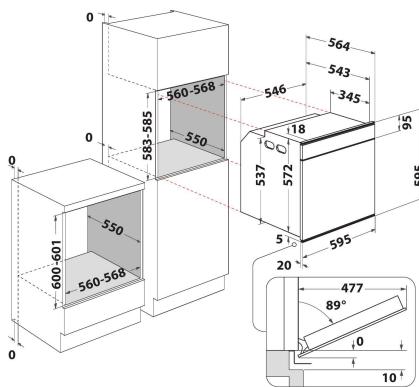
# W6 OM4 4S1 P

12NC: 859991541370

GTIN (EAN) code: 8003437834509

**Whirlpool**

SENSING THE DIFFERENCE



## MAIN FEATURES

| Product group                         | Oven         |
|---------------------------------------|--------------|
| Commercial code                       | W6 OM4 4S1 P |
| Main colour of product                | ИНОКС        |
| Construction type                     | Built-in     |
| Type of control                       | Electronic   |
| Type of control settings              | -            |
| Are any hobs controls integrated?     | No           |
| Which kind of hobs can be controlled? | -            |
| Automatic programmes                  | Yes          |
| Current (A)                           | 16           |
| Voltage (V)                           | 220-240      |
| Frequency (Hz)                        | 50/60        |
| Length of Electrical Supply Cord (cm) | 90           |
| Plug type                             | No           |
| Depth with open door 90 degree (mm)   | -            |
| Height of the product                 | 595          |
| Width of the product                  | 595          |
| Depth of the product                  | 564          |
| Minimum niche height                  | 0            |
| Minimum niche width                   | 0            |
| Niche depth                           | 0            |
| Net weight (kg)                       | 40.5         |
| Usable volume (of cavity)             | 73           |
| Integrated Cleaning system            | Pyrolytic    |
| Grids of the cavity                   | 2            |
| Trays                                 | 2            |

## TECHNICAL FEATURES

|   |                |
|---|----------------|
| Timer                                     | -              |
| Time control                              | Electronic     |
| Time-setting options                      | Start and Stop |
| Safety device                             | -              |
| Interior light                            | Yes            |
| Number of interior lights of the cavity   | 1              |
| Position of interior lights of the cavity | Rear           |
| Oven guides of the cavity                 | Telescopic     |
| Probe of the cavity                       | No             |

## ENERGY LABEL

|   |              |
|---|--------------|
| Energy input  | Electric     |
| Type of energy of the cavity  | електрически |
| Energy efficiency class - NEW (2010/30/EU)                            | A+           |
| Energy consumption per cycle conventional - NEW (2010/30/EU)          | 0.91         |
| Energy consumption per cycle forced air convection - NEW (2010/30/EU) | 0.7          |