

15" Capacitive Touch PC



- Intel® Celeron® DualCore N3350 CPU / Intel® Pentium® QuadCore N4200 CPU
- 4GB RAM memory
- 64GB faytech Industrial SSD
- Supports Win10, Linux (32Bit, 64Bit)
- Reinforced front glass, anti-glare surface treatment
- 10-Finger-Multi Touch Capacitive Touch Panel
- Patented IP65 front with silicon seal
- VESA 100 Mounting
- Integrated W-LAN
- 2 years guarantee
- 2x LAN (1x POE optional)



faytech's Capacitive PC series stands out among competition with its fanless silent operation, IP65 front panel design, high reliability and fine craftwork.

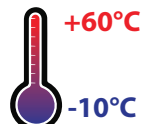
It is the perfect choice for industrial and business application. It has flat edge to edge glass with IP65 water- and dust proof front panels. The back has a sturdy aluminum case manufactured out of a continuous casting mold with stable VESA 100 fixation bolts (VESA-400 for 32" and up). The PCs offer numerous industrial and consumer connectors such as HDMI, DisplayPort, four serial ports, eight GPIOs and USB 3.0.

The heart of the Touchscreen PC is faytech's industrial Apollo Lake mainboard. It is driven by the economic Intel® Celeron® N3350 DualCore processor with up to 2.4 Ghz or the powerful Intel® Pentium® N4200 QuadCore processor with up to 2.5 GHz clock frequency. Both versions are equipped with 4GByte RAM, 64G SSD and Intel's HD Graphic chipset, supporting FullHD, DirectX 11.1 and OpenGL 4.0.

These faytech PCs are the perfect choice for a wide variety of applications including POS systems, control panels in industrial fields, in kiosk systems, office/residence automation, digital signage and in areas like shopping malls, classrooms, hotels and many more.



HDMI



Product name	15" Capacitive Touch PC
Model number / EAN number	FT15N3350W4G64GCAP
	FT15N4200W4G64GCAP

IP Rating	
IP65 Front / IP40 Back	

LCD Panel	
Screen diagonal (Inch/cm)	15/38.10
Display active screen size	30.40×22.80
Aspect ratio	4:3
Physical resolution	1024×768
External Maximum showable resolution - DP, HDMI	1920×1200
Colours displayed	16.7M
Brightness (cd/m ²)	300
Contrast	700:1
Typical reaction time Tr/ Tf (ms)	8/12
Visual Angle horizontal/vertical (°)	160/160
Backlight / Backlight Lifetime (hours)	LED / 30,000

Operation / Mechanical	
Operating Temperature (°C)	-10 ~ +60
Humidity Range (RH)	10% - 90%
Net weight (kg)	3.40
Gross weight (kg)	5.30 (incl. cartonage)
Housing material	Rubber front case, Aluminum IPC back case
Housing (cm) L × W × H	35.16 × 27.56 × 6.15
Mounting	VESA 100

Internal Connectors	
1x SO-DIMM, max. 4GB, DDR3L 1333/1600/1867 non-ECC Single channel memory	
1x 12V DC power connector (2-pin); 1x 4-pin SATA power connector	
1x Serial ATA 6Gb/s; 1x 5V/12V SATA power connector; 1x Front Panel box header	
1x LVDS box header; 1x SIM-card-Header (connected to MiniPCle)	
1x S/PDIF output pin header; 1x Line-out / Mic-in header; 1x DIO connector	
2x USB 3.0 box header; 1x 8-bit Digital I/O interface; 1x MIPI CSI connector	
3x RS232 COM connectors, (N4200: 3x RS232/RS485 switchable in BIOS)	
2x LCD Backlight control/LCD panel voltage box	

PC System	
CPU	Intel® Celeron™ DualCore N3350 / Intel® Pentium™ QuadCore N4200
Chipset	Intel® E3800
Graphic GPU	Intel® HD Graphics
Audio	Realtek ALC3236 Audio CODEC
Memory	1x 4GB DDR3L non-ECC
Storage	faytech Industrial 64GB SSD
Network	2x Realtek PCIe GB LAN 8111G (1x optional with POE); W-LAN
Driver Support	Win10; Linux; 32Bit/64Bit
Preinstalled OS	Linux Ubuntu

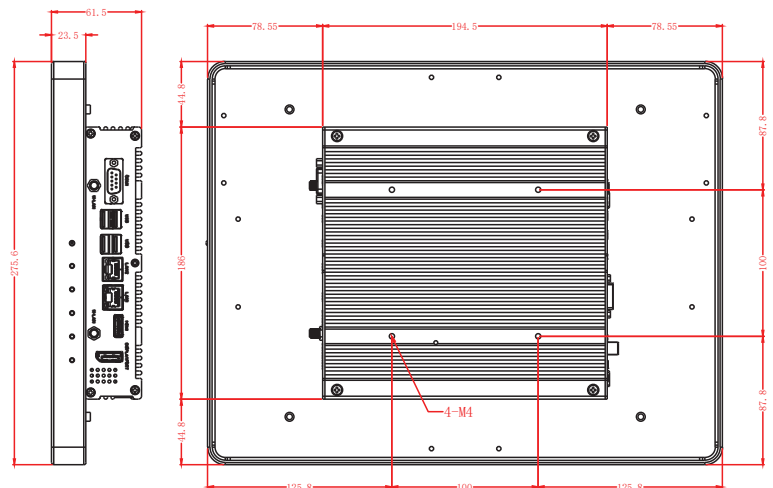
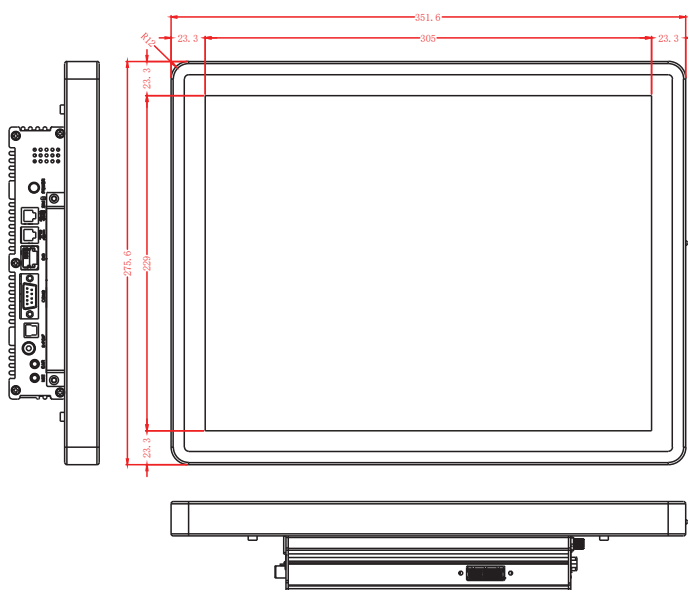
Touch Panel	
Touch Technology	Projected Capacitive 10-Point Multitouch
Touch Connector	USB
Touch Life (Contacts)	Unlimited
Surface Hardness	7H
Surface Treatment	Anti-glare (chemically etched)

Power	
Power Indicator	Green LED
Power Supply	100-240V ACDC active switching; 12V DC-Out
Working Power (V)	12
Power Consumption (W)	17
Stand-By Consumption (W)	<1

External Connectors	
1x 12V DC-In (screwable)	
1x DisplayPort	1x HDMI
1x USB 3.0	3x USB 2.0 ports
1x W-LAN connector	1x MIC-In & EAR-Out
8x In/Out GPIO as RJ45	1x LVDS
2x COM port Full-PIN - RS232; 5V/12V (N4200: RS232/485; 5V/12V)	
2x COM port 3-PIN - RX, TX, GND; RS232 (N4200: RS232/485; 5V/12V)	
2x 10/100/1000Mbit RJ45 Ports	
1x S/PDIF-Out (1x Cinch, 1x Torx module)	
1x 2.5" module slot, changeable SSD included	

Expansion slots	
1x Mini PCle + mSATA (with SIM card) (2x Full Height/Half height changeable)	
1x PCIeX1 Straddle Connector	
1x M.2 E-key for wireless device	

Included in the Delivery	
Power Supply (see Power section)	
W-LAN antenna	
Short Installation Manual	
Standard Stand	



Corporate Headquarters

faytech AG
Bischhäuser Aue 10
37213 Witzenhausen
Germany

support@faytech.com
contact@faytech.com
www.faytech.com

China: +86 755 8958 0612
Germany: +49 5542 30374 10
USA: +1 646 205 3214
India: +91 11 49707436
Japan: +070 4127 5167