

00054881
00054886
(SIRIUM2000AMBT)

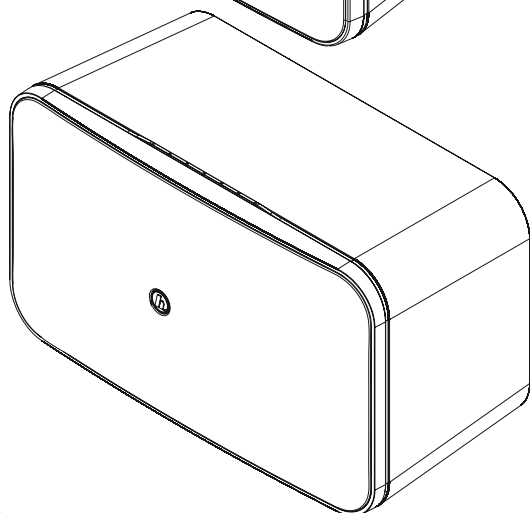
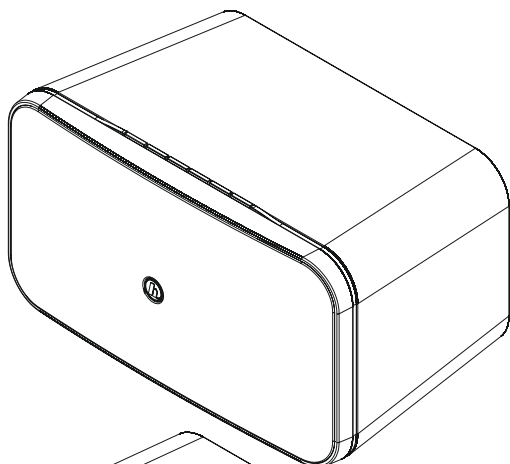
00054882
00054887
(SIRIUM2100AMBT)

hama®

THE SMART SOLUTION

"SIRIUM2000AMBT/SIRIUM2100AMBT" Smart Speaker

Smart-Speaker "SIRIUM2000AMBT/SIRIUM2100AMBT"



Quick Guide

GB

Kurzanleitung

D

Notice d'utilisation

F

Instrucciones breves

E

Краткое руководство

RUS

Istruzioni brevi

I

Beknopte bedieningsinstructies

NL

Σύντομες οδηγίες

GR

Krótką instrukcja obsługi

PL

Rövid útmutató

H

Stručný návod

CZ

Stručný návod

SK

Instruções resumidas

P

Kısa kullanım kılavuzu

TR

Instrucți uni scurte

RO

Snabbguide

S

Lyhyt ohje

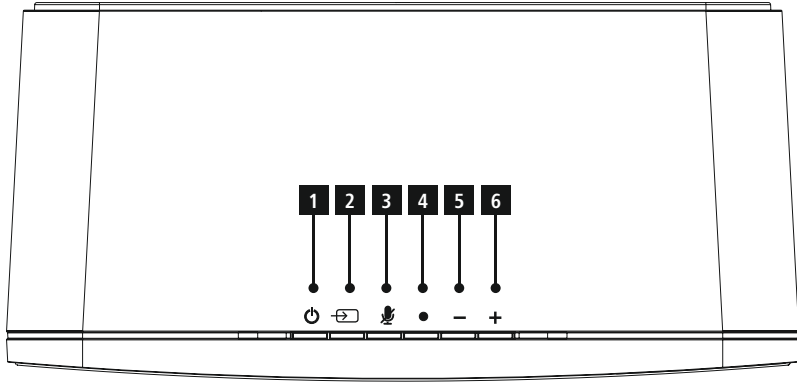
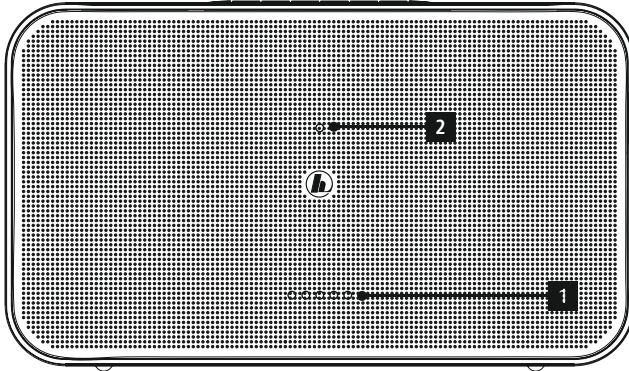
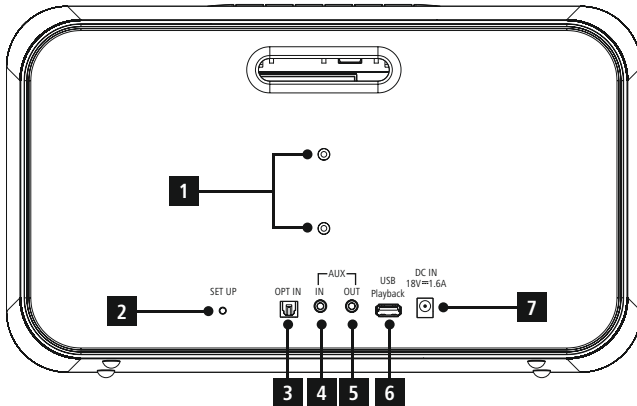
FIN

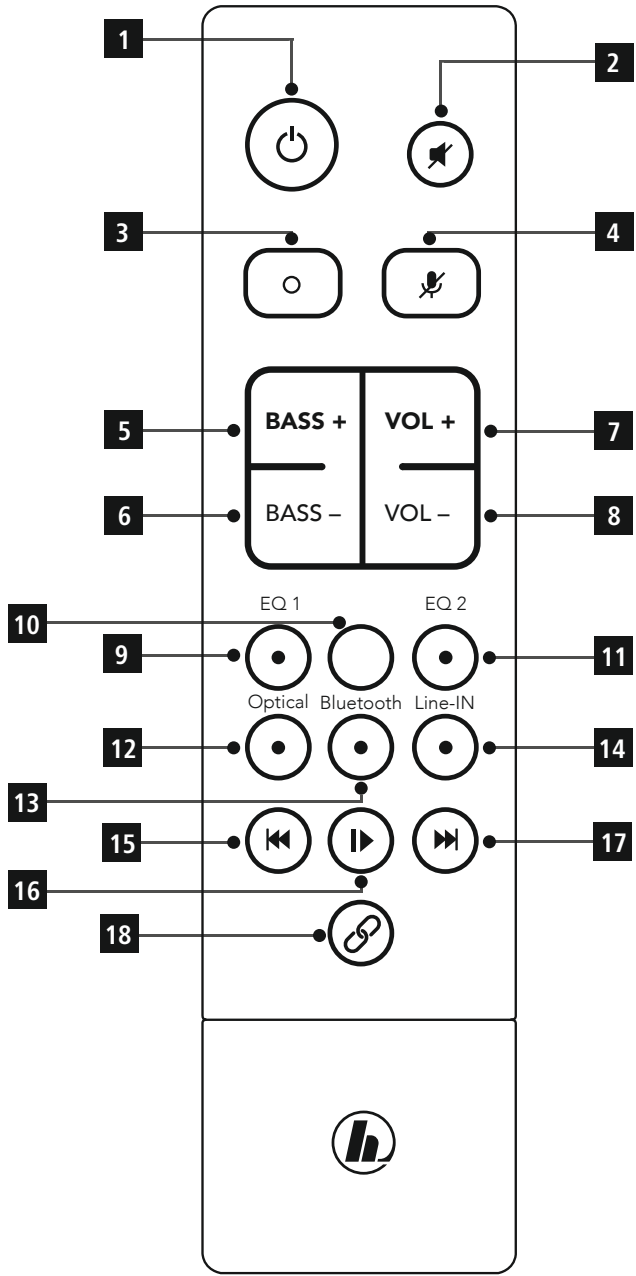
Kort vejledning

DK

Kortveiledning

N

A**B****C**



00054881/00054886 SIRIUM2000AMBT

Technical Data / Technische Daten

Alexa Voice Service Alexa Voice Service	
Voice Control Sprachsteuerung	✓
Number of Microphones Anzahl der Mikrofone	3
Microphone Array Mikrofon-Array	Far-Field

Connectivity Konnektivität	
WiFi (Standard); (Encryption, WPS) WiFi (Standard); (Verschlüsselung, WPS)	Dual Band 2.4GHz (b/g/n) & 5 GHz (a/c) MiMo 1x1 WiFi
Bluetooth (Standard)	4.1 Low Energy (BLE)
USB	Playback & Update
Digital Optical IN	✓
AUX-IN	✓
Line-Out	✓

Other Details and Specification Andere Details und Spezifikationen	
Remote Fernbedienung	Hama SRC-1805 Layout B
Batteries Batterien	2x AAA
Wall Mount Possibility Möglichkeit zur Wandaufhängung	✓
Dimensions (W x H x D) Größe (B x H x T)	27 cm x 14.5 cm x 16.5 cm
Weight Gewicht	2.2 kg

Equalizer / DSP Equalizer / DSP	
Profiles Profile	2 (Standard & My Equalizer)
Standards & Decoders Standards & Decoder	
Max. Audio Resolution (Hi-Res) Max. Tonauflösung (Hi-Res)	192 kHz / 24 bit
Supported Hi-Res Audio Codecs Unterstützte Hi-Res Audio Codecs	FLAC, ALAC
Online Update	Forced / Manual Update

Streaming Streaming	
Wifi Stream (DLNA compatible) Wifi Stream (DLNA-kompatibel)	✓
UPNP	✓

Speaker Lautsprecher	
2x Mid-Woofer	3" (7.62cm)
2x Tweeter	20mm
Amplifier Class Amplifier-Klasse	Class D (TAS5754)



Further information and features are available on/

Weitere Informationen und Features finden Sie hier

00054881: www.hama.com/54881#downloads

00054886: www.hama.com/54886#downloads

00054882/00054887 SIRIUM2100AMBT

Technical Data / Technische Daten

Alexa Voice Service Alexa Voice Service		Equalizer / DSP Equalizer / DSP	
Voice Control Sprachsteuerung	✓	Profiles Profile	2 (Standard & My Equalizer)
Number of Microphones Anzahl der Mikrofone	3	Standards & Decoders Standards & Decoder	
Microphone Array Mikrofon-Array	Far-Field	Max. Audio Resolution (Hi-Res) Max. Tonauflösung (Hi-Res)	192 kHz / 24 bit
Connectivity Konnektivität		Supported Hi-Res Audio Codecs Unterstützte Hi-Res Audio Codecs	FLAC, ALAC
WiFi (Standard); (Encryption, WPS) WiFi (Standard); (Verschlüsselung, WPS)	Dual Band 2.4GHz (b/g/n) & 5 GHz (a/c) MiMo 1x1 WiFi	Online Update	Forced / Manual Update
Bluetooth (Standard)	4.1 Low Energy (BLE)	Streaming Streaming	
USB	Playback & Update	Wifi Stream (DLNA compatible) Wifi Stream (DLNA-kompatibel)	✓
Digital Optical IN	✓	UPNP	✓
AUX-IN	✓	Speaker Lautsprecher	
Line-Out	✓	2x Mid-Woofer	4" (10.16cm)
Other Details and Specification Andere Details und Spezifikationen		2x Tweeter	20mm
Remote Fernbedienung	Hama SRC-1805 Layout B	1x Sub-Woofer	4" (10.16cm)
Batteries Batterien	2x AAA	Amplifier Class Amplifier-Klasse	Class D (TAS5754)
Wall Mount Possibility Möglichkeit zur Wandaufhängung	✓		
Dimensions (W x H x D) Größe (B x H x T)	36.5 cm x 21.5 cm x 17.5 cm		
Weight Gewicht	5.0 kg		



Further information and features are available on /

Weitere Informationen und Features finden Sie hier

00054882: www.hama.com/54882#downloads

00054887: www.hama.com/54887#downloads

Behaviour of the LED indicator

Indicator	LED	Behaviour	Description
System indicator	●●●●●	Flashes orange	The system is starting and searching for a network connection. Wait until the LEDs light up solid and the network connection has been established.
Network indicator	○○○○●	Lights up solid green	The WLAN connection has been established.
	●●●○●	LED 1 - 3 slowly flashes red , LED 5 slowly flashes green	WiFi is disconnected. Initial setup can be carried out via the Hama Smart Audio App.
	●●●○●	LED 1 - 3 quickly flashes red , LED 5 quickly flashes green	WiFi is disconnected. WPS mode is active.
Amazon Alexa voice assistant	●●●●●	Alternating quick flashes of blue and cyan	Alexa is processing and responding to a voice command. No further voice commands can be given.
	●●●○○	Lights up solid red	Mute mode is active. All microphones are muted. Alexa does not respond to the activation word.
	●●●○○	Flashes red	There is no connection with the Amazon server. Alexa is unable to accept voice commands.
Audio source indicator (If the volume is muted in this mode, the LED flashes in the relevant colour)	○○○●○	Pulses blue	The loudspeaker is in Bluetooth mode. There is no connection with a mobile device.
	○○○●○	Flashes blue	The loudspeaker is in Bluetooth pairing mode. The first connection can be established with a mobile device.
	○○○●○	Lights up solid blue	The loudspeaker is in Bluetooth mode. A connection has been successfully established with a mobile device.
	○○○●○	Lights up solid purple	The loudspeaker is in optical mode. A terminal device can be connected via the digital input.
	○○○●○	Lights up solid orange	The loudspeaker is in USB mode. An external storage medium can be connected.
	○○○●○	Lights up solid cyan	The loudspeaker is in AUX mode. A terminal device can be connected via the analogue input. Audio files can be played back via AUX In.
Volume indicator	●○○○○	Lights up white for 3 s	Volume 20%
	●●○○○	Lights up white for 3 s	Volume 40%
	●●●○○	Lights up white for 3 s	Volume 60%
	●●●●○	Lights up white for 3 s	Volume 80%
		Lights up white for 3 s	Volume 100%

Verhalten der LED-Anzeige

Indikator	LED	Verhalten	Beschreibung
System Indikator	●●●●●	blinkt orange	Das System startet und sucht nach einer Netzwerkverbindung. Warten Sie, bis die LEDs durchgehend leuchten und die Netzwerkverbindung hergestellt wurde.
Netzwerk Indikator	○○○○●	leuchtet dauerhaft grün	Die WLAN Verbindung wurde erfolgreich hergestellt.
	●●●○○	LED 1 - 3 blinkt langsam rot , LED 5 blinkt langsam grün	Es besteht keine Verbindung zum Netzwerk. Die Ersteinrichtung kann über die Hama Smart Audio App durchgeführt werden.
	●●●○○	LED 1 - 3 blinkt schnell rot , LED 5 blinkt schnell grün	Es besteht keine Verbindung zum Netzwerk. Der WPS Modus ist aktiv.
Sprachassistent Amazon Alexa	●●●●●	blinkt abwechselnd schnell blau und cyan	Alexa verarbeitet und reagiert auf einen Sprachbefehl. Es können keine weiteren Sprachbefehle erteilt werden.
	●●●○○	leuchtet dauerhaft rot	Der Mute Modus ist aktiviert. Alle Mikrophone sind stumm geschaltet. Alexa reagiert nicht auf das Aktivierungswort.
	●●●○○	blinkt rot	Es besteht keine Verbindung zum Amazon Server. Alexa nimmt keine Sprachbefehle entgegen.
Indikator Audioquelle	○○○●○	pulsiert blau	Der Lautsprecher befindet sich im Bluetooth Modus. Es besteht keine Verbindung zu einem mobilen Endgerät.
	○○○●○	blinkt blau	Der Lautsprecher befindet sich im Bluetooth Pairing Modus. Die erstmalige Verbindung zu einem mobilen Endgerät kann hergestellt werden.
	○○○●○	leuchtet dauerhaft blau	Der Lautsprecher befindet sich im Bluetooth Modus. Eine Verbindung zu einem mobilen Endgerät wurde erfolgreich hergestellt.
	○○○●○	leuchtet dauerhaft lila	Der Lautsprecher befindet sich im Optischen Modus. Ein Endgerät kann über den digitalen Eingang angeschlossen werden
	○○○●○	leuchtet dauerhaft orange	Der Lautsprecher befindet sich im USB-Modus. Ein externes Speichermedium kann angeschlossen werden.
	○○○●○	leuchtet dauerhaft cyan	Der Lautsprecher befindet sich im AUX-Modus. Ein Endgerät kann über den analogen Eingang angeschlossen werden. Audiodateien können über AUX In wiedergegeben werden.
Lautstärke Indikator	●○○○○	leuchtet weiß für 3s	Lautstärke 20%
	●●○○○	leuchtet weiß für 3s	Lautstärke 40%
	●●●○○	leuchtet weiß für 3s	Lautstärke 60%
	●●●●○	leuchtet weiß für 3s	Lautstärke 80%
	●●●●●	leuchtet weiß für 3s	Lautstärke 100%

Controls and Displays

A. Loudspeaker control panel

1. [POWER] BUTTON
2. [SOURCE] BUTTON
3. [MICROPHONE MUTE] BUTTON
4. [ACTION] BUTTON
5. [VOLUME] - BUTTON
6. [VOLUME] + BUTTON

B. Front

1. Status LED 1-5
2. Status LED update

C. Back

1. Thread for wall bracket
2. [SETUP] button
3. Optical-in socket
4. AUX-in socket
5. AUX-out socket
6. USB (playback & update)
7. Mains power supply

D. Remote control

1. Power
2. Mute loudspeaker
3. Action
4. Mute microphone
5. Bass +
6. Bass -
7. Vol +
8. Vol -
9. EQ1 (standard)
10. No function
11. EQ2 (MyEQ)
12. Optical-IN
13. Bluetooth
14. Line-IN
15. Previous
16. Play / Pause
17. Next
18. Pairing

Important note – Operating instructions:



- This is a quick guide to provide you with the most important basic information, such as safety warnings and how to get started using the product.
- For the sake of protecting the environment and saving resources, Hama dispenses with printed operating instructions and provides them only in the form of PDF files / eManuals on www.hama.com.
- Use the search function with the item number of your product to easily find the product documentation.
- Save the operating instructions to your computer's hard drive for future reference, or print it out if necessary.

1. Explanation of Warning Symbols and Notes

Risk of electric shock



This symbol indicates product parts energized with a dangerous voltage of sufficient magnitude to constitute a risk of electric shock.

Warning



This symbol is used to indicate safety instructions or to draw your attention to specific hazards and risks.

Note



This symbol is used to indicate additional information or important notes.

2. Package Contents

- "SIRIUM2000AMBT/SIRIUM2100AMBT" Hama Smart speaker
- Power supply unit
- SRC-1805-Layout B remote control
- 2 x AAA batteries
- Quick reference guide

3. Safety Notes

- The product is intended for indoor use only.
- The product is intended for private, non-commercial use only.
- Protect the product from dirt, moisture and overheating and use it in dry rooms only.
- As with all electrical devices, this device should be kept out of the reach of children.
- Do not drop the product and do not expose it to any major shocks.
- Do not operate the product outside the power limits given in the specifications.
- Keep the packaging material out of the reach of children due to the risk of suffocation.
- Dispose of packaging material immediately according to locally applicable regulations.
- Do not modify the device in any way. Doing so voids the warranty.

Risk of electric shock



- Do not open the device or continue to operate it if it becomes damaged.
- Do not use the product if the AC adapter, adapter cable or power cable is damaged.
- Do not attempt to service or repair the device yourself. Leave any service work to qualified experts.

Warning – Batteries:



- When inserting batteries, note the correct polarity (+ and - markings) and insert the batteries accordingly. Failure to do so could result in the batteries leaking or exploding.
- Do not allow children to change batteries without supervision.
- Do not mix old and new batteries or batteries of a different type or make.
- Remove the batteries from products that are not being used for an extended period
- Do not short-circuit batteries.
- Do not charge batteries.
- Do not throw batteries in a fire.
- Keep batteries out of the reach of children.
- Immediately remove and dispose of dead batteries from the product.

4. Getting started

Preparing the remote control for use

Open the cover on the battery compartment. This can be found on the back of the remote control and can be opened by sliding in the direction indicated. The extent of delivery includes two AAA batteries which must be inserted into the battery compartment for the remote control to work. When inserting the batteries, ensure that they are inserted with the correct polarity. The relevant polarity (+ / -) is marked inside the battery compartment.

Warning



- Connect the product only to a socket that has been approved for the device. The socket must be installed close to the product and must be easily accessible.
- Disconnect the product from the power supply using the on/off switch – if this is not available, unplug the power cord from the socket.
- When using a multi-socket power strip, make sure that the sum power draw of all the connected devices does not exceed its maximum throughput rating.
- If you will not be using the product for a long period of time, disconnect it from mains power.

Turning on the product

- Connect the mains lead on the loudspeaker to a properly installed socket.
- The loudspeaker switches on automatically.

Note – Turning on for the first time



- When first switched on, the loudspeaker is in "Device setup" mode and the status LEDs (1-5) pulse.
- If setup mode is not active, briefly press the [SETUP] button (2) on the back of the device to activate WPS mode (flashes rapidly). Alternatively, press and hold the [SETUP] button (2) for around 7 seconds to open an AccessPoint (flashes slowly).
- At the next switch-on, all of the status LEDs (1-5) flash orange until the connections made so far have been restored. Depending on the Internet signal strength, this may take up to 20 seconds.

Switching on / off / standby

- Press [POWER] (1) to switch on the loudspeaker. Alternatively, press [POWER] (1) on the remote control.
- Press [POWER] (1) again on the device or the remote control to switch the loudspeaker off. (Standby)

Note



- To switch the loudspeaker off completely, disconnect it from the power supply.

Volume adjustment / mute

- Press [VOLUME +/-] to reduce / increase the volume.
- Press [MUTE] (2) on the remote control to mute the loudspeaker.
- Press [MUTE] (2) again to reset the volume to the level before it was muted.

5. Setting up the loudspeaker

Note



- To be able to use the product's full range of functions, you must additionally download the Amazon Alexa app and create an Amazon account. For this purpose, follow the instructions in the Amazon Alexa app. Further information can be found at www.amazon.co.uk

5.1 Downloading the Hama Smart Audio app

Note



The following operating systems are supported:

- iOS 8 or higher
 - Android 4.4.2 or higher
-
- Open the iTunes App Store or Google Play Store on your smartphone.
 - Use the search term "Hama Smart Audio".
 - Download the app in the usual way and install it on your smartphone. To do this, follow the instructions on your smartphone.

5.2 First-time setup of the device with the Hama Smart Audio app (ALEXA function)

Note – WLAN (wireless network)



- Ensure that the router is switched on, is functioning correctly and that there is a connection to the internet.
 - Activate the WLAN function of your router.
 - Follow your router's operating instructions as regards the correct functioning of the WLAN connection.
-
- Ensure that the loudspeaker is in WLAN pairing mode. The status LEDs (1-5) flash.
 - Ensure that the Hama Smart Audio App is installed on your smartphone and that all updates have been installed.
 - Open the Hama Smart Audio app and touch [CONFIGURE].
 - Then touch [Add More Speakers].

- Open your smartphone's WLAN settings by touching [OPEN Settings].
- In your smartphone's WLAN settings, search for the Hama SIRIUM2000AMBT/SIRIUM2100AMBT loudspeaker.

Note



- The loudspeaker generates its own WLAN network bearing the name SIRIUMSetup and the first six digits of the MAC address. (e.g. SIRIUMSetup_E69EBB) This WLAN does not require a password.
-
- Connect your smartphone with the loudspeaker.
 - Now return to the Hama Smart Audio App on your smartphone.
 - Select the required WLAN name (SSID) with which you wish to connect the loudspeaker.
 - Now also enter your network key if necessary and confirm with [Save].
 - Confirm the selected settings by touching [CONFIRM].
 - The loudspeaker now connects to the network. After successful configuration, "Loudspeaker configured successfully" appears on the smartphone.
 - The LEDs go out after a few seconds.

Note



- With iOS, the App may need to be closed and restarted. Then follow the two steps below.
 - The sound bar that has been set up should now appear in the main menu. Press on the loudspeaker icon.
 - Tap [Sources] at the bottom edge of the screen to establish a connection with your Amazon account.
 - Then touch the [Amazon Alexa] button.
-
- Touch [Sign in with Amazon] to open the web browser to enter your access details.

Note



- If the Amazon Shopping App has already been installed and set up on your smartphone, the following steps are skipped.
 - Using your smartphone's keypad, enter the access details for your Amazon account and confirm your entries with Login.
 - Alternatively, tap [Create new Amazon account] to create a new Amazon account.
-
- Following successful login, you will return to the Hama Smart Audio app.
 - Now choose the language to which Alexa is to respond in future.

- Open the Amazon Alexa App and if necessary re-enter your access details. You should then find the loudspeaker in your active devices.
- Then adjust your personalised settings (time zone, device name, etc.) in the Amazon Alexa app. Further information on this can be found at www.amazon.com -> Help and Customer Service.

Note



- If the Amazon Market App has already been installed and set up on your smartphone, some smartphones will take the user data directly from the App.
- To set up a new Amazon account, log out and repeat the steps described in this section.

Note Alexa Push to talk/ Function Key



- Briefly press the [Action] button (4) on the loudspeaker to activate Alexa during audio mode or higher volume. Alternatively, press the [Action] button (3) on the remote control.
- Press the [Microphone Mute] button (3) to switch the microphone off. If the microphones are deactivated, the status LEDs (1-5) light up solid red. Alternatively, press the [Microphone Mute] button (4) on the remote control.
- The loudspeaker will now no longer respond to the activation word until the microphones are reactivated.
- Press the [Microphone Mute] button (3) again to reactivate the microphone. Alternatively, press the [Microphone Mute] button (4) on the remote control. The status LEDs (1-5) go out.

6. Bluetooth pairing

You can pair your terminal device with the speaker via Bluetooth and use the speaker as a playback device for audio signals. Playback is controlled directly via the device or the remote control. The volume can also be controlled directly on the speaker.

Note – Bluetooth®



- Check whether your mobile device (smartphone, tablet, etc.) is *Bluetooth®*-capable.
- Note that the maximum range for *Bluetooth®* is 10 metres without obstacles such as walls, people, etc.
- The *Bluetooth®* connection may be disrupted by other *Bluetooth®* devices/connections in the vicinity.
- It is only possible to connect the speaker to one terminal device.
- Note that compatibility depends on the supported *Bluetooth®* profiles as well as the *Bluetooth®* versions being used. (See Technical specifications, operating instructions of the terminal device in use)

- Ensure that your Bluetooth-enabled device is switched on and that Bluetooth is activated.
- Activate Bluetooth mode by repeatedly pressing the [SOURCE] button (2) on the loudspeaker.
- Alternatively, press [Bluetooth] (13) on the remote control.
- The Bluetooth status LED (4) starts to pulse blue.
- Press and hold the [SOURCE] button (2) for around 2 seconds to activate pairing mode. The Bluetooth status LED (4) starts to flash blue and a signal tone sounds.
- Open the Bluetooth settings on your terminal device and wait until Hama SIRIUM2000AMBT/SIRIUM2100AMBT appears in the list of Bluetooth devices found.
- If necessary, start searching for Bluetooth devices on your terminal device.
- Select the Hama SIRIUM2000AMBT/SIRIUM2100AMBT speaker in the list of available devices and wait until the speaker is shown as connected in the Bluetooth settings on your terminal device.
- The Bluetooth status LED (4) is now constantly lit blue.
- Start and control the audio playback accordingly via the device or remote control.

Note – Bluetooth® password



- Some terminal devices require a password in order to connect to another *Bluetooth®* device.
- If your terminal device requests a password for connection to the speaker, enter **0000**.

7. Connection via Optical-IN

The loudspeaker's digital audio input allows you to connect your device (e.g. TV) and play its audio signal via the loudspeaker.

Note



- Switch the loudspeaker off before connecting a device to it.
 - Before connection, remove the safety caps from both ends of the optical signal cable.
 - Do not bend or crush the cable.
- For playback via the optical audio connection, connect an optical signal cable to the optical audio input on the loudspeaker and to the optical audio output on your device, and then select Optical mode.
 - Press and hold [POWER] (1) for approximately 3 seconds to switch on the loudspeaker.
 - Activate Optical mode by repeatedly pressing the [SOURCE] button (2) on the loudspeaker.
 - The Optical status LED (4) lights up purple when Optical mode is active.
 - Alternatively, press [Optical IN] (12) on the remote control.

8. Connection via Auxiliary In / Auxiliary Out

You can connect mobile devices (such as smartphones, tablet PCs, MP3 players, etc.) and older analogue sources (CD/DVD player, etc.) to the loudspeaker via the analogue audio input and play their audio signal via the loudspeaker. Here, you have the option to connect via a 3.5 mm audio cable (jack cable).

Further loudspeakers can be connected via the analogue audio output (5), via which the audio signal is also played.

Note



- Switch the loudspeaker off before connecting a device to it.
 - Do not bend or crush the cable.
- For playback via the AUX-In socket, connect your device via the AUX-In socket (4) using a 3.5 mm audio cable (jack cable) to the loudspeaker and select AUX mode.
 - For playback via the AUX-Out socket, connect further loudspeakers / an amplifier, for example, via the AUX-Out socket (5) using a 3.5 mm audio cable (jack cable) to the loudspeaker and select AUX mode.
 - Press [POWER] (1) to switch on the loudspeaker.
 - Activate AUX mode by repeatedly pressing the [SOURCE] button (2) on the loudspeaker.
 - The status LED (4) lights up cyan when AUX mode has been selected.
 - Start and control audio playback accordingly via the connected device.
 - Alternatively, press [LINE IN] (14) on the remote control.

9. Factory reset

To reset the loudspeaker to the factory default settings (delivery condition), proceed as follows:

- Press and hold the [SETUP] (2) and [Action] (4) buttons for around 6 seconds to reset the loudspeaker to the factory default settings.
- Once the loudspeaker has been reset, it restarts.

Note



- Resetting to the factory default settings can solve some problems and malfunctions.
- However, all settings made previously, such as equaliser presets, favourites and network profiles, are permanently deleted.

10. Care and Maintenance

- Only clean this product with a slightly damp, lint-free cloth and do not use aggressive cleaning agents.
- If you do not use the product for a long time, turn off the device and disconnect it from the power supply. Store it in a clean, dry place out of direct sunlight.

11. Warranty Disclaimer

Hama GmbH & Co. KG assumes no liability and provides no warranty for damage resulting from improper installation/mounting, improper use of the product or from failure to observe the operating instructions and/or safety notes.

12. Declaration of Conformity

CE Hereby, Hama GmbH & Co KG declares that the radio equipment type [00054881, 00054882, 00054886, 00054887] is in compliance with Directive 2014/53/EU. The full text of the EU declaration of conformity is available at the following internet address: www.hama.com -> 00054881, 00054882, 00054886, 00054887 -> Downloads.

Frequency band(s)	Bluetooth: 2.402 GHz - 2.480 GHz WiFi: 2.402 GHz – 2.480 GHz WiFi: 2.412 GHz – 2.483 GHz WiFi: 5.150 GHz – 5.350 GHz WiFi: 5.470 GHz – 5.725 GHz
Maximum radio-frequency power transmitted	Bluetooth: 4 dBm (EIRP) WiFi: 2.4 GHz / 19.5 dBm (EIRP) WiFi: 5 GHz / 16.5 dBm (EIRP)

Restrictions or Requirements in

Belgium, Bulgaria, Czech Republic, Denmark, Germany, Estonia, Ireland, Greece, Spain, France, Croatia, Italy, Cyprus, Latvia, Lithuania, Luxembourg, Hungary, Malta, the Netherlands, Austria, Poland, Portugal, Romania, Slovenia, Slovakia, Finland, Sweden, United Kingdom

Note



If channels 36–64 (frequency 5.150–5.350 GHz) are used in a 5-GHz WLAN, the product may only be used in closed rooms.

Bedienungselemente und Anzeigen

A. Bedienfeld Lautsprecher

1. [POWER]-Taste
2. [SOURCE]-Taste
3. [MIKROPHON-Mute]-Taste
4. [AKTION]-Taste
5. [VOLUME] - Taste
6. [VOLUME] + Taste

B. Frontseite

1. Status-LED 1-5
2. Status LED Update

C. Rückseite

1. Gewinde für Wandhalterung
2. [SETUP]-Taste
3. Optical-In Buchse
4. AUX-In Buchse
5. AUX-Out Buchse
6. USB (Playback & Update)
7. Netzzuleitung

D. Fernbedienung

1. Power
2. Lautsprecher Mute
3. Aktion
4. Mikrofon Mute
5. Bass +
6. Bass –
7. Vol +
8. Vol –
9. EQ1 (Standard)
10. ohne Funktion
11. EQ2 (MyEQ)
12. Optical IN
13. Bluetooth
14. Line-IN
15. Previous
16. Play / Pause
17. Next
18. Pairing

Wichtiger Hinweis - Bedienungsanleitung:



- Dies ist eine Kurzanleitung, die Sie mit wichtigen Basis-Informationen, wie Sicherheitshinweisen und der Inbetriebnahme Ihres Produktes versorgt.
- Aus Gründen des Umweltschutzes und der Einsparung wertvoller Rohstoffe verzichtet die Firma Hama auf eine gedruckte Bedienungsanleitung und bietet diese ausschließlich als PDF-Download / eManual unter www.hama.com an.
- Nutzen Sie zum leichteren Auffinden die Suchfunktion und als Suchbegriff die Artikelnummer um die Produktdokumentation zu erreichen.
- Speichern Sie diese Bedienungsanleitung zum Nachschlagen auf Ihrem Computer und drucken Sie diese nach Möglichkeit aus.

1. Erklärung von Warnsymbolen und Hinweisen

Gefahr eines elektrischen Schlages



Dieses Symbol weist auf eine Berührungsfahr mit nicht isolierten Teilen des Produktes hin, die möglicherweise eine gefährliche Spannung von solcher Höhe führen, dass die Gefahr eines elektrischen Schlags besteht.

Warnung



Wird verwendet, um Sicherheitshinweise zu kennzeichnen oder um Aufmerksamkeit auf besondere Gefahren und Risiken zu lenken.

Hinweis



Wird verwendet, um zusätzlich Informationen oder wichtige Hinweise zu kennzeichnen.

2. Packungsinhalt

- Hama Smart Speaker „SIRIUM2000AMBT/SIRIUM2100AMBT“
- Netzteil
- Fernbedienung SRC-1805-Layout B
- 2x Batterien AAA
- Schnellstartanleitung

3. Sicherheitshinweise

- Das Produkt ist nur für den Gebrauch innerhalb von Gebäuden vorgesehen.
- Das Produkt ist für den privaten, nicht-gewerblichen Haushaltsgebrauch vorgesehen.
- Schützen Sie das Produkt vor Schmutz, Feuchtigkeit und Überhitzung und verwenden Sie es nur in trockenen Räumen. Dieses Produkt gehört, wie alle elektrischen Produkte, nicht in Kinderhände!
- Lassen Sie das Produkt nicht fallen und setzen Sie es keinen heftigen Erschütterungen aus.
- Betreiben Sie das Produkt nicht außerhalb seiner in den technischen Daten angegebenen Leistungsgrenzen.
- Halten Sie Kinder unbedingt von dem Verpackungsmaterial fern, es besteht Erstickungsgefahr.
- Entsorgen Sie das Verpackungsmaterial sofort gemäß den örtlich gültigen Entsorgungsvorschriften.
- Nehmen Sie keine Veränderungen am Gerät vor. Dadurch verlieren sie jegliche Gewährleistungsansprüche.

Gefahr eines elektrischen Schlages



- Öffnen Sie das Produkt nicht und betreiben Sie es bei Beschädigungen nicht weiter.
- Verwenden Sie das Produkt nicht, wenn der AC-Adapter, das Adapterkabel oder die Netzleitung beschädigt sind.
- Versuchen Sie nicht, das Produkt selbst zu warten oder zu reparieren. Überlassen Sie jegliche Wartungsarbeit dem zuständigen Fachpersonal.

Warnung - Batterien



- Beachten Sie unbedingt die korrekte Polarität (Beschriftung + und -) der Batterien und legen Sie diese entsprechend ein. Bei Nichtbeachtung besteht die Gefahr des Auslaufens oder einer Explosion der Batterien.
- Gestatten Sie Kindern nicht ohne Aufsicht das Wechseln von Batterien.
- Mischen Sie alte und neue Batterien nicht, sowie Batterien unterschiedlichen Typs oder Herstellers.
- Entfernen Sie Batterien aus Produkten, die längere Zeit nicht benutzt werden.
- Schließen Sie die Batterien nicht kurz.
- Laden Sie Batterien nicht.
- Werfen Sie Batterien nicht ins Feuer.
- Bewahren Sie Batterien außerhalb der Reichweite von Kindern auf.
- Entfernen und entsorgen Sie verbrauchte Batterien unverzüglich aus dem Produkt.

4. Inbetriebnahme

Fernbedienung in Betrieb nehmen

Öffnen Sie die Abdeckung des Batteriefachs. Diese befindet sich auf der Rückseite der Fernbedienung und kann durch schieben in die gekennzeichnete Richtung geöffnet werden. Zum Lieferumfang gehören zwei AAA-Batterien, welche Sie für die Inbetriebnahme in das Batteriefach einlegen müssen. Achten Sie beim Einlegen darauf, dass die Batterien mit der richtigen Polarität eingelegt werden. Die vorgegebene Polarität (+ / -) ist im Batteriefach gekennzeichnet.

Warnung



- Betreiben Sie das Produkt nur an einer dafür zugelassenen Steckdose. Die Steckdose muss in der Nähe des Produktes angebracht und leicht zugänglich sein.
- Trennen Sie das Produkt mittels des Ein-/Ausschalters vom Netz – wenn dieser nicht vorhanden ist, ziehen Sie die Netzleitung aus der Steckdose.
- Achten Sie bei Mehrfachsteckdosen darauf, dass die angeschlossenen Verbraucher die zulässige Gesamtleistungsaufnahme nicht überschreiten.
- Trennen Sie das Produkt vom Netz, wenn Sie es längere Zeit nicht benutzen.

Einschalten

- Verbinden Sie das Netzkabel des Lautsprechers mit einer ordnungsgemäß installierten Steckdose.
- Der Lautsprecher schaltet sich automatisch ein.

Hinweis – beim ersten Einschalten



- Beim ersten Einschalten befindet sich der Lautsprecher im Modus „Ersteinrichtung des Gerätes“ und die Status-LEDs (1-5) pulsieren.
- Sollte der Einrichtungsmodus nicht aktiv sein, drücken Sie kurz die [SETUP]-Taste (2) auf der Rückseite des Gerätes, um den WPS Modus zu aktivieren (blinkt schnell). Alternativ drücken und halten Sie die [SETUP]-Taste (2) für ca. 7 Sekunden, um einen AccessPoint zu öffnen (blinkt langsam).
- Bei erneutem Einschalten blinken alle Status LEDs (1-5) orange, bis bisher getätigte Verbindungen wieder aufgebaut sind. Dies kann je nach vorhandener Signalstärke des Internets bis zu 20 Sekunden dauern.

Einschalten/Ausschalten/Standby

- Drücken Sie [POWER] (1), um den Lautsprecher einzuschalten. Alternativ drücken Sie [POWER] (1) auf der Fernbedienung.
- Drücken Sie erneut [POWER] (1) auf dem Gerät oder der Fernbedienung, um den Lautsprecher auszuschalten. (Standby)

Hinweis



- Um den Lautsprecher vollständig auszuschalten, trennen Sie ihn von der Stromversorgung.

Lautstärke anpassen/Mute

- Drücken Sie [VOLUME +/-], um die Lautstärke zu reduzieren/erhöhen.
- Drücken Sie [MUTE] (2) auf der Fernbedienung, um den Lautsprecher stumm zu schalten.
- Drücken Sie erneut [MUTE] (2), um die Lautstärke auf den Wert vor der Stummschaltung zurückzusetzen.

5. Einrichten des Lautsprechers

Hinweis



- Um den vollen Funktionsumfang des Produktes nutzen zu können, muss zusätzlich die Amazon Alexa App heruntergeladen sowie ein Amazon Konto erstellt werden. Folgen Sie hierfür den Anweisungen in der Amazon Alexa App. Weitere Informationen hierzu finden Sie unter www.amazon.de.

5.1 Herunterladen der Hama Smart Audio App

Hinweis



Es werden folgende Betriebssysteme unterstützt:

- iOS 8 oder höher
 - Android 4.4.2 oder höher
- Öffnen Sie den iTunes AppStore oder Google Play Store auf Ihrem Smartphone.
 - Nutzen Sie den Suchbegriff "Hama Smart Audio".
 - Laden Sie die App wie gewohnt herunter und installieren Sie diese auf Ihrem Smartphone. Folgen Sie hierfür den Anweisungen Ihres Smartphones.

5.2 Ersteinrichtung des Gerätes mit der Hama Smart Audio App (ALEXA-Funktion)

Hinweis WLAN (kabelloses Netzwerk)



- Stellen Sie sicher, dass der Router eingeschaltet ist und eine Verbindung zum Internet / Netzwerk besteht.
 - Aktivieren Sie, falls noch nicht geschehen, die WLAN-Verbindung Ihres Routers.
 - Sollten Fragen zur Konfiguration des Routers auftreten, nutzen Sie bitte die Bedienungsanleitung des Routers zur Fehlersuche / Problemlösung.
- Stellen Sie sicher, dass sich der Lautsprecher im WLANPairing-Modus befindet. Die Status-LEDs (1-5) blinken.
 - Stellen Sie sicher, dass die Hama Smart Audio App auf Ihrem Smartphone installiert ist und alle Updates installiert wurden.

- Öffnen Sie die Hama Smart Audio App und berühren Sie [CONFIGURE].
- Berühren Sie anschließend [Add More Speakers].
- Öffnen Sie die WLAN-Einstellungen Ihres Smartphones durch Berühren von [OPEN Settings].
- Suchen Sie in den WLAN Einstellungen Ihres Smartphones nach dem Lautsprecher Hama SIRIUM2000AMBT/SIRIUM2100AMBT.

Hinweis



- Der Lautsprecher erzeugt ein eigenes WLAN-Netz, welches die Bezeichnung SIRIUMSetup und die ersten sechs Stellen der MAC-Adresse trägt (z.B. SIRIUMSetup_E69EBB). Dieses WLAN benötigt kein Passwort.
- Verbinden Sie Ihr Smartphone mit dem Lautsprecher.
 - Kehren Sie nun zur Hama Smart Audio App auf Ihrem Smartphone zurück.
 - Wählen Sie den gewünschten WLAN Namen (SSID) aus, mit dem Sie den Lautsprecher verbinden möchten.
 - Geben Sie nun gegebenenfalls Ihren Netzwerkschlüssel ein und bestätigen Sie mit [Save].
 - Bestätigen Sie die gewählten Einstellungen durch Berühren von [CONFIRM].
 - Der Lautsprecher verbindet sich nun mit dem Netzwerk. Nach erfolgreicher Verbindung wird „Lautsprecher erfolgreich konfiguriert“ auf dem Smartphone angezeigt.
 - Die LEDs erlöschen nach einigen Sekunden.

Hinweis



- Bei iOS kann es vorkommen, dass die App nun geschlossen wird und neu gestartet werden muss. Befolgen Sie anschließend die folgenden zwei Schritte.
 - Die eingerichtete Soundbar sollte jetzt im Hauptmenü angezeigt werden. Drücken Sie auf das Icon des Lautsprechers.
 - Berühren Sie [Quellen] am unteren Bildschirmrand, um eine Verbindung zu Ihrem Amazon Konto herzustellen.
 - Berühren Sie anschließend die Schaltfläche [Amazon Alexa].
- Berühren Sie [MELDEN SIE SICH MIT AMAZON AN], um den Webbrowser für die Eingabe Ihrer Zugangsdaten zu öffnen.

Hinweis



- Wurde die Amazon Shopping App bereits auf Ihrem Smartphone installiert und eingerichtet, werden die folgenden Schritte übersprungen.
- Geben Sie mit der Tastatur Ihres Smartphones die Zugangsdaten Ihres Amazon Kontos ein und bestätigen Sie die Eingabe mit Anmelden.
- Alternativ können Sie durch Berühren von **[Neues Amazon Konto erstellen]** ein neues Amazon Konto erstellen.

- Nach erfolgreicher Anmeldung gelangen Sie wieder zurück zur Hama Smart Audio App.
- Wählen Sie nun die Sprache aus, auf welche Alexa zukünftig reagieren soll.
- Öffnen Sie die Amazon Alexa App und geben Sie ggf. erneut Ihre Zugangsdaten ein. Sie sollten den Lautsprecher im Anschluss bei Ihren aktiven Geräten finden.
- Nehmen Sie anschließend Ihre persönlichen Einstellungen (Zeitzone, Gerätenamen, etc.) in der Amazon Alexa App vor. Weitere Informationen hierzu finden Sie unter www.amazon.de -> Hilfe und Kundenservice.

Hinweis



- Wurde die Amazon Market App bereits auf Ihrem Smartphone installiert und eingerichtet, übernehmen einige Smartphones die Benutzerdaten direkt aus der App.
- Um ein neues Amazon-Konto einzurichten, melden Sie sich ab und wiederholen Sie die in diesem Kapitel beschriebenen Schritte.

Hinweis Alexa Push to talk/ Function Key



- Drücken Sie kurz die [Aktion]-Taste (4) auf dem Lautsprecher, um Alexa während des Audiobetriebs bzw. hoher Lautstärke zu aktivieren. Alternativ drücken Sie die [Aktion]-Taste (3) auf der Fernbedienung.
- Drücken Sie die [Mikrofon Mute]-Taste (3), um die Mikrofone auszuschalten. Sind die Mikrofone deaktiviert, leuchten die Status-LEDs(1-5) dauerhaft rot. Alternativ drücken Sie die [Mikrofon Mute]-Taste (4) auf der Fernbedienung
- Der Lautsprecher reagiert nun nicht mehr auf das Aktivierungswort, bis die Mikrofone wieder aktiviert werden.
- Drücken Sie erneut die [Mikrofon Mute]-Taste (3), um die Mikrofone wieder zu aktivieren. Alternativ drücken Sie die [Mikrofon Mute]-Taste (4) auf der Fernbedienung. Die Status LEDs (1-5) erlöschen.

6. Bluetooth Erstverbindung (Pairing)

Via Bluetooth können Sie Ihre Endgeräte mit dem Lautsprecher verbinden und diesen als Wiedergabegerät für Audiosignale nutzen. Die Steuerung der Wiedergabe erfolgt dabei direkt über das Endgerät oder die Fernbedienung. Die Lautstärke lässt sich auch am Lautsprecher direkt regeln.

Hinweis – Bluetooth®



- Prüfen Sie, ob Ihr mobiles Endgerät (Smartphone, Tablet-PC, etc.) Bluetooth-fähig ist.
- Beachten Sie, dass die Reichweite von *Bluetooth®* max. 10 Meter beträgt, ohne Hindernisse wie Wände, Personen, etc.
- Es kann vorkommen, dass die Verbindung durch weitere *Bluetooth®*-Geräte/ Verbindungen in der Umgebung gestört wird.
- Der Lautsprecher kann immer nur mit einem Endgerät gekoppelt werden.
- Beachten Sie, dass die Kompatibilität von den unterstützten *Bluetooth®* Profilen sowie der verwendeten *Bluetooth®* Versionen abhängig ist. (siehe: Technische Daten, Bedienungsanleitung des verwendeten Endgeräts)

- Stellen Sie sicher, dass Ihr Bluetooth fähiges Endgerät eingeschaltet ist und dass Bluetooth aktiviert ist.
- Aktivieren Sie durch wiederholtes Drücken der [SOURCE]-Taste (2) auf dem Lautsprecher den Bluetooth Modus.
- Alternativ drücken Sie [Bluetooth] (13) auf der Fernbedienung.
- Die Status-LED Bluetooth (4) beginnt blau zu pulsieren.
- Drücken und halten Sie die [SOURCE]-Taste (2) für ca. 2 Sekunden, um den Pairing Modus zu aktivieren. Die Status LED Bluetooth (4) beginnt blau zu blinken und ein Signalton ertönt.
- Öffnen Sie die Bluetooth Einstellungen auf Ihrem Endgerät und warten Sie, bis in der Liste der gefundenen Bluetooth Geräte Hama SIRIUM2000AMBT/ SIRIUM2100AMBT angezeigt wird.
- Starten Sie ggf. die Suche nach Bluetooth Geräten auf Ihrem Endgerät.
- Wählen Sie den Lautsprecher Hama SIRIUM2000AMBT/ SIRIUM2100AMBT in der Liste der verfügbaren Geräte aus und warten Sie, bis der Lautsprecher als verbunden in den Bluetooth Einstellungen Ihres Endgerätes angezeigt wird.
- Die Status-LED Bluetooth (4) leuchtet nun dauerhaft blau.
- Starten und steuern Sie die Audiowiedergabe entsprechend über das Endgerät bzw. die Fernbedienung.

Hinweis – Bluetooth® Passwort



Manche Endgeräte benötigen für die Einrichtung der Verbindung mit einem anderen *Bluetooth®* Gerät ein Passwort.

- Geben Sie für die Verbindung mit dem Lautsprecher das Passwort **0000** ein, wenn Sie zur Eingabe von Ihrem Endgerät aufgefordert werden.

7. Verbindung über Optical IN

Über den digitalen Audioeingang des Lautsprechers können Sie Ihr Endgerät (z.B. TV Gerät) anschließen und dessen Audiosignal über den Lautsprecher wiedergeben.

Hinweis



- Schalten Sie den Lautsprecher aus, bevor Sie ein Endgerät daran anschließen.
 - Entfernen Sie vor dem Anschließen die Schutzkappen von beiden Enden des optischen Signalkabels.
 - Knicken und quetschen Sie das Kabel nicht.
-
- Für eine Wiedergabe über den optischen Audioanschluss schließen Sie ein optisches Signalkabel am optischen Audioeingang des Lautsprechers und am optischen Audioausgang Ihres Endgerätes an und wählen den Optical Modus.
 - Drücken und halten Sie [POWER] (1) für ca. 3 Sekunden, um den Lautsprecher einzuschalten.
 - Aktivieren Sie durch wiederholtes Drücken der [SOURCE]-Taste (2) auf dem Lautsprecher den Optical Modus.
 - Die Status LED Optical (4) leuchtet lila, wenn der Optical Modus aktiviert ist.
 - Alternativ drücken Sie [Optical IN] (12) auf der Fernbedienung.

8. Verbindung über Auxiliary In/Auxiliary Out

Über den analogen Audioeingang können Sie mobile Endgeräte (z.B. Smartphone, Tablet PC; MP3-Player, etc.) und ältere analoge Quellen (CD-/DVD-Player etc.) an den Lautsprecher anschließen und deren Audiosignal über den Lautsprecher wiedergeben. Hier haben Sie die Anschlussmöglichkeit über ein 3,5mm Audiokabel (Klinkenkabel).

Über den analogen Audioausgang (5) können weitere Lautsprecher angeschlossen werden, über die das Audiosignal ebenfalls wiedergegeben wird.

Hinweis



- Schalten Sie den Lautsprecher aus, bevor Sie ein Endgerät daran anschließen.
- Knicken und quetschen Sie das Kabel nicht.

- Für eine Wiedergabe über den AUX-In Anschluss verbinden Sie Ihr Endgerät über die AUX-In Buchse (4) mittels eines 3,5mm Audiokabels (Klinkenkabel) mit dem Lautsprecher und wählen den AUX-Modus.
- Für eine Wiedergabe über den AUX-Out Anschluss verbinden Sie z.B. weitere Lautsprecher/einen Verstärker über die AUX-Out Buchse (5) mittels eines 3,5mm Audiokabels (Klinkenkabel) mit dem Lautsprecher und wählen den AUX-Modus.
- Drücken Sie [POWER] (1), um den Lautsprecher einzuschalten.
- Aktivieren Sie durch wiederholtes Drücken der [SOURCE]-Taste (2) auf dem Lautsprecher den AUX-Modus.
- Die Status-LED (4) leuchtet cyan, wenn der AUX Modus gewählt wurde.
- Starten und steuern Sie die Audiowiedergabe entsprechend über das angeschlossene Endgerät.
- Alternativ drücken Sie [LINE IN] (14) auf der Fernbedienung.

9. Werkseinstellung

Um den Lautsprecher auf die Werkseinstellung (Auslieferungszustand) zurückzusetzen, gehen Sie bitte wie folgt vor:

- Drücken und halten Sie die Tasten [SETUP] (2) und [Aktion] (4) für ca. 6 Sekunden, um den Lautsprecher auf Werkseinstellungen zurückzusetzen.
- Nach erfolgreichem Zurücksetzen wird der Lautsprecher neu gestartet.

Hinweis



- Probleme und Fehlfunktionen können möglicherweise durch Rücksetzung auf die Werkseinstellungen behoben werden.
- Es werden jedoch alle Voreinstellungen wie Equalizer, Favoriten und die Netzwerkprofile unwiderruflich gelöscht.

10. Wartung und Pflege

- Reinigen Sie dieses Produkt nur mit einem fusselfreien, leicht feuchten Tuch und verwenden Sie keine aggressiven Reiniger.
- Sollten Sie das Produkt längere Zeit nicht nutzen, schalten Sie das Gerät aus und trennen es von der Stromversorgung. Lagern Sie es an einem sauberen, trockenen Ort ohne direkte Sonneneinstrahlung.

11. Haftungsausschluss

Die Hama GmbH & Co. KG übernimmt keinerlei Haftung oder Gewährleistung für Schäden, die aus unsachgemäßer Installation, Montage und unsachgemäßem Gebrauch des Produktes oder einer Nichtbeachtung der Bedienungsanleitung und/oder der Sicherheitshinweise resultieren.

12. Konformitätserklärung

CE Hiermit erklärt die Hama GmbH & Co KG, dass der Funkanlagentyp [00054881, 00054882, 00054886, 00054887] der Richtlinie 2014/53/EU entspricht. Der vollständige Text der EU-Konformitätserklärung ist unter der folgenden Internetadresse verfügbar:
www.hama.com -> 00054881, 00054882, 00054886, 00054887 -> Downloads.

Frequenzband/ Frequenzbänder	Bluetooth: 2.402 GHz - 2.480 GHz WiFi: 2.402 GHz – 2.480 GHz WiFi: 2.412 GHz – 2.483 GHz WiFi: 5.150 GHz – 5.350 GHz WiFi: 5.470 GHz – 5.725 GHz
Abgestrahlte maximale Sendeleistung	Bluetooth: 4 dBm (EIRP) WiFi: 2.4 GHz / 19.5 dBm (EIRP) WiFi: 5 GHz / 16.5 dBm (EIRP)

Beschränkungen oder Anforderungen in

Belgien, Bulgarien, Tschechische Republik, Dänemark, Deutschland, Estland, Irland, Griechenland, Spanien, Frankreich, Kroatien, Italien, Zypern, Lettland, Litauen, Luxemburg, Ungarn, Malta, Niederlande, Österreich, Polen, Portugal, Rumänien, Slowenien, Slowakei, Finnland, Schweden, Vereinigtes Königreich

Hinweis



Wenn Kanal 36-64 (Kanäle der Frequenz 5150 MHz - 5350 MHz) verwendet wird, darf das Gerät nur in geschlossenen Räumen verwendet werden.

Éléments de commande et d'affichage

A. Panneau de commande de l'enceinte

1. TOUCHE [MISE SOUS TENSION]
2. TOUCHE [SOURCE]
3. TOUCHE [COUPURE DU SON MICROPHONE]
4. TOUCHE [ACTION]
5. TOUCHE - [VOLUME]
6. TOUCHE + [VOLUME]

B. Avant

1. LED d'état 1 à 5
2. LED d'état de mise à jour

C. Arrière

1. Filetage pour support mural
2. Touche [CONFIGURATION]
3. Prise femelle Optical-In (entrée optique)
4. Prise femelle AUX-In (entrée auxiliaire)
5. Prise femelle AUX-Out (sortie auxiliaire)
6. USB (lecture et mise à jour)
7. Alimentation électrique

D. Télécommande

1. Mise sous tension
2. Coupure du son l'enceinte
3. Action
4. Coupure du son du microphone
5. Basses +
6. Basses -
7. Vol +
8. Vol -
9. EQ1 (standard)
10. Sans fonction
11. EQ2 (MyEQ)
12. Optical IN (entrée optique)
13. Bluetooth
14. Line-IN (entrée de ligne)
15. Précédent
16. Lecture/pause
17. Suivant

Remarque importante - mode d'emploi :



- Ceci est une notice d'utilisation qui vous fournit des informations de base importantes, par ex. des consignes de sécurité et des informations concernant la mise en service de votre produit.
- Pour des raisons écologiques et afin d'économiser de précieuses matières premières, l'entreprise Hama renonce à imprimer le mode d'emploi et propose de télécharger celui-ci au format PDF / eManual sur www.hama.com.
- Utilisez la fonction de recherche et saisissez le numéro de l'article souhaité pour trouver plus facilement la documentation du produit.
- Enregistrez ce mode d'emploi sur votre ordinateur pour le consulter ultérieurement et imprimez-le, dans la mesure du possible.

1. Explication des symboles d'avertissement et des remarques

Risque d'électrocution



Ce symbole indique un risque de contact avec des parties non isolées du produit susceptibles de conduire un courant électrique capable de provoquer un risque d'électrocution.

Avertissement



Ce symbole est utilisé pour indiquer des consignes de sécurité ou pour attirer votre attention sur des dangers et risques particuliers.

Remarque



Ce symbole est utilisé pour indiquer des informations supplémentaires ou des remarques importantes.

2. Contenu de l'emballage

- Enceinte intelligente Hama "SIRIUM2000AMBT/SIRIUM2100AMBT"
- Bloc secteur
- Télécommande SRC-1805-Layout B
- 2 piles AAA
- Guide démarrage rapide

3. Consignes de sécurité

- Ce produit est destiné à une utilisation exclusivement à l'intérieur d'un bâtiment.
- Ce produit est destiné à un usage domestique non commercial.
- Protégez-le de toute saleté, humidité, surchauffe et utilisez-le uniquement dans des locaux secs.
- Cet appareil, comme tout appareil électrique, doit être tenu hors de portée des enfants.
- Protégez-le des secousses violentes et évitez tout choc ou toute chute.
- N'utilisez pas le produit au delà des indications mentionnées dans les caractéristiques techniques.
- Tenez les emballages d'appareils hors de portée des enfants, risque d'étouffement.
- Recyclez les matériaux d'emballage conformément aux prescriptions locales en vigueur.
- N'apportez aucune modification à l'appareil. Des modifications vous feraient perdre vos droits de garantie.

Risque d'électrocution



- Ne tentez pas d'ouvrir l'appareil et cessez de l'utiliser en cas de détérioration.
- Cessez de l'utiliser en cas de détérioration de l'adaptateur CA, du câble adaptateur ou du câble d'alimentation.
- Ne tentez pas de réparer l'appareil vous-même ni d'effectuer des travaux d'entretien. Faites appel à des techniciens qualifiés pour effectuer tous les travaux d'entretien.

Avertissement concernant les piles



- Respectez impérativement la polarité des piles (indications + et -) lors de leur insertion dans le boîtier. Risques d'écoulement et d'explosion des piles si tel n'est pas le cas.
- Ne laissez pas des enfants remplacer les piles d'un appareil sans surveillance.
- N'utilisez pas simultanément des piles usagées et des piles neuves ou des piles de différents types.
- Retirez les piles des produits que vous ne comptez pas utiliser pendant un certain temps
- Ne court-circuitez pas les piles.
- Ne tentez pas de recharger les piles.
- Ne jetez pas de piles au feu.
- Conservez les piles hors de portée des enfants.
- Retirez les piles usagées immédiatement du produit pour les recycler.

4. Mise en service

Mise en service de la télécommande

Ouvrez le couvercle du compartiment des piles. Celui-ci se trouve à l'arrière de la télécommande et peut être ouvert en le faisant glisser dans le sens indiqué. La livraison comprend deux piles AAA que vous devez insérer dans le compartiment des piles pour la mise en service. Lors de l'insertion des piles, veillez à ce qu'elles soient insérées avec la polarité correcte. La polarité prééglée (+ / -) est indiquée dans le compartiment des piles.

Avertissement



- Branchez l'appareil à une prise de courant appropriée. La prise de courant doit être située à proximité du produit et doit être facilement accessible.
- Mettez le produit hors tension au moyen de l'interrupteur On/Off - si celui-ci n'est pas disponible, débranchez le câble d'alimentation de la prise de courant.
- En cas de prises multiples, veillez à ce que les appareils consommateurs branchés ne dépassent pas la puissance absorbée totale admissible.
- Débranchez l'appareil si vous ne l'utilisez pas sur une période prolongée.

Mise sous tension

- Raccordez le câble réseau de l'enceinte à une prise correctement installée.
- L'enceinte se met automatiquement en marche.

Remarque concernant la première mise sous tension



- Lors de la première mise en marche, l'enceinte se trouve en mode "Configuration de l'appareil" et les LED d'état (1 à 5) s'allument de manière pulsatoire.
- Si le mode de configuration n'était pas actif, appuyez brièvement sur la touche [CONFIGURATION] (2) à l'arrière de l'appareil pour activer le mode WPS (clignote rapidement). Vous pouvez aussi maintenir appuyée la touche [CONFIGURATION] (2) pendant environ 7 secondes pour ouvrir un point d'accès (clignote lentement).
- En cas de nouvelle mise sous tension, toutes les LED d'état (1 à 5) clignotent en orange jusqu'à ce que les connexions établies jusque-là soient rétablies. Cela peut prendre jusqu'à 20 secondes en fonction de l'intensité du signal Internet existant.

Mise sous tension/Mise hors tension/Veille

- Appuyez sur [MISE SOUS TENSION] (1) afin d'allumer l'enceinte. Sinon, appuyez sur [MISE SOUS TENSION] (1) sur la télécommande.
- Appuyez de nouveau sur [MISE SOUS TENSION] (1) sur l'appareil ou la télécommande pour éteindre l'enceinte. (Veille)

Remarque



- Pour éteindre complètement enceinte, débranchez-la de l'alimentation en électricité.

Réglage du volume/sourdine

- Appuyez sur [VOLUME/+] pour réduire/augmenter le volume.
- Appuyez sur la touche [🔇] (2) de la télécommande pour couper le son de l'enceinte.
- Appuyez de nouveau sur la touche [🔇] (2), afin de réinitialiser le volume à la valeur où il se trouvait avant la coupure du son.

5. Configuration de l'enceinte

Remarque



- Vous devez télécharger l'application Alexa d'Amazon et créer un compte Amazon pour pouvoir utiliser toutes les fonctions du produit. Suivez les instructions de l'application Alexa d'Amazon. Vous trouverez des renseignements supplémentaires sur www.amazon.com.

5.1 Téléchargement de l'application Smart Audio de Hama

Remarque



Le produit prend en charge les systèmes d'exploitation suivants :

- iOS 8 ou versions ultérieures
 - Android 4.4.2 ou versions ultérieures
- Ouvrez l'AppStore d'iTunes ou le Play Store de Google sur votre smartphone.
 - Utilisez le terme clé "Hama Smart Audio".
 - Téléchargez et installez l'application sur votre smartphone. Suivez les instructions de votre smartphone.

5.2 Première configuration de l'appareil avec l'application Smart Audio de Hama (fonction ALEXA)

Remarque - WiFi (réseau sans fil)



- Veuillez contrôler que le routeur est bien sous tension et qu'une connexion Internet / réseau est bien établie.
- Activez la connexion Wi-Fi de votre routeur si celle-ci n'est pas encore activée.
- Si vous avez des questions sur la configuration du routeur, veuillez utiliser le mode d'emploi du routeur pour rechercher des pannes / résoudre des problèmes.

- Assurez-vous que l'enceinte se trouve en mode WLANPairing (Couplage au réseau local sans fil). Les LED d'état (1 à 5) clignotent.

- Assurez-vous que l'application Hama Smart Audio est installée sur votre smartphone et que toutes les mises à jour ont été installées.
- Ouvrez l'application Hama Smart Audio et appuyez sur [CONFIGURER].
- Appuyez ensuite sur [Ajouter d'autres enceintes].
- Ouvrez les paramètres de réseau local sans fil de votre smartphone en appuyant sur [OUVRIR les paramètres].
- Recherchez l'enceinte SIRIUM2000AMBT/ SIRIUM2100AMBT dans les paramètres de réseau local sans fil de votre smartphone.

Remarque



- L'enceinte crée son propre réseau local sans fil qui porte le nom SIRIUMSetup associé aux six premiers chiffres de l'adresse MAC (par ex. SIRIUMSetup_E69EBB). Ce réseau local sans fil ne nécessite aucun mot de passe.
- Connectez votre smartphone et l'enceinte.
 - Revenez à présent à l'application Hama Smart Audio sur votre smartphone.
 - Sélectionnez le nom du réseau local sans fil souhaité (SSID) auquel vous voulez connecter l'enceinte.
 - Indiquez votre clé réseau, le cas échéant, et confirmez avec [Enregistrer].
 - Confirmez les paramètres souhaités en appuyant sur [CONFIRMER].
 - L'enceinte se connecte alors au réseau. Une fois la connexion établie, le message "Enceinte configurée avec succès" apparaît sur le smartphone.
 - Les LED s'éteignent après quelques secondes.

Remarque



- Sur les appareils iOS, il se peut que l'application soit à présent fermée et qu'il soit nécessaire de la redémarrer. Suivez ensuite les deux étapes ci-après.
 - La barre de son configurée doit maintenant apparaître dans le menu principal. Appuyez sur l'icône de l'enceinte.
 - Appuyez sur [Sources] en bas de l'écran afin de créer un lien avec votre compte Amazon.
 - Appuyez ensuite sur le bouton [Amazon Alexa].
- Appuyez sur [Se connecter à Amazon] afin d'ouvrir le navigateur Web pour saisir de vos identifiants.

Remarque



- Si l'application Amazon Shopping a déjà été installée et configurée sur votre smartphone, les étapes suivantes sont ignorées.
- Avec le clavier de votre smartphone, indiquez les identifiants de votre compte Amazon et confirmez la saisie avec **Se connecter**.
- Vous pouvez également créer un nouveau compte Amazon en appuyant sur **[Créer un nouveau compte Amazon]**.

- Une fois la connexion établie, vous êtes redirigé(e) vers l'application Hama Smart Audio.
- Sélectionnez à présent une langue à laquelle Alexa devra réagir à l'avenir.
- Ouvrez l'application Amazon Alexa et saisissez, le cas échéant, de nouveau vos identifiants. Vous devriez ensuite trouver l'enceinte sur vos appareils actifs.
- Effectuez ensuite vos propres réglages (fuseau horaire, nom de l'appareil, etc.) dans l'application Amazon Alexa. Vous trouverez des informations complémentaires à l'adresse www.amazon.de -> Aide et service client.

Remarque



- Si l'application Amazon Market a déjà été installée et configurée sur votre smartphone, certains smartphones reprennent les données utilisateur directement depuis cette application.
- Afin de configurer un nouveau compte Amazon, connectez-vous et répétez les étapes décrites dans ce chapitre.

Remarque Alexa Push to talk/ Fonction Key



- Appuyez brièvement sur la touche [Action] (4) de l'enceinte afin d'activer Alexa pendant le fonctionnement audio ou pour augmenter le volume. Vous pouvez également appuyer sur la touche [Action] (3) de la télécommande.
- Appuyez sur la touche [Coupure du son microphone] (3) afin de désactiver le microphone. Si les microphones sont désactivés, les LED d'état (1 à 5) restent allumées en rouge. Vous pouvez également appuyer sur la touche [Coupure du son microphone] (4) de la télécommande.
- L'enceinte ne réagit alors plus au mot déclenchant son activation jusqu'à ce que les microphones soient de nouveau actifs.
- Appuyez de nouveau sur la touche [Coupure du son microphone] (3) afin d'activer de nouveau le microphone. Vous pouvez également appuyer sur la touche [Coupure du son microphone] (4) de la télécommande. Les LED d'état (1 à 5) s'éteignent.

6. Première connexion Bluetooth (couplage)

Vous pouvez connecter vos appareils au haut-parleur via Bluetooth et utiliser le haut-parleur comme appareil de lecture audio. La commande de la lecture s'effectue directement sur l'appareil ou la télécommande. Vous pouvez également régler le volume directement sur le haut-parleur.

Remarque – Bluetooth®



- Veuillez contrôler que votre appareil portable (téléphone portable, etc.) est bien compatible *Bluetooth®*.
- Veuillez noter que la portée maximale de la connexion *Bluetooth®* est de 10 mètres sans obstacles tels que parois, personnes, etc.
- Il est possible que la connexion soit gênée par d'autres appareils/ d'autres connexions *Bluetooth®* dans votre environnement.
- Le haut-parleur ne peut être couplé qu'à un seul appareil à la fois.
- Veuillez noter que la compatibilité dépend des profils *Bluetooth®* supportés et des versions *Bluetooth®* utilisées. (voir: Caractéristiques techniques, mode d'emploi de l'appareil utilisé)

- Assurez-vous que votre appareil compatible Bluetooth soit allumé et que le Bluetooth soit activé.
- Activez le mode Bluetooth en appuyant de nouveau sur la touche [SOURCE] (2) de l'enceinte.
- Sinon, appuyez sur [Bluetooth] (13) sur la télécommande.
- La LED d'état Bluetooth (4) commence à s'allumer en bleu de façon pulsatoire.
- Appuyez sur [SOURCE] et maintenez la pression sur la touche pendant environ 2 secondes afin d'activer le mode Pairing (Couplage). La LED d'état Bluetooth (4) commence à clignoter en bleu et un signal sonore retentit.
- Ouvrez les paramètres Bluetooth sur votre appareil, puis patientez jusqu'à ce que Hama SIRIUM2000AMBT/SIRIUM2100AMBT apparaisse dans la liste des appareils Bluetooth détectés.
- Le cas échéant, lancez une recherche d'appareils Bluetooth sur votre appareil.
- Sélectionnez Hama SIRIUM2000AMBT/SIRIUM2100AMBT dans la liste des appareils disponibles, puis patientez jusqu'à ce que le haut-parleur apparaisse en tant que connecté dans les réglages Bluetooth de votre appareil.
- La LED d'état Bluetooth (4) reste alors allumée en bleu.
- Démarrez et commandez la lecture audio via l'appareil ou la télécommande.

Remarque – Mot de passe Bluetooth®



Certains appareils requièrent un mot de passe pour l'établissement de la connexion avec un appareil Bluetooth®.

- Saisissez le mot de passe **0000** lors de la connexion avec des radio dans le cas où l'appareil exige la saisie d'un mot de passe.

7. Connexion via Optical IN

L'entrée audio numérique de l'enceinte permet de raccorder votre appareil (par ex. téléviseur) et d'écouter son signal audio via l'enceinte.

Remarque



- Éteignez votre enceinte avant d'y raccorder un appareil.
- Avant tout raccordement, retirez les capuchons de protection situés aux deux extrémités du câble optique.
- Ne pliez pas et n'écrasez pas le câble.
- Pour une transmission via le port audio optique, raccordez un câble optique à l'entrée audio optique de l'enceinte et à la sortie audio optique de votre appareil, puis choisissez le mode Optical (Optique).
- Appuyez sur [MISE SOUS TENSION] (1) et maintenez la pression sur la touche pendant environ 3 secondes afin d'allumer l'enceinte.
- Activez le mode Optical (Optique) en appuyant de nouveau sur la touche [SOURCE] (2) de l'enceinte.
- La LED d'état Optical (4) s'allume en lilas lorsque le mode Optical (Optique) est sélectionné.
- Sinon, appuyez sur [Optical IN] (12) sur la télécommande.

8. Connexion via une entrée/sortie auxiliaire

Vous pouvez connecter des appareils mobiles (par ex. smartphone, tablette, lecteur MP3, etc.) et des sources analogiques plus anciennes (lecteur CD/DVD, etc.) à l'enceinte via l'entrée audio analogique et diffuser leur signal audio via l'enceinte. Vous pouvez ici utiliser un câble audio de 3,5 mm (câble jack).

Via la sortie audio analogique (5), vous pouvez, par exemple, raccorder d'autres enceintes à l'appareil et diffuser également le signal audio via ces autres enceintes.

Remarque



- Éteignez votre enceinte avant d'y raccorder un appareil.
- Ne pliez pas et n'écrasez pas le câble.
- Pour une transmission via l'entrée auxiliaire AUX-In, raccordez votre appareil à l'enceinte via la prise femelle AUX-In (4) au moyen d'un câble audio de 3,5 mm (câble jack) et choisissez le mode AUX.

- Pour une transmission via la sortie auxiliaire AUX-Out, raccordez par exemple d'autres enceintes/un amplificateur à l'enceinte via la prise femelle AUX Out (5) au moyen d'un câble audio de 3,5 mm (câble jack) et choisissez le mode AUX.
- Appuyez sur [MISE SOUS TENSION] (1) afin d'allumer l'enceinte.
- Activez le mode AUX en appuyant de nouveau sur la touche [SOURCE] (2) de l'enceinte.
- La LED d'état (4) s'allume en cyan lorsque le mode AUX a été sélectionné.
- Démarrez et commandez la lecture audio via l'appareil connecté.
- Sinon, appuyez sur [LINE IN] (14) sur la télécommande.

9. Paramètres par défaut

Pour rétablir les paramètres par défaut de l'enceinte (état de livraison), procédez comme suit :

- Appuyez sur les touches [CONFIGURATION] (2) et [Action] (4) et maintenez la pression pendant environ 6 secondes afin de rétablir les paramètres par défaut de l'enceinte.
- Une fois la réinitialisation réussie, l'enceinte est redémarrée.

Remarque



- Les problèmes et les dysfonctionnements peuvent éventuellement être réparés avec le rétablissement des paramètres par défaut.
- Tous les préréglages, comme l'égaliseur, les favoris et les profils réseaux, sont cependant irrévocablement supprimés.


10. Nettoyage et entretien

- Nettoyez ce produit uniquement à l'aide d'un chiffon non pelucheux légèrement humide ; évitez tout détergent agressif.
- Débranchez l'adaptateur CA de la source de courant si vous ne comptez pas utiliser l'appareil pendant un certain temps. Entrez-le dans un local sec, propre et protégé des rayons directs du soleil.

11. Exclusion de garantie

La société Hama GmbH & Co. KG décline toute responsabilité en cas de dommages provoqués par une installation, un montage ou une utilisation non conformes du produit ou encore provoqués par un non respect des consignes du mode d'emploi et/ou des consignes de sécurité.

12. Déclaration de conformité

 Le soussigné, Hama GmbH & Co KG, déclare que l'équipement radioélectrique du type [00054881, 00054882, 00054886, 00054887] est conforme à la directive 2014/53/UE. Le texte complet de la déclaration UE de conformité est disponible à l'adresse internet suivante: www.hama.com -> 00054881, 00054882, 00054886, 00054887 -> Downloads.

Bandes de fréquences	Bluetooth: 2.402 GHz - 2.480 GHz WiFi: 2.402 GHz – 2.480 GHz WiFi: 2.412 GHz – 2.483 GHz WiFi: 5.150 GHz – 5.350 GHz WiFi: 5.470 GHz – 5.725 GHz
Puissance de radiofréquence maximale	Bluetooth: 4 dBm (EIRP) WiFi: 2.4 GHz / 19.5 dBm (EIRP) WiFi: 5 GHz / 16.5 dBm (EIRP)

Restrictions ou exigences en

Belgique, Bulgarie, République tchèque, Danemark, Allemagne, Estonie, Irlande, Grèce, Espagne, France, Croatie, Italie, Chypre, Lettonie, Lituanie, Luxembourg, Hongrie, Malte, Pays-Bas, Autriche, Pologne, Portugal, Roumanie, Slovénie, Slovaquie, Finlande, Suède, Royaume-Uni

Remarque



Si les canaux 36-64 (fréquence 5,150GHz – 5,350GHz) sont employés dans le réseau Wi-Fi 5GHz, ce produit ne doit être utilisé que dans des espaces fermés.

Elementos de manejo e indicadores

A. Panel de control del altavoz

1. BOTÓN DE [ENCENDIDO]
2. BOTÓN DE [FUENTE]
3. BOTÓN DE [SILENCIO DE MICRÓFONO]
4. BOTÓN DE [ACCIÓN]
5. BOTÓN DE [VOLUMEN] -
6. BOTÓN DE [VOLUMEN] +

B. Parte delantera

1. Led de estado 1-5
2. Led de estado de actualizaciones

C. Parte trasera

1. Rosca para soporte mural
2. Botón de [CONFIGURACIÓN]
3. Toma de entrada óptica
4. Toma de entrada auxiliar
5. Toma de salida auxiliar
6. USB (para reproducción y actualizaciones)
7. Cable de corriente

D. Mando a distancia

1. Encendido
2. Silencio de altavoz
3. Acción
4. Silencio de micrófono
5. Graves +
6. Graves -
7. Vol. +
8. Vol. -
9. Ecualizador EQ1 (estándar)
10. sin función
11. Ecualizador EQ2 (MyEQ)
12. Entrada óptica
13. Bluetooth
14. Entrada de línea
15. Anterior
16. Reproducción/Pausa
17. Siguiente
18. Emparejamiento

Nota importante - Instrucciones de manejo:



- Éstas son unas instrucciones breves que le facilitan las informaciones básicas importantes, como las indicaciones de seguridad y la puesta en funcionamiento de su producto.
- Por motivos de protección medioambiental y para ahorrar valiosas materias primas, la empresa Hama prescinde de instrucciones de manejo impresas y ofrece éstas únicamente como descarga de PDF / eManual en www.hama.com.
- Para encontrarlas con más facilidad, utilice la función de búsqueda e introduzca como término de búsqueda el número de artículo para llegar a la documentación del producto.
- De forma alternativa, puede acceder a las instrucciones de manejo con el siguiente código QR.
- Guarde estas instrucciones de manejo en su ordenador para fines de consulta e imprímalas de ser posible.

1. Explicación de los símbolos de aviso y de las indicaciones

Peligro de sufrir una descarga eléctrica



Este símbolo hace referencia al peligro de contacto con partes no aisladas del producto que pueden conducir una tensión peligrosa de una intensidad tal que puede provocar una descarga eléctrica.

Aviso



Se utiliza para caracterizar las indicaciones de seguridad o para llamar la atención sobre peligros y riesgos especiales.

Nota



Se utiliza para caracterizar informaciones adicionales o indicaciones importantes.

2. Contenido del paquete

- Altavoz inteligente Hama "SIRIUM2000AMBT/SIRIUM2100AMBT"
- Fuente de alimentación
- Mando a distancia SRC-1805-Layout B
- 2x pilas AAA
- Guía de inicio rápido

3. Instrucciones de seguridad

- El producto está diseñado sólo para el uso dentro de edificios.
- El producto es para el uso doméstico privado, no comercial.
- Proteja el producto de la suciedad, la humedad, el calor excesivo y utilícelo sólo en recintos secos.
- Este producto, como todos los productos eléctricos, no debe estar en manos de los niños.
- No deje caer el producto ni lo someta a sacudidas fuertes.
- No opere el producto fuera de los límites de potencia indicados en los datos técnicos.
- Mantenga el material de embalaje fuera del alcance de los niños, existe peligro de asfixia.
- Deseche el material de embalaje en conformidad con las disposiciones locales sobre el desecho vigentes.
- No realice cambios en el aparato. Esto conllevaría la pérdida de todos los derechos de la garantía.

Peligro de sufrir una descarga eléctrica



- No abra el producto y no lo siga operando de presentar deterioros.
- No utilice el producto si el adaptador de AC, el adaptador del cable o el cable eléctrico están dañados.
- No intente mantener o reparar el producto por cuenta propia. - Encomiende cualquier trabajo de mantenimiento al personal especializado competente.

Aviso – Pilas



- Respete siempre la polaridad correcta (símbolos + y -) de las pilas y colóquelas como corresponda. La no observación de lo anterior conlleva el riesgo de derrame o explosión de las pilas.
- No permita a los niños cambiar las pilas sin la supervisión de una persona adulta.
- No mezcle pilas viejas y nuevas, ni tampoco pilas de tipos o fabricantes diferentes.
- Saque las pilas de los productos que no se vayan a utilizar durante un periodo prolongado de tiempo.
- No cortocircuite las pilas.
- No cargue las pilas.
- No arroje las pilas al fuego.
- Mantenga las pilas fuera del alcance de los niños.
- Retire y deseche de inmediato las pilas gastadas del producto.

4. Puesta en funcionamiento

Puesta en funcionamiento del mando a distancia

Abra la cubierta del compartimento de las pilas. La cubierta está ubicada en la parte trasera del mando a distancia y puede abrirse deslizándola en la dirección indicada. En el volumen de suministro se incluyen dos pilas AAA, que deberá colocar en el compartimento de las pilas para poner el mando en funcionamiento. Al colocarlas, asegúrese de que la polaridad sea correcta (la polaridad [+/-] está indicada en el interior del compartimento de las pilas).

Aviso



- Utilice el producto sólo en una toma de corriente autorizada. La toma de corriente debe estar colocada cerca del producto y de forma accesible.
- Desconecte el producto de la red eléctrica mediante el interruptor on/off; de no existir éste, desenchufe el cable eléctrico de la toma de corriente.
- En caso de tomas de corriente múltiples, asegúrese de que los consumidores conectados no sobrepasan el consumo total de potencia admisible.
- Desconecte el producto de la red si no va a emplearse durante un tiempo prolongado.

Encender

- Conecte el cable de alimentación del altavoz a una toma de corriente que esté instalada correctamente.
- El altavoz se encenderá automáticamente.

Nota – Al encender por primera vez



- Cuando se enciende por primera vez, el altavoz se encuentra en el modo "Configuración inicial del dispositivo", y los ledes de estado (1-5) parpadean lentamente.
- Si no estuviera activado el modo de configuración inicial, pulse brevemente el botón de [CONFIGURACIÓN] (2), que está ubicado en la parte trasera del dispositivo, para activar el modo WPS (parpadeo rápido). También puede pulsar el botón de [CONFIGURACIÓN] (2) y mantenerlo presionado durante unos 7 segundos para abrir un punto de acceso (parpadeo lento).
- Al volver a encenderlo, todos los ledes de estado (1-5) parpadean en color naranja hasta que se restablecen las conexiones accionadas; en función de la intensidad de la señal de Internet, ello puede durar hasta 20 segundos.

Encendido, apagado y modo standby

- Pulse el botón de [ENCENDIDO] (1) para encender el altavoz. También puede pulsar el botón de [ENCENDIDO] (1) del mando a distancia.
- Vuelva a pulsar el botón de [ENCENDIDO] (1) del dispositivo o del mando a distancia para apagar el altavoz. (Standby)

Nota



- Para apagar el altavoz por completo, desconéctelo de la alimentación de corriente.

Silenciar o regular el volumen

- Pulse el botón de [VOLUMEN +/-] para subir o bajar el volumen.
- Pulse [🔇] (2) del mando a distancia para silenciar el altavoz.
- Vuelva a pulsar [🔊] (2) para restablecer el volumen al valor aplicado previo al silenciado.

5. Configuración del altavoz

Nota



- Para poder hacer uso de todo el alcance funcional del producto, se debe descargar además la app Amazon Alexa y se debe crear una cuenta en Amazon. Para hacerlo, siga las instrucciones de la app Amazon Alexa. Encontrará más información en www.amazon.com.

5.1 Descargar la app Hama Smart Audio

Nota



Se soportan los siguientes sistemas operativos:

- iOS 8 o superior
 - Android 4.4.2 o superior
- Abra iTunes App Store o Google Play Store en su smartphone.
 - Utilice el término de búsqueda "Hama Smart Audio".
 - Descargue la app normalmente e instálela en su smartphone. Siga las instrucciones de su smartphone.

5.2 Primera configuración del dispositivo con la app Hama Smart Audio (función ALEXA)

Nota - WLAN (red inalámbrica)



- Asegúrese de que el router está encendido y de que se ha establecido una conexión a Internet/a la red.
 - Si no lo ha hecho todavía, active la conexión WLAN de su router.
 - Si surgieran preguntas sobre la configuración del router, emplee las instrucciones de uso del router para detectar el fallo/solucionar el problema.
- Asegúrese de que el altavoz se encuentre en el modo de emparejamiento por WLAN. Los ledes de estado (1-5) deberán parpadear.
 - Asegúrese de que la aplicación Hama Smart Audio esté instalada en su smartphone y de que se hayan instalado todas las actualizaciones.
 - Abra la aplicación Hama Smart Audio; a continuación, pulse sobre [CONFIGURE].
 - Pulse sobre [Add More Speakers].

- Abra la configuración de WLAN de su smartphone; para ello, pulse sobre [OPEN Settings].
- En la configuración de WLAN de su smartphone, busque el altavoz Hama SIRIUM2000AMBT/SIRIUM2100AMBT.

Nota



- El altavoz generará su propia red WLAN, cuya denominación está compuesta por el nombre "SIRIUMSetup" y las seis primeras cifras o caracteres de la dirección MAC (por ejemplo, SIRIUMSetup_E69EBB). Esta red WLAN no requiere contraseña.
- Conecte su smartphone al altavoz.
- Vuelva ahora a la aplicación Hama Smart Audio desde su smartphone.
- Elija el nombre (SSID) para la red WLAN con la que quiera conectarse al altavoz.
- Si procede, introduzca su clave de red y confirme con [Save].
- Confirme la configuración elegida pulsando sobre [CONFIRM].
- El altavoz se conectará a la red. Una vez se haya establecido la conexión, en su smartphone se mostrará el mensaje "El altavoz se ha configurado correctamente".
- Los ledes se apagaran transcurridos unos segundos.

Nota



- En sistemas operativos iOS, puede ser necesario cerrar la aplicación y reiniciarla. A continuación, siga los siguientes dos pasos.
- La barra de sonido configurada debería mostrarse ahora en el menú principal. Pulse el icono del altavoz.
- Pulse el botón de [FUENTE], ubicado en el borde inferior de la pantalla, para establecer una vinculación con su cuenta de Amazon.
- A continuación, pulse el botón [Amazon Alexa].

- Pulse sobre [Sign in with Amazon] para abrir el navegador web, desde el que introducirá sus datos de acceso.

Nota



- Si ya tiene instalada y configurada la aplicación Amazon Compras en su smartphone, ignore los siguientes puntos.
- Utilice el teclado de su smartphone para introducir los datos de acceso de su cuenta de Amazon y confirme los datos introducidos pulsando "Iniciar sesión".
- También puede pulsar [Crea tu cuenta de Amazon] para crear una nueva cuenta de Amazon.

- Tras iniciar sesión correctamente, usted volverá a la aplicación Hama Smart Audio.
- Seleccione el idioma ante el que Alexa deberá reaccionar.
- Abra la aplicación Amazon Alexa y, si procede, vuelva a introducir sus datos de acceso. Debería encontrar el altavoz vinculado a sus dispositivos activos.
- A continuación, aplique su configuración personal (zona horaria, nombre del dispositivo, etc.) en la aplicación Amazon Alexa. Encontrará más información a este respecto en www.amazon.de -> Ayuda y servicio de atención al cliente.

Nota

- Si ya tiene instalada y configurada la aplicación Amazon Compras en su smartphone, algunos smartphones toman los datos de usuario directamente de la aplicación.
- Para configurar una nueva cuenta de Amazon, cierre sesión y repita los pasos descritos en este apartado.

Nota Alexa Push to talk/ Function Key

- Pulse brevemente el botón de [Acción] (4) del altavoz para activar Alexa mientras se está reproduciendo audio o el volumen está alto. También puede pulsar el botón de [Acción] (3) del mando a distancia.
- Pulse el botón de [Silencio de micrófono] (3) para desconectar los micrófonos. Si los micrófonos están desactivados, los ledes de estado (1-5) se iluminarán de manera permanente en color rojo. También puede pulsar el botón de [Silencio de micrófono] (4) del mando a distancia.
- El altavoz dejará de reaccionar a la palabra de activación hasta que vuelvan a activarse los micrófonos.
- Vuelva a pulsar el botón de [Silencio de micrófono] (3) para volver a activar el micrófono. También puede pulsar el botón de [Silencio de micrófono] (4) del mando a distancia. Los ledes de estado (1-5) se apagarán.

6. Conexión inicial Bluetooth (sincronización)

Puede conectar sus terminales al altavoz vía Bluetooth y emplearlo como dispositivo de reproducción para señales de audio. En tal caso, el control de la reproducción se realiza directamente desde el terminal o el mando a distancia. El volumen también se puede regular directamente en el altavoz.

Nota – Bluetooth®

- Compruebe si su terminal móvil (smartphone, tableta, etc.) es compatible con *Bluetooth®*.
- Tenga en cuenta que el alcance de la tecnología *Bluetooth®* es de máx. 10 metros, en ausencia de obstáculos, como pueden ser las paredes, personas, etc.
- Pueden producirse interferencias en la conexión debido a otros dispositivos o conexiones *Bluetooth®* presentes en el entorno.
- El altavoz solo puede sincronizarse con un único terminal.
- Tenga en cuenta que la compatibilidad depende de los perfiles *Bluetooth®* compatibles y de las versiones *Bluetooth®* empleadas. (Véase: Datos técnicos, instrucciones de manejo del terminal empleado)

- Asegúrese de que esté encendido su terminal compatible con Bluetooth y de que esté activado el modo Bluetooth.
- Pulse repetidamente el botón [FUENTE] (2) del altavoz para activar el modo Bluetooth.
- También puede pulsar el botón de [Bluetooth] (13) del mando a distancia.
- El led de estado del Bluetooth (4) comenzará a parpadear lentamente en color azul.
- Presione y mantenga pulsado el botón de [FUENTE] (2) durante unos 2 segundos para activar el modo de emparejamiento. El led de estado del Bluetooth (4) comenzará a parpadear en color azul, y se emitirá una señal acústica.
- Abra la configuración Bluetooth en su terminal y espere hasta que se muestre Hama SIRIUM2000AMBT/ SIRIUM2100AMBT en la lista de los dispositivos Bluetooth encontrados.
- De ser necesario, inicie la búsqueda de dispositivos Bluetooth desde su terminal.
- Seleccione el altavoz Hama SIRIUM2000AMBT/ SIRIUM2100AMBT en la lista de los dispositivos disponibles y espere hasta que el altavoz aparezca como conectado en la configuración de Bluetooth de su terminal.
- El LED de estado Bluetooth (4) luce ahora permanentemente en azul.
- Inicie y controle la reproducción de audio según corresponda a través del terminal o el mando a distancia.

Nota – Contraseña Bluetooth®

- Algunos terminales requieren una contraseña para la configuración de la conexión con otros dispositivos *Bluetooth®*.
- Introduzca la contraseña 0000 para la conexión con el altavoz si el terminal lo requiriese.

7. Conexión a través de la entrada óptica

La entrada digital de audio del altavoz le permite conectar su terminal (por ejemplo, un televisor) y reproducir su señal de audio a través del altavoz.

Nota



- Apague el altavoz antes de conectarlo a un terminal.
- Antes de conectarlo, retire los capuchones protectores de los dos extremos del cable óptico de señal.
- No pliegue ni aplaste el cable.

- Para reproducir sonido a través de la conexión óptica de audio, conecte un cable de señal óptica a la entrada óptica de audio del altavoz y a la salida óptica de audio de su terminal; a continuación, elija el modo óptico.
- Presione y mantenga pulsado el botón de [ENCENDIDO] (1) durante unos 3 segundos para encender el altavoz.
- Pulse repetidamente el botón de [FUENTE] (2) del altavoz para activar el modo óptico.
- El led de estado de la entrada óptica (4) se ilumina en color lila si se ha activado el modo óptico.
- También puede pulsar el botón de [ENTRADA óptica] (12) del mando a distancia.

8. Conexión a través de la entrada auxiliar o la salida auxiliar

La entrada analógica de audio le permite conectar terminales móviles (por ejemplo, un smartphone, tablet PC o reproductor de mp3) y fuentes analógicas más antiguas (por ejemplo, un reproductor de CD o DVD) al altavoz y reproducir su señal de audio a través del altavoz. En este caso, usted tiene la opción de conexión de cable de audio de 3,5 mm (cable jack).

A través de la salida analógica de audio (5) pueden conectarse más altavoces, a través de los cuales también se reproduce la señal de audio.

Nota



- Apague el altavoz antes de conectarlo a un terminal.
- No pliegue ni aplaste el cable.

- Para reproducir sonido a través de la conexión de entrada auxiliar, conecte su terminal al altavoz a través de la toma de entrada auxiliar (4) utilizando un cable de audio de 3,5 mm (cable jack) y elija el modo de conexión auxiliar.
- Para reproducir sonido a través de la conexión de salida auxiliar, puede conectar más altavoces o un amplificador al altavoz a través de la toma de salida auxiliar (5) utilizando un cable de audio de 3,5 mm (cable jack); a continuación, elija el modo de conexión auxiliar.
- Pulse el botón de [ENCENDIDO] (1) para encender el altavoz.
- Pulse repetidamente el botón de [FUENTE] (2) del altavoz para activar el modo de conexión auxiliar.
- El led de estado (4) se ilumina en color cian si ha elegido el modo de conexión auxiliar.

- Inicie y controle la reproducción de audio según corresponda a través del terminal conectado.
- También puede pulsar el botón de [ENTRADA DE LÍNEA] (14) del mando a distancia.

9. Ajustes de fábrica

Para restablecer el altavoz a los ajustes de fábrica (estado en el momento del suministro), proceda según se indica a continuación:

- Pulse los botones de [CONFIGURACIÓN] (2) y [ACCIÓN] (4) y manténgalos presionados durante unos 6 segundos para restablecer los ajustes de fábrica del altavoz.
- El altavoz se reiniciará una vez se haya restablecido correctamente.

Nota



- Algunos problemas y fallos en el funcionamiento podrían solucionarse restableciendo los ajustes de fábrica.
- Sin embargo, todos los ajustes previos, como el ecualizador, los favoritos y los perfiles de red se borran definitivamente.

10. Mantenimiento y cuidado

- Limpie este producto sólo con un paño ligeramente humedecido que no deje pelusas y no utilice detergentes agresivos.
- Si no va a utilizar el producto durante un periodo prolongado de tiempo, apague el aparato y desconéctelo de la alimentación de corriente. Guárdelo en un lugar limpio y seco que no esté expuesto a la radiación directa del sol.

11. Exclusión de responsabilidad

Hama GmbH & Co KG no se responsabiliza ni concede garantía por los daños que surjan por una instalación, montaje o manejo incorrectos del producto o por la no observación de las instrucciones de manejo y/o de las instrucciones de seguridad.

12. Declaración de conformidad

CE Por la presente, Hama GmbH & Co KG, declara que el tipo de equipo radioeléctrico [00054881, 00054882, 00054886, 00054887] es conforme con la Directiva 2014/53/UE. El texto completo de la declaración UE de conformidad está disponible en la dirección Internet siguiente:
www.hama.com -> 00054881, 00054882, 00054886, 00054887 -> Downloads.

Banda o bandas de frecuencia	Bluetooth: 2.402 GHz - 2.480 GHz WiFi: 2.402 GHz – 2.480 GHz WiFi: 2.412 GHz – 2.483 GHz WiFi: 5.150 GHz – 5.350 GHz WiFi: 5.470 GHz – 5.725 GHz
Potencia máxima de radiofrecuencia	Bluetooth: 4 dBm (EIRP) WiFi: 2.4 GHz / 19.5 dBm (EIRP) WiFi: 5 GHz / 16.5 dBm (EIRP)

Restricciones o Requisitos en

Bélgica, Bulgaria, República Checa, Dinamarca, Alemania, Estonia, Irlanda, Grecia, España, Francia, Croacia, Italia, Chipre, Letonia, Lituania, Luxemburgo, Hungría, Malta, Países Bajos, Austria, Polonia, Portugal, Rumanía, Eslovenia, Eslovaquia, Finlandia, Suecia, Reino Unido

Nota



Si se emplean los canales 36-64 (frecuencia 5,150 GHz – 5,350 GHz) en la red WLAN de 5 GHz, el producto solo deberá utilizarse en espacios cerrados.

Органы управления и индикации

A. Панель управления динамиком

1. КНОПКА [ВКЛ.]
2. КНОПКА [ИСТОЧНИК]
3. КНОПКА [МИКРОФОН ВЫКЛ.]
4. КНОПКА [РАБОТА]
5. КНОПКА [ГРОМКОСТЬ] –
6. КНОПКА [ГРОМКОСТЬ] +

B. На лицевой стороне

1. Светодиодные индикаторы состояния 1–5
2. Светодиодный индикатор состояния обновления

C. На обратной стороне

1. Резьба для настенного кронштейна
2. Кнопка [НАСТРОЙКА]
3. Оптический вход
4. Линейный аудиовход
5. Линейный аудиовыход
6. USB (воспроизведение и обновление)
7. Сетевой кабель

D. Пульт дистанционного управления

1. Включение
2. Отключение динамика
3. Работа
4. Отключение микрофона
5. Низкие частоты +
6. Низкие частоты –
7. Громкость +
8. Громкость –
9. EQ1 (по умолчанию)
10. не работает
11. EQ2 (МуEQ)
12. Оптический вход
13. Bluetooth
14. Линейный вход
15. Назад
16. Воспроизведение/пауза
17. Вперед
18. Сопряжение

Важное примечание — Руководство по эксплуатации:



- Это краткое руководство, в котором содержатся важные базовые сведения, такие как указания по технике безопасности и вводу в эксплуатацию устройства.
- Из соображений охраны окружающей среды и экономии ценных сырьевых ресурсов фирма Hama отказывается от использования печатных руководств по эксплуатации и предлагает их исключительно для загрузки в формате PDF или в виде электронного руководства на сайте www.hama.com.
- Чтобы легче найти нужную информацию, используйте функцию поиска. В строке поиска введите номер изделия, чтобы получить доступ к документации по этому изделию.
- Сохраните настоящее руководство по эксплуатации на компьютере, чтобы при необходимости всегда была возможность им воспользоваться, и по возможности распечатайте его.

1. Предупредительные пиктограммы и инструкции

Опасность поражения электрическим током



Значок предупреждает об опасности поражения высоким напряжением в случае касания неизолированных токоведущих деталей.

Внимание



Данным значком отмечены инструкции, несоблюдение которых может привести к опасной ситуации.

Примечание



Дополнительная или важная информация.

2. Комплект поставки

- смарт-динамик Hama SIRIUM2000AMBT/SIRIUM2100AMBT
- блок питания
- пульт дистанционного управления SRC-1805-Layout B
- 2 элемента питания типа AAA
- краткое руководство по запуску

3. Техника безопасности

- Запрещается эксплуатировать вне помещений.
- Изделие предназначено только для домашнего применения.
- Беречь от грязи, влаги и перегрева.
- Эксплуатировать только в сухих помещениях.
- Не давать детям!
- Не ронять. Беречь от сильных ударов.
- Соблюдать технические характеристики.
- Упаковку не давать детям: опасность асфиксии.
- Утилизировать упаковку в соответствии с местными нормами.
- Запрещается вносить изменения в конструкцию. В противном случае гарантийные обязательства аннулируются.

Опасность поражения током



- Изделие не открывать. Запрещается эксплуатировать неисправное изделие.
- Запрещается эксплуатация при неисправном блоке питания или поврежденном кабеле питания.
- Запрещается самостоятельно выполнять техническое обслуживание или ремонт устройства. Любые работы по техническому обслуживанию или ремонту разрешается выполнять только квалифицированному персоналу.

Предупреждение — Батареи



- Загружая батареи, соблюдайте полярность (+ и -). Несоблюдение полярности может стать причиной вытекания или взрыва батарей.
- Детям запрещается заменять батареи без присмотра взрослых.
- Не применять батареи разных типов, разных производителей или новые и старые батареи вместе.
- В случае большого перерыва в эксплуатации извлечь батареи из устройства.
- Не закорачивать контакты батарей.
- Обычные батареи не заряжать.
- Не бросать батареи в огонь.
- Хранить батареи в месте, недоступном для детей.
- Израсходованные батареи немедленно удалять из прибора и утилизировать.

4. Ввод в эксплуатацию

Ввод в эксплуатацию пульта дистанционного управления

Откройте крышку отсека для батареек. Она находится на обратной стороне пульта дистанционного управления. Ее можно открыть, сдвинув в указанном направлении. В комплект поставки входят две батарейки AAA, которые необходимо вставить в отсек для батареек для ввода пульта в эксплуатацию. При вставке следите за правильной полярностью батареек. Нужная полярность (+/-) отмечена в отсеке для батареек.

Внимание



- Разрешается подключать только к соответствующей розетке электросети. Розетка электросети должна находиться рядом с устройством в легко доступном месте.
- Для отключения устройства используйте кнопку питания. При ее отсутствии извлеките вилку кабеля питания из розетки.
- При подключении к колодке с несколькими розетками убедитесь, что общая мощность потребителей не превышает допустимую.
- Если устройство не используется в течение длительного времени, отключите его от электросети.

Включение

- Подключите сетевой кабель динамика в профессионально установленную розетку.
- Динамик включится автоматически.

Примечание касательно первого включения



- При первом включении динамик находится в режиме «Первичная настройка устройства», светодиодные индикаторы состояния (1–5) пульсируют.
- Если режим наладки неактивен, кратковременно нажмите кнопку [НАСТРОЙКА] (2) на обратной стороне устройства для того, чтобы активировать режим WPS (быстро мигает). В качестве альтернативы нажмите и удерживайте кнопку [НАСТРОЙКА] (2) в течение 7 секунд, чтобы открыть точку доступа (медленно мигает).
- При повторном включении все светодиодные индикаторы состояния (1–5) мигают оранжевым до тех пор, пока не восстановятся ранее выполненные соединения. В зависимости от имеющейся мощности сигнала интернета это может занимать до 20 секунд.

Включение/выключение/режим ожидания

- Нажмите [ВКЛ.] (1), чтобы включить динамик. В качестве альтернативы нажмите кнопку [ВКЛ.] (1) на пульте дистанционного управления.

- Вновь нажмите кнопку [ВКЛ.] (1) на устройстве или пульте дистанционного управления, чтобы выключить динамик. (режим ожидания)

Примечание



- Для полного выключения динамика отсоедините его от электропитания.

Регулировка громкости/выключение звука

- Для того, чтобы уменьшить/увеличить громкость звука, нажмите кнопку [ГРОМКОСТЬ -/+].
- Нажмите кнопку [MUTE] (2) на пульте дистанционного управления, чтобы выключить звук динамика.
- Вновь нажмите кнопку [MUTE] (2), чтобы вернуть громкость звука на уровень до отключения.

5. Настройка динамика

Примечание



- Для использования всех функций изделия необходимо дополнительно загрузить приложение Amazon Alexa и создать учетную запись Amazon. Следуйте инструкциям приложения Amazon Alexa. Более подробные сведения см. на сайте www.amazon.com.

5.1 Загрузка приложения Nama Smart Audio

Примечание



Совместимость с операционными системами:

- iOS 8 и более поздние
 - Android 4.4.2 и более поздние
- Откройте iTunes AppStore или Google Play Store в зависимости от марки смартфона.
 - При поиске используйте ключевое слово Nama Smart Audio.
 - Загрузите и установите приложение на смартфоне обычным образом. Следуйте инструкциям на смартфоне.

5.2 Настройка устройства с приложением Nama Smart Audio (функция ALEXA)

Примечание - WLAN (беспроводная сеть)



- Убедитесь, что маршрутизатор включен, и установлено соединение с интернетом.
 - При необходимости включите на маршрутизаторе беспроводное соединение WLAN.
 - Смотрите инструкцию по эксплуатации маршрутизатора, в том числе главу по поиску и устранению неисправностей.
- Убедитесь, что динамик находится в режиме WLANPairing. Светодиодные индикаторы состояния (1–5) мигают.
 - Убедитесь, что на вашем смартфоне установлено приложение Nama Smart Audio и все обновления.

- Откройте приложение Nama Smart Audio и коснитесь кнопки [КОНФИГУРАЦИЯ].
- Затем коснитесь [Добавить другие динамики].
- Откройте настройки WLAN своего смартфона, для этого коснитесь [ОТКРЫТЬ настройки].
- В настройках WLAN своего смартфона найдите динамик Nama SIRIUM2000AMBT/SIRIUM2100AMBT.

Примечание



- Динамик создаст собственную сеть WLAN под названием SIRIUMSetup с включением первых шести символов адреса MAC (например, SIRIUMSetup_E69EBB). Для этой сети WLAN пароль не требуется.
- Подключите динамик к смартфону.
- Вернитесь к приложению Nama Smart Audio на смартфоне.
- Выберите имя сети WLAN (SSID), к которой хотите подключить динамик.
- При необходимости введите пароль к сети и подтвердите, коснувшись [Сохранить].
- Подтвердите настройки, коснувшись [ПОДТВЕРДИТЬ].
- Устанавливается соединение динамика с сетью. После успешного соединения на экране смартфона появится надпись «Конфигурация подключения динамика завершена».
- Светодиодные индикаторы погаснут через несколько секунд.

Примечание



- В случае iOS приложение может закрыться и потребует его перезапуск. Далее выполните два следующих шага.
- Теперь настроенная звуковая панель должна отобразиться в главном меню. Нажмите на значок динамика.
- Коснитесь символа [Источники] у нижней кромки экрана для создания соединения с вашим аккаунтом Amazon.
- Затем коснитесь кнопки [Amazon Alexa].

- Коснитесь символа [Войти через Amazon], чтобы открыть браузер для ввода данных доступа.

Примечание



- Если на вашем смартфоне уже было установлено и настроено приложение Amazon Shopping, то следующие шаги будут пропущены.
- Введите данные доступа к аккаунту Amazon, используя клавиатуру смартфона, и подтвердите ввод кнопкой «Авторизация».
- В качестве альтернативы вы можете создать новую учетную запись Amazon, коснувшись кнопки [Создать новую учетную запись Amazon].

- После успешной регистрации вы вернетесь в приложение Nama Smart Audio.
- Выберите язык, на который будет реагировать Alexa.
- Откройте приложение Amazon Alexa и при необходимости вновь введите данные доступа. Теперь ваш динамик должен находиться среди активных устройств.
- Выполните персональные настройки (часовой пояс, имя устройства и т. д.) в приложении Amazon Alexa. Дополнительная информация представлена на сайте www.amazon.de в разделе «Справочная информация и обслуживание клиентов».

Примечание



- Если на вашем смартфоне уже было установлено и настроено приложение Amazon Market, то некоторые смартфоны получают данные пользователя напрямую из него.
- Для создания новой учетной записи Amazon деавторизуйтесь и повторите шаги, описанные в настоящей главе.

Примечание Alexa Push to talk/ Function Key



- Коротко нажмите кнопку [Работа] (4) на динамике, чтобы активировать Alexa во время аудиорежима или при высокой громкости воспроизведения. В качестве альтернативы нажмите кнопку [Работа] (3) на пульте дистанционного управления.
- Нажмите кнопку [Микрофон ВЫКЛ.] (3) для отключения микрофонов. Если микрофоны отключены, светодиодные индикаторы состояния (1–5) постоянно светятся красным. В качестве альтернативы нажмите кнопку [Микрофон ВЫКЛ.] (4) на пульте дистанционного управления.
- Динамик больше не реагирует на код активации, пока микрофоны не будут снова включены.
- Вновь нажмите кнопку [Микрофон ВЫКЛ.] (3), чтобы активировать микрофон. В качестве альтернативы нажмите кнопку [Микрофон ВЫКЛ.] (4) на пульте дистанционного управления. Светодиодные индикаторы состояния (1–5) гаснут.

6. Согласование устройств по протоколу Bluetooth

Портативные устройства можно соединять с динамиком по технологии Bluetooth и использовать его для воспроизведения аудиосигналов. При этом управление воспроизведением происходит непосредственно на оконечном устройстве или пульте дистанционного управления. Громкость можно регулировать непосредственно с помощью элементов управления на динамике.

Примечание – Bluetooth®



- Убедитесь, что ваше портативное устройство (смартфон, планшет и т. д.) поддерживает технологию Bluetooth.
- Обратите внимание, что максимальный радиус действия Bluetooth® составляет макс. 10 м без учета препятствий (стен, людей и т. д.).
- Другие устройства с поддержкой Bluetooth®, находящиеся поблизости, могут создавать помехи.
- Динамик можно одновременно соединить только с одним портативным устройством.
- Обратите внимание, что совместимость зависит от поддерживаемых профилей Bluetooth® и используемых версий Bluetooth® (см. технические характеристики и инструкцию по эксплуатации портативного устройства).

- Убедитесь в том, что ваше оконечное устройство с поддержкой Bluetooth включено, а Bluetooth активирован.
- Повторным нажатием кнопки [ИСТОЧНИК] (2) активируйте на динамике режим Bluetooth.
- В качестве альтернативы нажмите кнопку [Bluetooth] (13) на пульте дистанционного управления.
- Светодиодный индикатор Bluetooth (4) начнет пульсировать синим.
- Нажмите и удерживайте кнопку [ИСТОЧНИК] (2) в течение 2 секунд для активации режима сопряжения. Светодиодный индикатор Bluetooth (4) начнет мигать синим, раздастся звуковой сигнал.
- Откройте настройки Bluetooth на портативном устройстве и дождитесь появления в списке устройств Bluetooth записи Nama SIRIUM2000AMBT/SIRIUM2100AMBT.
- При необходимости используйте функцию поиска на портативном устройстве.
- Выберите динамик Nama SIRIUM2000AMBT/SIRIUM2100AMBT в списке доступных устройств и подождите: динамик должен отобразиться в настройках Bluetooth на портативном устройстве как подключенный.
- Индикатор Bluetooth (4) будет непрерывно светиться синим цветом.
- Включите воспроизведение аудиодорожки и управляйте им соответствующим образом с помощью оконечного устройства или пульта дистанционного управления.

Примечание касательно пароля Bluetooth®



Для установки соединения с некоторыми устройствами может потребоваться пароль Bluetooth®.

- Если на портативном устройстве появится запрос на ввод пароля для установки соединения с динамиком, введите пароль **0000**.

7. Соединение через оптический вход

Цифровой аудиовход на динамике позволяет подключать оконечное устройство (например, ТВ) и передавать аудиосигнал с него через динамик.

Примечание



- Перед тем, как подключить оконечное устройство, выключите динамик.
 - Перед подключением снимите защитные колпачки с обоих концов оптического сигнального кабеля.
 - Не сгибайте и не пережимайте кабель.
- Для воспроизведения через оптический аудиовход подключите оптический сигнальный кабель к оптическому аудиовходу динамика и оптическому выходу оконечного устройства и выберите оптический режим.
- Нажмите и удерживайте [ВКЛ.] (1) в течение 3 секунд, чтобы включить динамик.
 - Повторным нажатием кнопки [ИСТОЧНИК] (2) активируйте оптический режим динамика.
 - Если оптический режим активирован, то светодиодный индикатор состояния оптического режима (4) активирован.
 - В качестве альтернативы нажмите кнопку [Оптический вход] (12) на пульте дистанционного управления.

8. Соединение через линейный вход/линейный выход

Через аналоговый аудиовход к динамику можно подключать мобильные оконечные устройства (например, смартфон, планшетный ПК, MP3-проигрыватель и т. д.) и аналоговые источники предыдущих поколений (CD-/DVD-плеер и т. д.). Их аудиосигнал будет воспроизводиться через динамик. Для подключения можно использовать аудиокабель 3,5 мм (штыревой кабель).

Через аналоговый аудиовыход (5) можно подключить другие динамики, через которые также будет воспроизводиться аудиосигнал.

Примечание



- Перед тем, как подключить оконечное устройство, выключите динамик.
- Не сгибайте и не пережимайте кабель.

- Для воспроизведения через линейный аудиовход вставьте аудиокабель 3,5 мм (штыревой кабель) в гнездо линейного аудиовхода (4), соединив оконечное устройство с динамиком, и выберите режим AUX.
- Для воспроизведения через линейный аудиовыход подсоедините, например, другие динамики/усилитель через линейный аудиовыход (5) с помощью аудиокабеля 3,5 мм (штыревого кабеля) с динамиком и выберите режим AUX.
- Нажмите [ВКЛ.] (1), чтобы включить динамик.
- Повторным нажатием кнопки [ИСТОЧНИК] (2) активируйте на динамике режим AUX.
- После выбора режима AUX светодиодные индикаторы состояния (4) светятся голубым.
- Включите воспроизведение аудиодорожки и управляйте им соответствующим образом на подключенном оконечном устройстве.
- В качестве альтернативы нажмите кнопку [ЛИНЕЙНЫЙ ВХОД] (14) на пульте дистанционного управления.

9. Заводские настройки

Для сброса динамика на заводские настройки (состояние поставки) выполните следующие действия:

- Нажмите и удерживайте кнопки [НАСТРОЙКА] (2) и [Работа] (4) в течение 6 секунд, чтобы сбросить динамик на заводские настройки.
- После успешного сброса динамик перезапускается.

Примечание



- Сброс на заводские настройки может помочь устранить проблемы и неправильную работу динамика.
- Однако все предварительные настройки, такие как эквалайзер, избранное и сетевые профили, будут безвозвратно удалены.

10. Уход и техобслуживание

- Чистку изделия производить только безворсовой слегка влажной салфеткой. Запрещается применять агрессивные чистящие средства.
- Если изделие не используется на протяжении долгого времени, выключите его и отключите от сети. Храните его в чистом сухом месте, недоступном для прямого солнечного излучения.

11. Отказ от гарантийных обязательств

Компания Hama GmbH & Co. KG не несет ответственность за ущерб, возникший вследствие неправильного монтажа, подключения и использования изделия не по назначению, а также вследствие несоблюдения инструкции по эксплуатации и техники безопасности.

12. Декларация производителя

CE Настоящим компания Hama GmbH & Co KG заявляет, что радиооборудование типа [00054881, 00054882, 00054886, 00054887] отвечает требованиям директивы 2014/53/ЕС. С полным текстом декларации о соответствии требованиям ЕС можно ознакомиться здесь: www.hama.com -> 00054881, 00054882, 00054886, 00054887 -> Downloads.

Диапазон/диапазоны частот	Bluetooth: 2.402 GHz - 2.480 GHz WiFi: 2.402 GHz – 2.480 GHz WiFi: 2.412 GHz – 2.483 GHz WiFi: 5.150 GHz – 5.350 GHz WiFi: 5.470 GHz – 5.725 GHz
Максимальная излучаемая мощность	Bluetooth: 4 dBm (EIRP) WiFi: 2.4 GHz / 19.5 dBm (EIRP) WiFi: 5 GHz / 16.5 dBm (EIRP)

Ограничения или требования в

Бельгия, Болгария, Чешская Республика, Дания, Германия, Эстония, Ирландия, Греция, Испания, Франция, Хорватия, Италия, Кипр, Латвия, Литва, Люксембург, Венгрия, Мальта, Нидерланды, Австрия, Польша, Португалия, Румыния, Словения, Словакия, Финляндия, Швеция, Великобритания

Примечание



При использовании каналов 36—64 (частота 5,150—5,350 ГГц) в беспроводной сети (WLAN) с частотой 5 ГГц изделие разрешено применять только в закрытых помещениях.

Elementi di comando e indicazioni

A. Pannello di comando dell'altoparlante

1. TASTO [POWER]
2. TASTO [SOURCE]
3. TASTO [MUTE MICROFONO]
4. TASTO [AZIONE]
5. TASTO [VOLUME] -
6. TASTO [VOLUME] +

B. Lato anteriore

1. LED di stato 1-5
2. LED di stato degli aggiornamenti

C. Lato posteriore

1. Fori filettati per supporto a parete
2. Tasto [SETUP]
3. Presa Optical-In
4. Presa AUX-In
5. Presa AUX-Out
6. USB (Playback & Update)
7. Cavo dell'alimentazione

D. Telecomando

1. Power
2. Mute altoparlante
3. Azione
4. Mute microfono
5. Bassi +
6. Bassi -
7. Vol +
8. Vol -
9. EQ1 (Standard)
10. senza funzione
11. EQ2 (MyEQ)
12. Optical IN
13. Bluetooth
14. Line-IN
15. Indietro
16. Play / Pausa
17. Avanti
18. Pairing

Avvertenza importante - istruzioni per l'uso:



- Queste istruzioni brevi forniscono informazioni di base importanti come le avvertenze di sicurezza e la messa in esercizio del prodotto.
- Per ragioni di tutela ambientale e per il risparmio di preziose materie prime l'azienda Hama ha deciso di non stampare le istruzioni per l'uso e le mette a disposizione esclusivamente in PDF / eManual da scaricare all'indirizzo www.hama.com.
- Per trovare velocemente la documentazione relativa all'articolo desiderato, utilizzare la funzione di ricerca immettendo come chiave di ricerca il numero di articolo.
- Salvare queste istruzioni per l'uso sul computer per una successiva consultazione ed eventualmente stamparle.

1. Spiegazione dei simboli di avvertimento e delle indicazioni

Pericolo dovuto a scossa elettrica



Questo simbolo indica un pericolo dovuto al contatto con parti non isolate del prodotto che potrebbero provocare una tensione pericolosa di entità tale da generare il pericolo di una scossa elettrica.

Attenzione



Viene utilizzato per contrassegnare le indicazioni di sicurezza oppure per rivolgere l'attenzione verso particolari rischi e pericoli.

Avvertenza



Viene utilizzato per contrassegnare informazioni supplementari o indicazioni importanti.

2. Contenuto della confezione

- Hama Smart Speaker "SIRIUM2000AMBT/SIRIUM2100AMBT"
- alimentatore
- telecomando SRC-1805-Layout B
- 2 batterie AAA
- manuale di istruzioni breve

3. Indicazioni di sicurezza:

- Il prodotto è stato concepito solo per l'utilizzo all'interno degli edifici.
- Il prodotto è concepito per l'uso domestico privato, non commerciale.
- Proteggere il prodotto da sporcizia, umidità e surriscaldamento e utilizzarlo soltanto in ambienti asciutti.
- Tenere questo apparecchio, come tutte le apparecchiature elettriche, fuori dalla portata dei bambini!
- Non fare cadere il prodotto e non sottoporlo a forti scossoni!
- Non mettere in esercizio il prodotto al di fuori dei suoi limiti di rendimento indicati nei dati tecnici.
- Tenere l'imballo fuori dalla portata dei bambini, pericolo di soffocamento!
- Smaltire immediatamente il materiale d'imballaggio attenendosi alle prescrizioni locali vigenti.
- Non apportare modifiche all'apparecchio per evitare di perdere i diritti di garanzia.

Pericolo dovuto a scossa elettrica



- Non aprire il prodotto e non utilizzarlo più se danneggiato
- Non utilizzare il prodotto se l'adattatore AC, il cavo adattatore o il cavo di rete sono danneggiati.
- Non tentare di aggiustare o riparare l'apparecchio da soli. Fare eseguire qualsiasi lavoro di riparazione al personale specializzato competente.

Attenzione – Batterie



- Attenersi sempre alla corretta polarità (scritte + e -) delle batterie e inserirle di conseguenza. La mancata osservanza comporta la perdita di potenza o il rischio di esplosione delle batterie.
- I bambini possono sostituire le batterie solo sotto la sorveglianza degli adulti.
- Non utilizzare batterie di tipi o costruttori diversi, né mischiare batterie vecchie e nuove.
- Togliere sempre le batterie dai prodotti che non vengono utilizzati per un lungo periodo (a meno che non vengano tenuti a portata di mano per un'emergenza)
- Non cortocircuitare le batterie.
- Non caricare le batterie.
- Non gettare le batterie nel fuoco.
- Conservare le batterie al di fuori della portata dei bambini
- Rimuovere e smaltire immediatamente le batterie scariche.

4. Messa in funzione

Mettere in funzione il telecomando

Aprire il coperchio del vano batterie. Esso si trova sul lato posteriore del telecomando e può essere aperto facendolo scorrere nella direzione indicata. La fornitura include due batterie AAA da inserire nell'apposito vano prima di procedere con la messa in funzione. Inserire le batterie facendo attenzione alla polarità corretta. La polarità (+ / -) è indicata nel vano batterie.

Attenzione



- Collegare il prodotto solo a una presa di rete appositamente omologata. La presa deve trovarsi nei pressi del prodotto ed essere facilmente accessibile.
- Scollegare il prodotto dall'alimentazione con l'interruttore on/off. Se questo non è presente, staccare la spina dalla presa elettrica.
- Se si utilizzano prese multiple, prestare attenzione che le utenze collegate non superino la potenza totale assorbita.
- Scollegare la radio dalla presa di rete se non la si utilizza per lungo tempo.

Accensione

- Collegare il cavo di alimentazione dell'altoparlante a una presa installata a norma.
- L'altoparlante si accende automaticamente.

Avvertenza – Prima accensione



- Alla prima accensione, l'altoparlante si trova in modalità "Prima configurazione del dispositivo" e i LED di stato (1-5) lampeggiano.
- Se la modalità di configurazione non dovesse essere attiva, premere brevemente il tasto [SETUP] (2) sul lato posteriore del dispositivo per attivare la modalità WPS (lampeggia velocemente). In alternativa tenere premuto il tasto [SETUP] (2) per 7 secondi circa per aprire un AccessPoint (lampeggia lentamente).
- Alla riaccensione, tutti i LED di stato (1-5) lampeggiano a luce arancione fino all'avvenuto ripristino delle connessioni fino ad ora stabilite. A seconda della potenza del segnale di Internet, l'operazione può richiedere fino a 20 secondi.

Accendere/Spegnere/Stand-by

- Premere [POWER] (1) per accendere l'altoparlante. In alternativa, premere [POWER] (1) sul telecomando.
- Premere di nuovo [POWER] (1) sul dispositivo o sul telecomando per spegnere l'altoparlante (stand-by).

Avvertenza



- Per spegnere completamente l'altoparlante, disconnetterlo dalla rete elettrica.

Regolare il volume/Mute

- Premere [VOLUME +/-] per ridurre/aumentare il volume.
- Premere [Mute] (2) sul telecomando per silenziare l'altoparlante.
- Premere di nuovo [Mute] (2) per reimpostare il volume sul valore precedente il silenziamento.

5. Configurare l'altoparlante

Avvertenza



- Per sfruttare al massimo tutte le funzioni del prodotto è necessario scaricare la app aggiuntiva Amazon Alexa e creare un account Amazon. Seguire attentamente le istruzioni per l'installazione della app Amazon Alexa. Per ulteriori informazioni visitare il sito www.amazon.com

5.1 Scaricamento della app Hama Smart Audio

Avvertenza



Sono supportati i seguenti sistemi operativi

- iOS 8 o superiore
- Android 4.4.2 o superiore

Aprire sullo smartphone o iTunes AppStore oppure Google Play Store.

- Utilizzare il termine di ricerca "Hama Smart Audio".
- Scaricare la app e installarla normalmente nello smartphone. Seguire attentamente le istruzioni per l'installazione dello smartphone.

5.2 Prima impostazione del dispositivo con la app Hama Smart Audio (funzione ALEXA)

Avvertenza Wi-Fi (rete wireless)



- Accertarsi che il router sia acceso, che funzioni correttamente e che la connessione Internet sia attiva.
- Se non è già attiva, attivare la connessione WLAN del proprio router.
- In caso di domande sulla configurazione del router, consultare il manuale d'istruzioni del router per la ricerca degli errori/la soluzione dei problemi.
- Assicurarsi che l'altoparlante sia in modalità Pairing WiFi. I LED di stato (1-5) lampeggiano.
- Assicurarsi che nel proprio smartphone siano installati l'App Hama Smart Audio e tutti gli aggiornamenti.
- Aprire l'App Hama Smart Audio e toccare [CONFIGURE].
- Toccare quindi [Add More Speakers].
- Aprire le impostazioni WiFi dello smartphone toccando [OPEN Settings].

- Nelle impostazioni WiFi dello smartphone cercare l'altoparlante Hama SIRIUM2000AMBT/SIRIUM2100AMBT.

Avvertenza



- L'altoparlante crea una propria rete WiFi con il nome SIRIUMSetup e le prime sei cifre dell'indirizzo MAC (ad es. SIRIUMSetup_E69EBB). Questa rete WiFi non richiede la password.
- Connettere il proprio smartphone all'altoparlante.
- Tornare all'App Hama Smart Audio dello smartphone.
- Scegliere il nome della rete WiFi (SSID) alla quale si desidera connettere l'altoparlante.
- Inserire la chiave di sicurezza, se necessaria, e confermare con [Save].
- Confermare le impostazioni selezionate toccando [CONFIRM].
- L'altoparlante si connette alla rete. Dopo avere stabilito la connessione, sul display dello smartphone appare "Configurazione altoparlante riuscita".
- I LED si spengono dopo alcuni secondi.

Avvertenza



- Con iOS può accadere che l'App si chiuda e debba essere riavviata. Effettuare quindi i due passaggi seguenti.
- La soundbar configurata dovrebbe adesso apparire nel menu principale. Premere l'icona dell'altoparlante.
- Toccare [Source] sul margine inferiore della pagina per stabilire una connessione con il proprio account Amazon.
- Toccare quindi il pulsante [Amazon Alexa].

- Toccare [Sign in with Amazon] per aprire il browser web dove occorre inserire i dati di accesso. Tramite la tastiera dello smartphone inserire i dati di accesso del proprio account Amazon.

Avvertenza



- Se l'App Amazon Shopping è già installata e configurata sul proprio smartphone i passaggi che seguono vengono ignorati.
- Tramite la tastiera dello smartphone inserire i dati di accesso del proprio account Amazon e confermare con Login.
- In alternativa è possibile creare un nuovo account Amazon toccando [Create a new Amazon account].
- Dopo avere effettuato l'accesso si torna all'App Hama Smart Audio.
- Selezionare la lingua nella quale Alexa dovrà comunicare.
- Aprire l'App Amazon Alexa e, se necessario, inserire di nuovo i dati di accesso. Al termine dell'operazione, l'altoparlante dovrebbe apparire tra i dispositivi attivi.

- Effettuare quindi le impostazioni personali (fuso orario, nome del dispositivo, ecc.) nell'App Amazon Alexa. Altre informazioni sono disponibili in www.amazon.de -> Aiuto e Assistenza dispositivi.

Avvertenza

- Se l'App Amazon Market è già installata e configurata sul proprio smartphone, alcuni dispositivi acquisiscono i dati utente direttamente dall'App.
- Per creare un nuovo account Amazon, disconnettersi e ripetere i passaggi descritti nel presente capitolo.

Nota Alexa Push to talk/ Function Key

- Premere brevemente il tasto [Action] (4) sull'altoparlante per attivare Alexa durante la riproduzione audio o quando si aumenta il volume. In alternativa, premere il tasto [Action] (3) sul telecomando.
- Premere il tasto [Microphone Mute] (3) per spegnere i microfoni. Se i microfoni sono disattivati, i LED di stato (1-5) sono accesi a luce rossa fissa. In alternativa premere il tasto [Microphone Mute] (4) sul telecomando
- L'altoparlante non risponde più alla parola di attivazione fino a che non sono riattivati i microfoni.
- Premere di nuovo il tasto [Microphone Mute] (3) per riattivare i microfoni. In alternativa premere il tasto [Microphone Mute] (4) sul telecomando. I LED di stato (1-5) si spengono.

6. Prima connessione Bluetooth (pairing)

Il Bluetooth consente di connettere i propri terminali al dispositivo soundbar e di utilizzarli come riproduttori di segnali audio. La riproduzione potrà essere quindi gestita direttamente tramite terminale o telecomando. Il volume può essere regolato direttamente sull'altoparlante.

Avvertenza – Bluetooth®

- Verificare che il proprio terminale mobile (smartphone, tablet ecc.) sia compatibile *Bluetooth®*.
- Ricordare che la portata massima del *Bluetooth®* è 10 metri senza ostacoli, come per esempio possono essere le pareti e o le persone.
- Può accadere che il collegamento venga disturbato da altri apparecchi/conessioni *Bluetooth®* presenti nell'ambiente.
- L'altoparlante può essere accoppiato sempre e soltanto con un unico terminale.
- Attenzione: la compatibilità dipende dai profili *Bluetooth®* supportati e dalle versioni del *Bluetooth® Bluetooth®*. (vedi: Dati tecnici, istruzioni per l'uso del terminale utilizzato)

- Assicurarsi che il dispositivo compatibile bluetooth sia acceso e che la funzione bluetooth sia attivata.
- Attivare la modalità Bluetooth premendo ripetutamente il tasto [SOURCE] (2) sull'altoparlante.
- In alternativa, premere [Bluetooth] (13) sul telecomando.
- Il LED di stato Bluetooth (4) inizia a lampeggiare a luce blu.
- Tenere premuto il tasto [SOURCE] (2) per circa 2 secondi per attivare la modalità Pairing. Il LED di stato LED (4) inizia a lampeggiare a luce blu e viene emesso un segnale acustico.
- Aprire le impostazioni Bluetooth sul terminale e attendere finché nell'elenco dei dispositivi Bluetooth trovati non venga visualizzato il dispositivo Hama SIRIUM2000AMBT/SIRIUM2100AMBT.
- Avviare eventualmente la ricerca di apparecchi Bluetooth sul proprio terminale.
- Scegliere il dispositivo Hama SIRIUM2000AMBT/SIRIUM2100AMBT nell'elenco degli apparecchi trovati e attendere che l'altoparlante appaia come collegato via Bluetooth nelle impostazioni del terminale.
- Il LED di stato del Bluetooth (4) blu rimarrà acceso.
- Avviare e gestire la riproduzione audio attraverso il terminale o il telecomando.

Avvertenza – Password Bluetooth®

Per stabilire la connessione con un altro dispositivo *Bluetooth®* alcuni terminali richiedono una password.

- Per la connessione con la cassa audio immettere la password **0000**, se viene richiesto dal proprio terminale.

7. Connessione tramite Optical IN

Tramite l'ingresso audio digitale dell'altoparlante è possibile collegare un dispositivo (ad es. televisore) e riprodurre il segnale audio tramite l'altoparlante stesso.

Avvertenza



- Spegnerne l'altoparlante prima di collegare il dispositivo.
 - Prima di effettuare il collegamento rimuovere i cappucci di protezione da entrambe le estremità del cavo ottico del segnale.
 - Non piegare, né schiacciare il cavo.
- Per effettuare la riproduzione tramite la porta audio ottica, collegare l'ingresso audio ottico dell'altoparlante e l'uscita audio ottica del terminale tramite un cavo ottico, quindi selezionare Optical Modus.
 - Accendere l'altoparlante premendo il tasto [POWER] (1) per circa 3 secondi.
 - Attivare la modalità Optical premendo ripetutamente il tasto [SOURCE] (2) sull'altoparlante.
 - Dopo avere attivato la modalità Optical, il LED di stato Optical (4) si accende a luce viola fissa.
 - In alternativa premere [Optical IN] (12) sul telecomando.

8. Connessione tramite Auxiliary In/Auxiliary Out

Tramite l'ingresso audio analogico è possibile collegare all'altoparlante dispositivi mobili (ad es. smartphone, tablet, lettore MP3 ecc.) e sorgenti audio analogiche di passata generazione (lettore CD/DVD ecc.) e riprodurre il segnale audio. In questo caso è possibile effettuare il collegamento tramite un cavo audio da 3,5mm (cavo jack). Tramite l'uscita audio analogica (5) possono essere collegati altri altoparlanti tramite i quali è possibile riprodurre il segnale audio.

Avvertenza



- Spegnerne l'altoparlante prima di collegare il dispositivo.
- Non piegare, né schiacciare il cavo.

- Per effettuare la riproduzione tramite AUX-In, collegare il proprio terminale all'altoparlante attraverso la presa AUX-In (4) servendosi di un cavo audio da 3,5mm (cavo jack), quindi selezionare la modalità AUX.
- Per effettuare la riproduzione tramite AUX-Out, collegare all'altoparlante altri altoparlanti o un amplificatore tramite la presa AUX-Out (5) servendosi di un cavo audio da 3,5 mm (cavo jack), quindi selezionare la modalità AUX.
- Premere [POWER] (1) per accendere l'altoparlante.
- Attivare la modalità AUX premendo ripetutamente il tasto [SOURCE] (2) sull'altoparlante.
- Il LED di stato (4) si accende a luce ciano fissa, se è stata selezionata la modalità AUX.
- Avviare e gestire la riproduzione audio attraverso il terminale connesso.
- In alternativa premere [LINE IN] (14) sul telecomando.

9. Impostazione di fabbrica

Per ripristinare le impostazioni di fabbrica dell'altoparlante (impostazioni iniziali), procedere nel seguente modo:

- Tenere premuti i tasti [SETUP] (2) e [Action] (4) per circa 6 secondi
- Dopo il ripristino viene riavviato l'altoparlante.

Avvertenza



- Ripristinando le impostazioni di fabbrica, è possibile risolvere problemi e malfunzionamenti.
- Tutte le preimpostazioni, quali equalizzatore, preferiti e i profili di rete, vengono tuttavia cancellate definitivamente.

10. Cura e manutenzione

- Pulire questo prodotto solo con un panno umido e che non lascia pelucchi e non utilizzare mai detergenti aggressivi.
- Se non si utilizza il prodotto per un lungo periodo di tempo, spegnere il dispositivo e scollegarlo dalla rete elettrica. Conservarlo. In un luogo pulito, asciutto e lontano dalla luce diretta del sole.

11. Esclusione di garanzia

Hama GmbH & Co.KG non si assume alcuna responsabilità per i danni derivati dal montaggio o l'utilizzo scorretto del prodotto, nonché dalla mancata osservanza delle istruzioni per l'uso e/o delle indicazioni di sicurezza.

12. Dichiarazione di conformità

CE Il fabbricante, Hama GmbH & Co KG, dichiara che il tipo di apparecchiatura radio [00054881, 00054882, 00054886, 00054887] è conforme alla direttiva 2014/53/UE. Il testo completo della dichiarazione di conformità UE è disponibile al seguente indirizzo Internet:
www.hama.com -> 00054881, 00054882, 00054886, 00054887 -> Downloads.

Bande di frequenza	Bluetooth: 2.402 GHz - 2.480 GHz WiFi: 2.402 GHz – 2.480 GHz WiFi: 2.412 GHz – 2.483 GHz WiFi: 5.150 GHz – 5.350 GHz WiFi: 5.470 GHz – 5.725 GHz
Massima potenza a radiofrequenza trasmessa	Bluetooth: 4 dBm (EIRP) WiFi: 2.4 GHz / 19.5 dBm (EIRP) WiFi: 5 GHz / 16.5 dBm (EIRP)

Restrizioni o Requisiti in

Belgio, Bulgaria, Repubblica Ceca, Danimarca, Germania, Estonia, Irlanda, Grecia, Spagna, Francia, Croazia, Italia, Cipro, Lettonia, Lituania, Lussemburgo, Ungheria, Malta, Paesi Bassi, Austria, Polonia, Portogallo, Romania, Slovenia, Slovacchia, Finlandia, Svezia, Regno Unito

Avvertenza



Se si utilizzano i canali 36-64 (frequenza 5,150 GHz – 5,350 GHz) con WiFi 5 GHz, il prodotto può solo essere utilizzato in locali chiusi.

Bedieningselementen en indicaties**A. Bedieningspaneel luidspreker**

1. [POWER]-TOETS
2. [SOURCE]-TOETS
3. [MICROFOON-MUTE]-TOETS
4. [ACTIE]-TOETS
5. [VOLUME] - TOETS
6. [VOLUME] + TOETS

B. Voorkant

1. Status-led 1-5
2. Status-led update

C. Achterkant

1. Schroefdraad voor wandhouder
2. [SETUP]-toets
3. Optical-In-aansluiting
4. AUX-In-aansluiting
5. AUX-Out-aansluiting
6. USB (Playback en Update)
7. Voedingskabel

D. Afstandsbediening

1. Power
2. Luidspreker mute
3. Actie
4. Microfoon mute
5. Bass +
6. Bass -
7. Vol +
8. Vol -
9. EQ1 (Standaard)
10. Geen functie
11. EQ2 (MyEQ)
12. Optical IN
13. Bluetooth
14. Line-IN
15. Vorige
16. Weergave / pauze
17. Volgende
18. Pairing

**Belangrijke aanwijzing -
bedieningsinstructies:**

- Dit zijn beknopte bedieningsinstructies, waarin u belangrijke basisinformatie, zoals veiligheidsinstructies en de inbedrijfstelling van uw product, kunt lezen.
- In het kader van de milieubescherming en daarmee het besparen op waardevolle grondstoffen laat de firma Hama bedieningsinstructies in drukvorm achterwege en biedt deze uitsluitend als PDF-download / eManual onder www.hama.com aan.
- Maak gebruik van de zoekfunctie teneinde de bedieningsinstructies eenvoudiger te vinden en voer als zoekbegrip het artikelnummer in teneinde de productinformatie te bereiken.
- Sla deze bedieningsinstructies op uw computer op als naslagwerk voor op een later tijdstip of print deze naar mogelijkheid.

**1. Verklaring van waarschuwingssymbolen en
instructies****Gevaar voor een elektrische schok**

Dit symbool duidt op gevaar bij aanraking van niet-geïsoleerde onderdelen van het product, welke mogelijk onder een zodanig gevaarlijke spanning staan, dat het gevaar voor een elektrische schok aanwezig is.

Waarschuwing

Wordt gebruikt voor veiligheidsinstructies of om de aandacht te trekken op bijzondere gevaren en risico's.

Aanwijzing

Wordt gebruikt voor extra informatie of belangrijke informatie.

2. Inhoud van de verpakking

- Hama Smart Speaker "SIRIUM2000AMBT/SIRIUM2100AMBT"
- netadapter
- afstandsbediening SRC-1805-Layout B
- 2x batterijen AAA
- korte handleiding

3. Veiligheidsinstructies

- Het product is uitsluitend bedoeld voor gebruik binnen gebouwen.
- Het product is bedoeld voor het privé-, niet zakelijke, gebruik in huiselijke kring.
- Toestel beschermen tegen vuil, vocht en oververhitting. Alleen in droge ruimtes opstellen.
- Dit product dient, zoals alle elektrische producten, buiten het bereik van kinderen te worden gehouden!
- Laat het product niet vallen en stel het niet bloot aan zware schokken of stoten.
- Gebruik het product niet buiten de in de technische gegevens vermelde vermogensgrenzen.
- Het verpakkingsmateriaal mag absoluut niet in handen van kinderen komen; verstikkingsgevaar.
- Het verpakkingsmateriaal direct en overeenkomstig de lokaal geldende afvoerschriften afvoeren.
- Wijzig niets aan het toestel. Daardoor vervalt elke aanspraak op garantie.

Gevaar voor een elektrische schok



- Open het product niet en gebruik het niet meer bij beschadigingen.
- Gebruik het product niet indien de AC-adapter, de adapterkabel of de voedingskabel is beschadigd.
- Probeer het product niet zelf te onderhouden of te repareren. Laat onderhouds- en reparatiewerkzaamheden door vakpersoneel uitvoeren.

Waarschuwing - batterijen



- Let er altijd op dat u de batterijen met de polen in de juiste richting plaatst (opschrift + en -). Indien de batterijen verkeerd worden geplaatst kunnen deze gaan lekken of zelfs exploderen.
- Laat kinderen nooit zonder toezicht batterijen vervangen.
- Gebruik geen oude en nieuwe batterijen tegelijkertijd alsmede geen batterijen van een verschillende soort of fabrikaat.
- Verwijder batterijen uit producten die gedurende langere tijd niet worden gebruikt.
- De batterijen niet kortsluiten.
- De batterijen niet opladen.
- De batterijen niet in vuur werpen.
- Batterijen buiten het bereik van kinderen opbergen.
- Lege batterijen direct uit het product verwijderen en afvoeren.

4. Inbedrijfstelling

Afstandsbediening in gebruik nemen

Open de afdekking van het batterijvak Deze bevindt zich aan de achterkant van de afstandsbediening en kan worden geopend door in de aangegeven richting te schuiven. Er worden bevat twee AAA-batterijen meegeleverd die u voor het gebruik in het batterijvak moet plaatsen. Zorg ervoor dat de batterijen met de juiste polariteit worden geplaatst. De aangegeven polariteit (+ / -) is in het batterijvak gemarkeerd.

Waarschuwing



- Sluit het product alleen aan op een daarvoor geschikt en intact stopcontact. Het stopcontact moet in de buurt van het product zijn aangebracht en goed bereikbaar zijn.
- Het product met behulp van de schakelaar In/Uit van het net scheiden – indien deze niet ter beschikking is, de stekker uit het stopcontact trekken.
- Let erop dat bij meervoudige stopcontacten de aangesloten verbruikers niet het toegestane totale opgenomen vermogen overschrijden.
- Indien het product gedurende langere tijd niet wordt gebruikt, dan dient u dit van het spanningsnet te scheiden.

Inschakelen

- Sluit het netsnoer van de luidspreker op een deugdelijk geïnstalleerd stopcontact aan.
- De luidspreker wordt automatisch ingeschakeld.

Aanwijzing – bij de eerste maal inschakelen



- Wanneer de luidspreker voor het eerst wordt ingeschakeld, bevindt deze zich in de modus "Eerste instelling van het apparaat" en knipperen de status-leds (1-5).
- Als de instelmodus niet actief is, drukt u kort op de [SETUP]-toets (2) op de achterkant van het apparaat om de WPS-modus te activeren (knippert snel). U kunt ook de [SETUP]-toets (2) ongeveer 7 seconden ingedrukt houden om een AccessPoint te openen (knippert langzaam).
- Bij opnieuw inschakelen knipperen alle status-leds (1-5) oranje totdat de voorgaande verbindingen zijn hersteld. Dit kan afhankelijk van de signaalsterkte van internet tot 20 seconden duren.

Inschakelen/uitschakelen/stand-by

- Druk op [POWER] (1) om de luidspreker in te schakelen. U kunt ook op [POWER] (1) op afstandsbediening drukken.
- Druk nogmaals op [POWER] (1) op het apparaat of op de afstandsbediening om de luidspreker uit te schakelen. (Stand-by)

Aanwijzing



- Als u de luidspreker volledig wilt uitschakelen, koppelt u deze los van de voeding.

Volume aanpassen/Mute

- Druk op [VOLUME -/+] om het volume te verlagen/verhogen.
- Druk op [MUTE] (2) op de afstandsbediening om de luidspreker uit te schakelen.
- Druk nogmaals op [MUTE] (2), om het volume weer in te stellen op het eerdere niveau.

5. Instellen van de luidspreker

Aanwijzing



- Om van alle functies van het product gebruik te kunnen maken, dient bovendien de Amazon Alexa app te worden gedownload, evenals een Amazon account te worden aangemaakt. Volg hiervoor de aanwijzingen in de Amazon Alexa app op. Meer informatie over dit onderwerp vindt u onder www.amazon.com.

5.1 Downloaden van de Hama Smart Audio app

Aanwijzing



De volgende besturingssystemen worden ondersteund:

- iOS 8 of hoger
- Android 4.4.2 of hoger
- Open de iTunes AppStore of Google Play Store op uw smartphone.
- Gebruik de zoekterm "Hama Smart Audio".
- De app zoals gebruikelijk downloaden en deze op uw smartphone installeren. Volg hiervoor de aanwijzingen van uw smartphone op.

5.2 Het apparaat de eerste maal configureren met de Hama Smart Audio app (ALEXA-functie)

Aanwijzing - WLAN (draadloos netwerk)



- Controleer of de router is ingeschakeld en er een verbinding met het internet/netwerk is.
- Activeer, indien dit nog niet is gedaan, de WLAN-verbinding van uw router.
- Raadpleeg bij vragen over de configuratie van de router de handleiding van de router voor het oplossen van problemen.
- Controleer of de luidspreker zich in de wifi Pairingmodus bevindt. De status-leds (1-5) knipperen.
- Controleer of de Hama Smart Audio-app op uw smartphone is geïnstalleerd en alle updates zijn geïnstalleerd.
- Open de Hama Smart Audio-app en raak

[CONFIGUREREN] aan.

- Raak vervolgens [Meer luidsprekers toevoegen] aan.
- Open de wifi-instellingen van uw smartphone via [Instellingen openen].
- Zoek in de wifi-instellingen van uw smartphone naar de luidspreker Hama SIRIUM2000AMBT/SIRIUM2100AMBT.

Aanwijzing



- De luidspreker maakt een eigen wifi-netwerk met de naam SIRIUMSetup en de eerste zes cijfers van het MAC-adres. (bijv. SIRIUMSetup_E69EBB) Deze wifi vereist geen wachtwoord
- Verbind uw smartphone met de luidspreker.
- Ga nu terug naar de Hama Smart Audio-app op uw smartphone.
- Kies de gewenste wifi-naam (SSID) waarmee u de luidspreker wilt verbinden.
- Voer zo nodig uw netwerksleutel in en bevestig met [Opslaan].
- Bevestig de geselecteerde instellingen door aanraken van [BEVESTIGEN].
- De luidspreker maakt nu verbinding met het netwerk. Na een succesvolle verbinding wordt "Luidspreker succesvol geconfigureerd" op de smartphone weergegeven.
- De leds gaan na enkele seconden uit.

Aanwijzing



- Bij iOS kan het voorkomen dat de app nu wordt gesloten en opnieuw moet worden opgestart. Neem hierna de volgende twee stappen.
- De ingestelde soundbar moet nu in het hoofdmenu worden weergegeven. Druk op het pictogram van de luidspreker.
- Raak [Bronnen] onderaan het scherm aan om verbinding te maken met uw Amazon-account.
- Raak vervolgens de knop [Amazon Alexa] aan.

- Raak [Aanmelden met Amazon] aan om de webbrowser te openen om uw inloggegevens in te voeren.

Aanwijzing



- Als de Amazon Shopping-app al op uw smartphone is geïnstalleerd en ingesteld, worden de volgende stappen overgeslagen.
- Voer de inloggegevens van uw Amazon-account in met het toetsenbord van uw smartphone en bevestig de invoer met aanmelden.
- U kunt ook door aanraken van [Een nieuwe Amazon-account maken] een nieuwe Amazon-account aanmaken.
- Na succesvolle aanmelding keert u terug naar de Hama Smart Audio-app.
- Selecteer nu de taal waar Alexa in de toekomst op moet reageren.

- Open de Amazon Alexa-app en voer eventueel uw inloggegevens opnieuw in. U vindt de luidspreker vervolgens bij uw actieve apparaten.
- Maak vervolgens uw persoonlijke instellingen (tijdzone, apparaatnaam, etc.) in de Amazon Alexa-app. Meer informatie vindt u op www.amazon.de -> Hulp en klantenservice.

Aanwijzing

- Als de Amazon Market-app al op uw smartphone is geïnstalleerd en ingesteld, dan nemen sommige smartphones de gebruikersgegevens rechtstreeks vanuit de app over.
- Om een nieuw Amazon-account in te stellen, meldt u zich af en herhaalt u de stappen in dit hoofdstuk.

Aanwijzing Alexa Push to talk/ Function Key

- Druk kort op de [Actie]-toets (4) op de luidspreker om Alexa te activeren tijdens audiogebruik of om het volume te verhogen. U kunt ook op [Actie]-toets (3) op afstandsbediening drukken.
- Druk op de [Microfoon-mute]-toets (3) om de microfoons uit te schakelen. Als de microfoons zijn gedeactiveerd, branden de status-leds (1-5) permanent rood. U kunt ook op [Microfoon-mute]-toets(4) op afstandsbediening drukken.
- De luidspreker reageert nu niet meer op het activeringswoord totdat de microfoons opnieuw worden geactiveerd.
- Druk opnieuw op de [Microfoon-mute]-toets(3) om de microfoons opnieuw te activeren. U kunt ook op [Microfoon-mute]-toets (4) op afstandsbediening drukken. De status-leds (1-5) doven.

6. De eerste maal een Bluetooth-verbinding tot stand brengen (pairing/koppelen)

Via Bluetooth kunt u uw eindapparaten met de luidspreker verbinden en deze gebruiken als player voor audiosignalen. De bediening van het afspeleln vindt plaats op het eindapparaat of via de afstandsbediening. Het geluidsvolume kan ook direct op de luidspreker worden geregeld.

Aanwijzing – Bluetooth®

- Controleer of uw mobiele eindtoestel (smartphone, tablet-pc, enz.) is uitgerust met een Bluetooth-functie.
- Houd er rekening mee dat het bereik van *Bluetooth*® max. 10 meter bedraagt, zonder hindernissen zoals wanden, personen, enz.
- Het kan gebeuren dat de verbinding wordt verstoord door andere *Bluetooth*®-apparatuur/verbindingen in de omgeving.
- De luidspreker kan altijd maar aan één eindapparaat worden gekoppeld.
- Houd er rekening mee dat de compatibiliteit afhankelijk is van de ondersteunde *Bluetooth*® profielen en de gebruikte *Bluetooth*® versies. (zie: technische gegevens, bedieningsinstructies van het gebruikte eindtoestel)

- Controleer of uw eindapparaat met Bluetooth-functie is ingeschakeld en dat de Bluetooth-functie is geactiveerd.
- Activeer door herhaaldelijk drukken op de [SOURCE]-toets (2) op de luidspreker de Bluetooth-modus.
- U kunt ook op [Bluetooth] (13) op afstandsbediening drukken.
- De status-led Bluetooth (4) begint blauw te knippen.
- Houd de [SOURCE]-toets (2) ongeveer 2 seconden ingedrukt om de Pairing-modus te activeren. De status-led Bluetooth (4) begint blauw te knippen en er klinkt een pieptoon.
- Open de Bluetooth-instellingen op uw eindapparaat en wacht totdat in de lijst van gevonden Bluetooth-apparatuur Hama SIRIUM2000AMBT/SIRIUM2100AMBT wordt weergegeven.
- Start zo nodig het zoeken naar Bluetooth-apparatuur op uw eindapparaat.
- Selecteer de luidspreker Hama SIRIUM2000AMBT/SIRIUM2100AMBT in de lijst van beschikbare apparatuur en wacht totdat de luidspreker als zijnde verbonden in de Bluetooth-instellingen van uw eindapparaat wordt weergegeven.
- Het statusledje Bluetooth (4) brandt nu continu blauw.
- Start en regel het afspeleln van audio via het eindapparaat of de afstandsbediening.

Aanwijzing – Bluetooth®-wachtwoord

Sommige toestellen hebben voor het tot stand brengen van de verbinding met een ander *Bluetooth*®-toestel een wachtwoord nodig.

- Voer voor de verbinding met de luidspreker het wachtwoord **0000** in, indien uw toestel de invoer van een wachtwoord verlangt.

7. Verbinding via Optical IN

Via de digitale audio-ingang van de luidspreker kunt u uw eindapparaat (bijvoorbeeld een tv-toestel) aansluiten en het audiosignaal ervan via de luidspreker afspelen.

Aanwijzing



- Schakel de luidspreker uit voordat u een eindapparaat aansluit.
- Verwijder voor het aansluiten de beschermkapjes aan beide uiteinden van de optische signaalkabel.
- Knik of klem de kabel niet.

- Voor weergave via de optische audio-aansluiting sluit u een optische signaalkabel aan op de optische audio-ingang van de luidspreker en op de optische audio-uitgang van uw eindapparaat en selecteert u de optische modus.
- Houd [POWER] (1) ongeveer 3 seconden ingedrukt om de luidspreker in te schakelen.
- Activeer door herhaaldelijk drukken op de [SOURCE]-toets (2) op de luidspreker de optische modus.
- De status-led Optical (4) brandt paars wanneer de optische modus is geactiveerd.
- U kunt ook op [Optical IN] (12) op afstandsbediening drukken.

8. Verbinding via Auxiliary In/Auxiliary Out

Met de analoge audio-ingang kunt u mobiele apparaten (zoals een smartphone, tablet-pc, MP3-speler etc.) en oudere analoge bronnen (cd/dvd-spelers, etc.) met de luidspreker verbinden en het audiosignaal ervan via de luidspreker afspelen. Hierbij hebt u een aansluitmogelijkheid via een 3,5 mm audiokabel (jackkabel).

Op de analoge audio-uitgang (5) kunnen extra luidsprekers worden aangesloten die eveneens het audiosignaal weergeven.

Aanwijzing



- Schakel de luidspreker uit voordat u een eindapparaat aansluit.
- Knik of klem de kabel niet.

- Voor afspelen via de AUX-in-aansluiting sluit u uw apparaat via de AUX-In-aansluiting (4) met een 3,5-mm audiokabel (jackkabel) aan op de luidspreker en selecteert u de AUX-modus.
- Voor afspelen via de AUX-Out-aansluiting sluit u bijvoorbeeld extra luidsprekers/een versterker via de AUX-Out-aansluiting (5) met een 3,5-mm audiokabel (jackkabel) aan op de luidspreker en selecteert u de AUX-modus.
- Druk op [POWER] (1) om de luidspreker in te schakelen.
- Activeer door herhaaldelijk drukken op de [SOURCE]-toets (2) op de luidspreker de AUX-modus.

- De status-led (4) brandt cyaan wanneer de AUX-modus is geselecteerd.
- Start en regel het afspelen van audio via het aangesloten eindapparaat.
- U kunt ook op [LINE IN] (14) op afstandsbediening drukken.

9. Fabrieksinstellingen

Om de luidspreker te resetten naar de fabrieksinstellingen (toestand bij de levering), gaat u als volgt te werk:

- Houd de toetsen [SETUP] (2) en [Actie] (4) ca. 6 seconden ingedrukt om de luidspreker naar de fabrieksinstellingen te resetten.
- Na succesvol resetten wordt de luidspreker opnieuw gestart.

Aanwijzing



- Problemen en storingen kunnen mogelijk worden opgelost door de fabrieksinstellingen in te stellen.
- De equalizer-instellingen, uw favorieten en de opgeslagen netwerkprofielen worden echter wel permanent verwijderd.

10. Onderhoud en verzorging

- Reinig dit product alleen met een pluisvrije, iets vochtige doek en gebruik geen agressieve reinigers.
- Indien u het product gedurende langere tijd niet gebruikt, dan schakelt u het toestel uit en trekt de stekker uit het stopcontact. Berg het toestel op een schone, droge plaats op alwaar het niet aan direct zonnestraling wordt blootgesteld.

11. Uitsluiting van garantie en aansprakelijkheid

Hama GmbH & Co. KG aanvaardt geen enkele aansprakelijkheid of garantieclaims voor schade of gevolgschade, welke door ondeskundige installatie, montage en ondeskundig gebruik van het product ontstaan of het resultaat zijn van het niet in acht nemen van de bedieningsinstructies en/of veiligheidsinstructies.

12. Conformiteitsverklaring

CE Hierbij verklaar ik, Hama GmbH & Co KG, dat het type radioapparatuur [00054881, 00054882, 00054886, 00054887] conform is met Richtlijn 2014/53/EU. De volledige tekst van de EU-conformiteitsverklaring kan worden geraadpleegd op het volgende internetadres:
www.hama.com -> 00054881, 00054882, 00054886, 00054887 -> Downloads.

Frequentieband(en)	Bluetooth: 2.402 GHz - 2.480 GHz WiFi: 2.402 GHz – 2.480 GHz WiFi: 2.412 GHz – 2.483 GHz WiFi: 5.150 GHz – 5.350 GHz WiFi: 5.470 GHz – 5.725 GHz
Maximaal radiofrequent vermogen	Bluetooth: 4 dBm (EIRP) WiFi: 2.4 GHz / 19.5 dBm (EIRP) WiFi: 5 GHz / 16.5 dBm (EIRP)

Beperkingen of voorschriften in

België, Bulgarije, Tsjechische Republiek, Denemarken, Duitsland, Estland, Ierland, Griekenland, Spanje, Frankrijk, Kroatië, Italië, Cyprus, Letland, Litouwen, Luxemburg, Hongarije, Malta, Nederland, Oostenrijk, Polen, Portugal, Roemenië, Slovenië, Slowakije, Finland, Zweden, Verenigd Koninkrijk

Aanwijzing



Indien de kanalen 36-64 (frequentie 5,150 GHz – 5,350 GHz) in een 5 GHz WLAN worden gebruikt, dan mag het product alleen in gesloten ruimtes worden gebruikt.

Στοιχεία χειρισμού και ενδείξεις**A. Πίνακας ελέγχου ηχείου**

1. Πλήκτρο [POWER]
2. Πλήκτρο [SOURCE]
3. Πλήκτρο [MICROPHONE-Mute]
4. Πλήκτρο [ACTION]
5. Πλήκτρο [VOLUME] –
6. Πλήκτρο [VOLUME] +

B. Μπροστινή πλευρά

1. Λυχνίες κατάστασης LED 1–5
2. Ενημέρωση λυχνιών κατάστασης LED

C. Πίσω πλευρά

1. Σπείρωμα για επιτοίχια στήριξη
2. Πλήκτρο [SETUP]
3. Υποδοχή Optical-In
4. Υποδοχή AUX-In
5. Υποδοχή AUX-Out
6. USB (αναπαραγωγή και ενημέρωση)
7. Καλώδιο τροφοδοσίας

D. Τηλεχειριστήριο

1. Ενεργοποίηση
2. Σίγαση ηχείου
3. Ενέργεια
4. Σίγαση μικροφώνου
5. Μπάσο +
6. Μπάσο –
7. Ένταση +
8. Ένταση –
9. EQ1 (Κανονικό)
10. χωρίς λειτουργία
11. EQ2 (MyEQ)
12. Optical IN
13. Bluetooth
14. Line-IN
15. Προηγούμενο
16. Αναπαραγωγή/Παύση
17. Επόμενο
18. Σύζευξη

Σημαντική υπόδειξη - Εγχειρίδιο χειρισμού:

- Αυτό είναι ένας σύντομος οδηγός που σας παρέχει σημαντικές πληροφορίες όπως οδηγίες ασφαλείας και οδηγίες έναρξης χρήσης της συσκευής.
- Για λόγους προστασίας του περιβάλλοντος και εξοικονόμησης πολύτιμων πρώτων υλών η εταιρεία Hama δεν παρέχει εκτυπωμένο εγχειρίδιο χειρισμού και το προσφέρει αποκλειστικά ως αρχείο PDF για ηλεκτρονική λήψη από τη διεύθυνση www.hama.com.
- Για εύκολη ανεύρεση χρησιμοποιήστε τη λειτουργία αναζήτησης και ως λήμμα δώστε τον κωδικό συσκευής ώστε να εντοπίσετε το εγχειρίδιο της συσκευής.
- Αποθηκεύστε αυτό το εγχειρίδιο στον υπολογιστή σας και εκτυπώστε το εφόσον το επιθυμείτε.

1. Επεξήγηση συμβόλων προειδοποίησης και υποδείξεων**Κίνδυνος ηλεκτροπληξίας**

Αυτό το σύμβολο προειδοποιεί για κίνδυνο από επαφή με μη μονωμένα εξαρτήματα του προϊόντος, τα οποία μπορεί να φέρουν τόση τάση ώστε να προκληθεί ηλεκτροπληξία.

Προειδοποίηση

Χρησιμοποιείται για τη σήμανση υποδείξεων ασφαλείας ή για να επιστήσει την προσοχή σε ιδιαίτερους κινδύνους.

Υπόδειξη

Χρησιμοποιείται για τη σήμανση επιπλέον πληροφοριών ή σημαντικών υποδείξεων.

2. Περιεχόμενα συσκευασίας

- ξύπνο ηχείο Hama SIRIUM2000AMBT/SIRIUM2100AMBT
- τροφοδοτικό
- τηλεχειριστήριο SRC-1805-Layout B
- 2 μπαταρίες AAA
- οδηγός γρήγορης έναρξης

3. Υποδείξεις ασφαλείας

- Το προϊόν προορίζεται για χρήση εντός κτιρίων.
- Η συσκευή προορίζεται για οικιακή χρήση και όχι για επαγγελματική.
- Προστατεύετε τη συσκευή από βρομιά, υγρασία και υπερθέρμανση και χρησιμοποιείτε τη μόνο σε στεγνούς χώρους.
- Αυτή η συσκευή όπως και οι άλλες ηλεκτρικές συσκευές δεν είναι παιχνίδι για τα παιδιά!
- Η συσκευή δεν επιτρέπεται να πέφτει κάτω, ούτε και να δέχεται δυνατά χτυπήματα.
- Μην χρησιμοποιείτε τη συσκευή εκτός των ορίων απόδοσης που περιγράφονται στα τεχνικά χαρακτηριστικά.
- Τα παιδιά δεν επιτρέπεται να έρχονται σε επαφή με τα υλικά της συσκευασίας, υπάρχει κίνδυνος ασφυξίας.
- Απορρίψτε κατευθείαν τα υλικά συσκευασίας σύμφωνα με τους ισχύοντες τοπικούς κανονισμούς απόρριψης.
- Μην κάνετε μετατροπές στη συσκευή. Σε τέτοια περίπτωση η εγγύηση παύει να ισχύει.

Κίνδυνος ηλεκτροπληξίας



- Μην ανοίγετε τη συσκευή και μην τη χρησιμοποιείτε αν χαλάσει.
- Μην χρησιμοποιείτε τη συσκευή αν έχουν υποστεί ζημιά ο μετασχηματιστής, το καλώδιο του μετασχηματιστή ή το καλώδιο του ρεύματος.
- Μην επιχειρήσετε να συντηρήσετε ή να επισκευάσετε τη συσκευή εσείς οι ίδιοι. Οι εργασίες συντήρησης πρέπει να γίνονται από εξειδικευμένα άτομα.

Προειδοποίηση - Μπαταρίες



- Προσέχετε οπωσδήποτε τη σωστή πολικότητα των μπαταριών (σύμβολα + και -) και την αντίστοιχη τοποθέτηση. - Η μη τήρηση μπορεί να οδηγήσει σε διαρροή υγρού ή σε έκρηξη των μπαταριών.
- Τα παιδιά δεν επιτρέπεται να αλλάζουν μπαταρίες χωρίς επίβλεψη.
- Μην μπερδεύετε παλιές και καινούριες μπαταρίες, καθώς και μπαταρίες διαφορετικού τύπου και κατασκευαστή.
- Αφαιρείτε τις μπαταρίες από συσκευές που δεν θα χρησιμοποιηθούν για μεγάλο χρονικό διάστημα.
- Μην βραχυκυκλώνετε τις μπαταρίες.
- Μην φορτίζετε τις απλές μπαταρίες.
- Μην πετάτε τις μπαταρίες στη φωτιά.
- Φυλάττε τις μπαταρίες μακριά από παιδιά.
- Αφαιρέστε και απορρίψτε τις χρησιμοποιημένες μπαταρίες αμέσως από το προϊόν.

4. Έναρξη χρήσης

Θέση τηλεχειριστηρίου σε λειτουργία

Ανοίξετε το κάλυμμα της θήκης μπαταριών. Το κάλυμμα βρίσκεται στην πίσω πλευρά του τηλεχειριστηρίου και ανοίγει, αν το σπρώξετε προς την κατεύθυνση που επισημαίνεται. Στα περιεχόμενα της συσκευασίας περιλαμβάνονται δύο μπαταρίες AAA, τις οποίες πρέπει να τοποθετήσετε στη θήκη μπαταριών για να θέσετε το τηλεχειριστήριο σε λειτουργία. Κατά την τοποθέτηση των μπαταριών, προσέξτε να τοποθετηθούν με τη σωστή πολικότητα. Η προκαθορισμένη πολικότητα (+/-) επισημαίνεται στη θήκη μπαταριών.

Προειδοποίηση



- Το προϊόν πρέπει να λειτουργεί μόνο συνδεδεμένο σε κατάλληλη πρίζα. Η πρίζα πρέπει να βρίσκεται κοντά στο προϊόν και να είναι εύκολα προσβάσιμη.
- Αποσυνδέστε το προϊόν από το ρεύμα μέσω του γενικού διακόπτη – αν δεν υπάρχει διακόπτης τραβήξτε το καλώδιο ρεύματος από την πρίζα.
- Στα πολύπριζα προσέξτε ώστε οι συνδεδεμένες συσκευές να μην ξεπερνούν την επιτρεπόμενη συνολική κατανάλωση ισχύος.
- Αποσυνδέστε το προϊόν από το δίκτυο ρεύματος, εάν δεν πρόκειται να το χρησιμοποιήσετε για μεγάλο χρονικό διάστημα.

Ενεργοποίηση

- Συνδέστε το καλώδιο τροφοδοσίας του ηχείου σε πρίζα που έχει εγκατασταθεί σωστά.
- Το ηχείο ενεργοποιείται αυτόματα.

Υπόδειξη – Κατά την πρώτη ενεργοποίηση



- Κατά την πρώτη ενεργοποίηση, το ηχείο βρίσκεται σε λειτουργία «Πρώτης εγκατάστασης της συσκευής» και οι λυχνίες κατάστασης LED (1–5) αναβοσβήνουν.
- Εάν η λειτουργία εγκατάστασης δεν είναι ενεργή, πατήστε για λίγο το πλήκτρο [SETUP] (2) στην πίσω πλευρά της συσκευής, για να ενεργοποιηθεί η λειτουργία WPS (αναβοσβήνει γρήγορα). Εναλλακτικά, πατήστε παρατεταμένα το πλήκτρο [SETUP] (2) για περ. 7 δευτερόλεπτα, για να ανοίξει ένα AccessPoint (αναβοσβήνει αργά).
- Κατά την εκ νέου ενεργοποίηση, αναβοσβήνουν όλες οι λυχνίες LED (1–5) πορτοκαλί, έως ότου να έχουν δημιουργηθεί τυχόν συνδέσεις που χρησιμοποιήθηκαν προηγουμένως. Αυτό μπορεί να διαρκέσει, ανάλογα με την ισχύ του σήματος της διαδικτυακής σύνδεσης, έως και 20 δευτερόλεπτα.

Ενεργοποίηση/Απενεργοποίηση/Αναμονή

- Πατήστε [POWER] (1) για να ενεργοποιήσετε το ηχείο. Εναλλακτικά, πατήστε [POWER] (1) στο τηλεχειριστήριο.
- Πατήστε ξανά [POWER] (1) στη συσκευή ή το τηλεχειριστήριο, για να απενεργοποιήσετε το ηχείο. (Αναμονή)

Υπόδειξη

- Για να απενεργοποιήσετε εντελώς το ηχείο, αποσυνδέστε το από την τροφοδοσία ρεύματος.

Ρύθμιση έντασης ήχου/Σίγαση

- Πατήστε [VOLUME +/-], για να μειώσετε/αυξήσετε την ένταση του ήχου.
- Πατήστε [MUTE] (2) στο τηλεχειριστήριο, για να θέσετε το ηχείο σε σίγαση.
- Πατήστε ξανά [MUTE] (2), για να επαναφέρετε την ένταση ήχου στην τιμή που είχε πριν από τη σίγαση.

5. Εγκατάσταση του ηχείου

Υπόδειξη

- Για να αξιοποιήσετε πλήρως όλες τις λειτουργίες του προϊόντος, πρέπει επίσης να κατεβάσετε την εφαρμογή Amazon Alexa και να δημιουργήσετε έναν λογαριασμό Amazon. Γι' αυτό ακολουθήστε τις οδηγίες που ορίζονται στην εφαρμογή Amazon Alexa. Για περισσότερες πληροφορίες, επισκεφτείτε τον ιστότοπο www.amazon.com.

5.1 Λήψη της εφαρμογής Hama Smart Audio

Υπόδειξη

Υποστηρίζονται τα ακόλουθα λειτουργικά συστήματα:

- iOS 8 ή νεότερη έκδοση
 - Android 4.4.2 ή νεότερη έκδοση
- Ανοίξτε το iTunes AppStore ή το Google Play Store στο smartphone σας.
 - Χρησιμοποιήστε τον όρο αναζήτησης «Hama Smart Audio».
 - Κατεβάστε την εφαρμογή όπως συνήθως και εγκαταστήστε την στο smartphone. Γι' αυτό ακολουθήστε τις οδηγίες του smartphone σας.

5.2 Πρώτη διαμόρφωση της συσκευής με την εφαρμογή Hama Smart Audio (λειτουργία ALEXA)

Υπόδειξη WLAN (ασύρματο δίκτυο)

- Βεβαιωθείτε ότι ο δρομολογητής είναι ενεργοποιημένος και ότι υπάρχει σύνδεση στο internet/δίκτυο.
- Ενεργοποιήστε τη σύνδεση WLAN του δρομολογητή σας, αν δεν είναι ήδη ενεργοποιημένη.
- Αν έχετε απορίες σχετικά με τη ρύθμιση του δρομολογητή, ανατρέξτε στις οδηγίες λειτουργίας του δρομολογητή για αναζήτηση σφαλμάτων/αντιμετώπιση προβλημάτων.

- Βεβαιωθείτε ότι το ηχείο βρίσκεται στη λειτουργία Σύζευξης WLAN. Οι λυχνίες κατάστασης LED (1–5) αναβοσβήνουν.
- Βεβαιωθείτε ότι έχετε εγκαταστήσει στη συσκευή σας την εφαρμογή Hama Smart Audio και ότι έχουν εγκατασταθεί όλες οι ενημερώσεις.
- Ανοίξτε την εφαρμογή Hama Smart Audio και πατήστε [CONFIGURE].
- Στη συνέχεια πατήστε [Add More Speakers].
- Ανοίξτε τις ρυθμίσεις WLAN του smartphone σας, πατώντας [OPEN Settings].
- Στις ρυθμίσεις WLAN του smartphone σας αναζητήστε το ηχείο Hama SIRIUM2000AMBT/SIRIUM2100AMBT.

Υπόδειξη

- Το ηχείο δημιουργεί ένα δικό του δίκτυο WLAN με την ονομασία SIRIUMSetup και τα πρώτα έξι στοιχεία της διεύθυνσης MAC. (π.χ. SIRIUMSetup_E69E8B). Αυτό το δίκτυο WLAN δεν χρειάζεται κωδικό πρόσβασης.
- Συνδέστε το smartphone σας με το ηχείο.
- Επιστρέψτε στην εφαρμογή Hama Smart Audio στο smartphone σας.
- Διαλέξτε το επιθυμητό όνομα WLAN (SSID) με το οποίο θέλετε να συνδέσετε το ηχείο.
- Αν χρειάζεται, πληκτρολογήστε τον κωδικό πρόσβασης του δικτύου σας και επιβεβαιώστε, πατώντας [Save].
- Επιβεβαιώστε τις επιλεγμένες ρυθμίσεις, πατώντας [CONFIRM].
- Το ηχείο συνδέεται με το δίκτυο. Μετά την επιτυχή σύνδεση, εμφανίζεται το μήνυμα «Η διαμόρφωση του ηχείου ήταν επιτυχής» στο smartphone.
- Οι λυχνίες LED σβήνουν μετά από λίγα δευτερόλεπτα.

Υπόδειξη



- Σε λογισμικό iOS, η εφαρμογή ενδέχεται να κλείσει και να ανοίξει ξανά. Ακολουθήστε στη συνέχεια τα εξής δύο βήματα.
- Το ρυθμισμένο soundbar πρέπει να εμφανίζεται τώρα στο βασικό μενού. Πατήστε το εικονίδιο του ηχείου.
- Πατήστε **[Sources]** στο κάτω μέρος της οθόνης, για να δημιουργηθεί σύνδεση με τον Amazon λογαριασμό σας.
- Στη συνέχεια πατήστε το κουμπί **[Amazon Alexa]**.

- Πατήστε **[Sign in with Amazon]**, για να ανοίξει το πρόγραμμα περιήγησης για την καταχώριση των στοιχείων πρόσβασης.

Υπόδειξη



- Αν η εφαρμογή Amazon Shopping είναι ήδη εγκατεστημένη στο smartphone σας, τα παρακάτω βήματα παραλείπονται.
- Πληκτρολογήστε στο smartphone σας τα στοιχεία πρόσβασης του Amazon λογαριασμού σας και επιβεβαιώστε την καταχώριση με τη σύνδεσή σας.
- Διαφορετικά, μπορείτε να πατήσετε **[Create a new Amazon account]**, για να δημιουργήσετε έναν νέο λογαριασμό Amazon.

- Αφού συνδεθείτε, μεταφέρεστε ξανά στην εφαρμογή Hama Smart Audio.
- Επιλέξτε τη γλώσσα στην οποία θα πρέπει να ανταποκρίνεται η Alexa.
- Ανοίξτε την εφαρμογή Amazon Alexa και, αν χρειάζεται, πληκτρολογήστε ξανά τα στοιχεία πρόσβασής σας. Το ηχείο πρέπει να εμφανίζεται συνδεδεμένο με τις ενεργές συσκευές σας.
- Στη συνέχεια, διαμορφώστε τις προσωπικές ρυθμίσεις σας (ζώνη ώρας, όνομα συσκευής κ.τ.λ.) στην εφαρμογή Amazon Alexa. Μπορείτε να βρείτε περισσότερες πληροφορίες στη διεύθυνση www.amazon.com -> Help and customer service

Υπόδειξη



- Εάν υπάρχει ήδη εγκατεστημένη η εφαρμογή Amazon Market, ορισμένα smartphone ανακαλούν τα στοιχεία χρήστη απευθείας από την εφαρμογή.
- Για να δημιουργήσετε έναν νέο λογαριασμό Amazon, απουσιάζετε και επαναλάβετε τα βήματα που περιγράφονται σε αυτό το κεφάλαιο.

Υπόδειξη Alexa Push to talk/ Function Key



- Πατήστε το πλήκτρο **[Action]** (4) στο ηχείο, για να ενεργοποιήσετε την Alexa κατά τη λειτουργία ήχου ή να αυξήσετε την ένταση. Εναλλακτικά, πατήστε το πλήκτρο **[Action]** (3) στο τηλεχειριστήριο.
- Πατήστε το πλήκτρο **[Microphone-Mute]** (3), για να απενεργοποιηθεί τα μικρόφωνα. Όταν τα μικρόφωνα είναι απενεργοποιημένα, οι λυχνίες κατάστασης LED (1–5) είναι διαρκώς αναμμένες κόκκινες. Εναλλακτικά, πατήστε το πλήκτρο **[Microphone-Mute]** (4) στο τηλεχειριστήριο.
- Το ηχείο δεν ανταποκρίνεται στη λέξη ενεργοποίησης, αν τα ηχεία είναι απενεργοποιημένα.
- Πατήστε ξανά το πλήκτρο **[Microphone-Mute]** (3), για να ενεργοποιήσετε ξανά τα μικρόφωνα. Εναλλακτικά, πατήστε το πλήκτρο **[Microphone-Mute]** (4) στο τηλεχειριστήριο. Οι λυχνίες κατάστασης LED (1–5) σβήνουν.

6. Πρώτη σύνδεση Bluetooth (ζεύξη)

Μέσω του Bluetooth μπορείτε να συνδέσετε την τερματική συσκευή σας με το ηχείο και να την χρησιμοποιήσετε ως συσκευή αναπαραγωγής για σήματα ήχου. Ο έλεγχος της μετάδοσης ήχου γίνεται απευθείας από τη συσκευή ή το τηλεχειριστήριο. Μπορείτε, επίσης, να ρυθμίσετε την ένταση ήχου απευθείας από το ηχείο.

Υπόδειξη – Bluetooth®



- Ελέγξτε εάν η κινητή τερματική συσκευή σας (smartphone, tablet PC, κ.λπ.) είναι συμβατή με την τεχνολογία Bluetooth.
- Λάβετε υπόψη ότι η εμβέλεια του *Bluetooth®* δεν ξεπερνά τα 10 μέτρα, χωρίς εμπόδια, όπως τοίχους, άτομα κ.λπ.
- Η σύνδεση μέσω περαιτέρω συσκευών / συνδέσεων *Bluetooth®* στο περιβάλλον ενδέχεται να δέχεται παρεμβολές.
- Το ηχείο μπορεί να συνδεθεί με μία μόνο τερματική συσκευή κάθε φορά.
- Λάβετε υπόψη ότι η συμβατότητα εξαρτάται από τα υποστηριζόμενα προφίλ *Bluetooth®* και από τις χρησιμοποιούμενες εκδόσεις *Bluetooth®*. (βλ.: Τεχνικά χαρακτηριστικά, Οδηγίες χειρισμού της χρησιμοποιούμενης συσκευής)

- Βεβαιωθείτε ότι η συσκευή σας με δυνατότητα σύνδεσης bluetooth και το bluetooth είναι ενεργοποιημένα.
- Ενεργοποιήστε τη λειτουργία Bluetooth, πατώντας επανειλημμένα το πλήκτρο **[SOURCE]** (2) στο ηχείο.
- Εναλλακτικά, πατήστε **[Bluetooth]** (13) στο τηλεχειριστήριο.

- Η λυχνία κατάστασης LED Bluetooth (4) αναβοσβήνει μπλε.
- Πατήστε και κρατήστε πατημένο το πλήκτρο [SOURCE] (2) για περ. 2 δευτερόλεπτα, για να ενεργοποιήσετε τη λειτουργία σύζευξης. Η λυχνία κατάστασης LED Bluetooth (4) αναβοσβήνει μπλε και ακούγεται ένα ηχητικό σήμα.
- Ανοίξτε τις ρυθμίσεις Bluetooth στην τερματική συσκευή σας και περιμένετε μέχρι να προβληθεί η συσκευή Hama SIRIUM2000AMBT/SIRIUM2100AMBT στη λίστα των συσκευών Bluetooth που βρέθηκαν.
- Εάν χρειάζεται, ξεκινήστε την αναζήτηση συσκευών Bluetooth στην τερματική συσκευή σας.
- Επιλέξτε το ηχείο Hama SIRIUM2000AMBT/SIRIUM2100AMBT από τη λίστα των διαθέσιμων συσκευών και περιμένετε μέχρι το ηχείο να εμφανιστεί στις ρυθμίσεις Bluetooth της τερματικής συσκευής σας ως συνδεδεμένο.
- Έπειτα, η λυχνία LED κατάστασης Bluetooth (4) θα ανάβει σταθερά με μπλε χρώμα.
- Ξεκινήστε και ρυθμίστε τη μετάδοση ήχου μέσω της συσκευής ή του τηλεχειριστηρίου.

Υπόδειξη – Κωδικός πρόσβασης Bluetooth®



Ορισμένες συσκευές χρειάζονται κωδικό πρόσβασης για τη δημιουργία σύνδεσης με άλλη συσκευή Bluetooth®.

- Για τη σύνδεση με το ηχείο, πληκτρολογήστε τον κωδικό **0000**, εφόσον σας ζητηθεί από την τερματική συσκευή σας.

7. Σύνδεση μέσω optical IN

Μπορείτε να συνδέσετε τη συσκευή σας (π.χ τηλεόραση) μέσω της ψηφιακής εισόδου ήχου του ηχείου, για να μεταδίδεται το ηχητικό σήμα της μέσω του ηχείου.

Υπόδειξη



- Απενεργοποιήστε το ηχείο, προτού συνδέσετε σε αυτό μια συσκευή.
- Αφαιρέστε πριν τη σύνδεση τα προστατευτικά καπάκια από τις δύο άκρες του οπτικού καλωδίου μετάδοσης σήματος.
- Μην τσακίζετε και μην μαγκώνετε το καλώδιο.

- Για μετάδοση μέσω του οπτικού καλωδίου ήχου, πρέπει να συνδέσετε ένα οπτικό καλώδιο μετάδοσης σήματος στην οπτική είσοδο ήχου του ηχείου και στην οπτική έξοδο ήχου της συσκευής σας και να επιλέξετε τη λειτουργία Οπτικής Μετάδοσης.
- Πατήστε και κρατήστε πατημένο το πλήκτρο [POWER] (1) για περ. 3 δευτερόλεπτα, για να ενεργοποιήσετε το ηχείο.
- Ενεργοποιήστε τη λειτουργία Οπτικής Μετάδοσης, πατώντας επανειλημμένα το πλήκτρο [SOURCE] (2) στο ηχείο.

- Η λυχνία κατάστασης LED Optical (4) ανάβει μοβ, όταν έχει ενεργοποιηθεί η λειτουργία Οπτικής Μετάδοσης.
- Εναλλακτικά, πατήστε [Optical IN] (12) στο τηλεχειριστήριο.

8. Σύνδεση μέσω Auxiliary In / Auxiliary Out

Μπορείτε να συνδέσετε κινητές συσκευές (π.χ. smartphone, tablet PC, MP3 player κ.τ.λ.) και παλαιότερες αναλογικές πηγές ήχου (CD/DVD player κ.τ.λ.) στο ηχείο μέσω της αναλογικής εισόδου ήχου, για να μεταδίδεται το ηχητικό σήμα τους μέσω του ηχείου. Υπάρχει δυνατότητα σύνδεσης μέσω καλωδίου ήχου 3,5 mm.

Μπορείτε να συνδέσετε και άλλα ηχεία μέσω της αναλογικής εξόδου ήχου (5), για να μεταδίδεται το ηχητικό σήμα μέσω των ηχείων.

Υπόδειξη



- Απενεργοποιήστε το ηχείο, προτού συνδέσετε σε αυτό μια συσκευή.
- Μην τσακίζετε και μην μαγκώνετε το καλώδιο.

- Για μετάδοση του ήχου μέσω της υποδοχής AUX-In, συνδέστε τη συσκευή σας μέσω καλωδίου ήχου 3,5 mm στην υποδοχή AUX-In (4) με το ηχείο και επιλέξτε τη λειτουργία AUX.
- Για μετάδοση του ήχου μέσω της υποδοχής AUX-Out, συνδέστε π.χ. και άλλα ηχεία/ενισχυτή μέσω ενός καλωδίου ήχου 3,5 mm στην υποδοχή AUX-Out (5) με το ηχείο και επιλέξτε τη λειτουργία AUX.
- Πατήστε [POWER] (1) για να ενεργοποιήσετε το ηχείο.
- Ενεργοποιήστε τη λειτουργία AUX, πατώντας επανειλημμένα το πλήκτρο [SOURCE] (2) στο ηχείο.
- Η λυχνία κατάστασης LED (4) ανάβει γαλάζια, όταν έχει επιλεγεί η λειτουργία AUX.
- Ξεκινήστε και ρυθμίστε τη μετάδοση ήχου μέσω της συνδεδεμένης συσκευής.
- Εναλλακτικά, πατήστε [LINE-IN] (14) στο τηλεχειριστήριο.

9. Εργοστασιακή ρύθμιση

Για να επαναφέρετε το ηχείο στην εργοστασιακή ρύθμιση (κατάσταση κατά την παράδοση), ακολουθήστε τα εξής βήματα:

- Πατήστε και κρατήστε πατημένα τα πλήκτρα [SETUP] (2) και [Action] (4) για περ. 6 δευτερόλεπτα, για να επαναφέρετε το ηχείο στις εργοστασιακές ρυθμίσεις.
- Μετά την επιτυχή επαναφορά στις εργοστασιακές ρυθμίσεις, το ηχείο ενεργοποιείται ξανά.

Υπόδειξη



- Τυχόν προβλήματα και ελαττωματικές λειτουργίες μπορούν να επιλυθούν με την επαναφορά στις εργοστασιακές ρυθμίσεις.
- Ωστόσο, θα χαθούν όλες οι προεπιλεγμένες ρυθμίσεις, όπως ισοσταθμιστής, αγαπημένα και προφίλ δικτύου.

10. Συντήρηση και φροντίδα

- Καθαρίζετε αυτή τη συσκευή μόνο με ένα ελαφρώς βρεγμένο πανί χωρίς χνούδια και μην χρησιμοποιείτε καυστικά καθαριστικά.
- Αν πρόκειται να μη χρησιμοποιήσετε τη συσκευή για μεγάλο διάστημα απενεργοποιήστε την και αποσυνδέστε τη από το ηλεκτρικό ρεύμα. Φυλάσσετε τη σε καθαρό, ξηρό μέρος χωρίς κατευθείαν ηλιακή ακτινοβολία.

11. Απώλεια εγγύησης

Η εταιρεία Hama GmbH & Co KG δεν αναλαμβάνει καμία ευθύνη ή εγγύηση για ζημιές, οι οποίες προκύπτουν από λανθασμένη εγκατάσταση και συναρμολόγηση ή λανθασμένη χρήση του προϊόντος ή μη τήρηση των οδηγιών λειτουργίας και/ή των υποδείξεων ασφαλείας.

12. Δήλωση συμμόρφωσης

CE Με την παρούσα ο/η Hama GmbH & Co KG, δηλώνει ότι ο ραδιοεξοπλισμός [00054881, 00054882, 00054886, 00054887] πληροί την οδηγία 2014/53/EE. Το πλήρες κείμενο της δήλωσης συμμόρφωσης EE διατίθεται στην ακόλουθη ιστοσελίδα στο διαδίκτυο: www.hama.com -> 00054881, 00054882, 00054886, 00054887 -> Downloads.

Ζώνη συχνότητων/Ζώνες συχνότητων	Bluetooth: 2.402 GHz - 2.480 GHz WiFi: 2.402 GHz – 2.480 GHz WiFi: 2.412 GHz – 2.483 GHz WiFi: 5.150 GHz – 5.350 GHz WiFi: 5.470 GHz – 5.725 GHz
Μέγιστη εκπεμπόμενη ισχύς	Bluetooth: 4 dBm (EIRP) WiFi: 2.4 GHz / 19.5 dBm (EIRP) WiFi: 5 GHz / 16.5 dBm (EIRP)

Περιορισμοί ή απαιτήσεις

Βέλγιο, Βουλγαρία, Τσεχική Δημοκρατία, Δανία, Γερμανία, Εσθονία, Ιρλανδία, Ελλάδα, Ισπανία, Γαλλία, Κροατία, Ιταλία, Κύπρος, Λετονία, Λιθουανία, Λουξεμβούργο, Ουγγαρία, Μάλτα, Ολλανδία, Αυστρία, Πολωνία, Πορτογαλία, Ρουμανία, Σλοβενία, Σλοβακία, Φινλανδία, Σουηδία, Ηνωμένο Βασίλειο

Υπόδειξη



Όταν χρησιμοποιούνται τα κανάλια 36-64 (συχνότητες 5,150 GHz – 5,350 GHz) στη ζώνη 5G Hz WLAN, μπορείτε να συνδέσετε το προϊόν μόνο σε κλειστούς χώρους.

Elementy obsługi i sygnalizacji

A. Panel sterowania głośnika

1. Przycisk [ZASILANIE]
2. Przycisk [ŻRÓDŁO]
3. Przycisk [Wycisz MIKROFON]
4. Przycisk [AKCJA]
5. Przycisk [GŁOŚNOŚĆ] –
6. Przycisk [GŁOŚNOŚĆ] +

B. Prząd

1. Dioda stanu 1–5
2. Aktualizacja diody LED stanu

C. Tył

1. Gwintowane gniazdo na uchwyt ścienny
2. Przycisk [KONFIGURACJA]
3. Gniazdo Optical In
4. Gniazdo AUX In
5. Gniazdo AUX Out
6. USB (odtwarzanie i aktualizacja)
7. Zasilanie sieciowe

D. Pilot zdalnego sterowania

1. Zasilanie
2. Wycisz głośnik
3. Akcja
4. Wycisz mikrofon
5. Bass +
6. Bass –
7. Vol +
8. Vol –
9. EQ1 (Standard)
10. bez funkcji
11. EQ2 (MyEQ)
12. Optical IN
13. Bluetooth
14. Line IN
15. Poprzedni
16. Odtwarzaj/Wstrzymaj
17. Następny
18. Parowanie

Ważna wskazówka - instrukcja obsługi:



- Dokument ten jest krótką instrukcją obsługi zawierającą istotne podstawowe informacje dotyczące np. bezpiecznego użytkowania i uruchamiania produktu.
- Ze względu na ochronę środowiska i oszczędne gospodarowanie cennymi surowcami firma Hama rezygnuje z publikowania instrukcji obsługi w formie drukowanej i udostępnia je wyłącznie jako pliki PDF / eManual do pobrania na stronie www.hama.com.
- Aby ułatwić wyszukiwanie dokumentacji produktu, należy korzystać z funkcji znajdowania z podaniem numeru artykułu.
- Zapisać instrukcję obsługi na komputerze do późniejszego użytku i w razie potrzeby wydrukować ją.

1. objaśnienie symboli ostrzegawczych i wskazówek

Ryzyko porażenia prądem elektrycznym



Symbol ten wskazuje niebezpieczeństwo dotknięcia nieizolowanych części produktu, którą mogą być pod napięciem grożącym porażeniem prądem elektrycznym.

Ostrzeżenie



Używane w celu zwrócenia uwagi na szczególnie niebezpieczeństwo lub ryzyko.

Wskazówki



Używane w celu zwrócenia uwagi na szczególnie przydatne informacje.

2. Zawartość opakowania

- głośnik Hama Smart „SIRIUM2000AMBT/ SIRIUM2100AMBT”
- zasilacz sieciowy
- pilot zdalnego sterowania SRC-1805-Layout B
- 2 x baterie AAA
- skrócona instrukcja obsługi

3. Wskazówki bezpieczeństwa

- Produkt jest przeznaczony wyłącznie do użytku wewnątrz budynków.
- Produkt jest przeznaczony do prywatnego, niekomercyjnego użytku domowego.
- Chronić produkt przed zanieczyszczeniem, wilgocią i przegrzaniem oraz stosować go tylko w suchych pomieszczeniach.
- Trzymać ten produkt, jak wszystkie urządzenia elektryczne, z dala od dzieci!
- Chronić produkt przed upadkiem i silnymi wstrząsami.
- Nie stosować produktu poza zakresem mocy podanym w danych technicznych.
- Materiały opakowaniowe trzymać koniecznie z dala od dzieci - istnieje niebezpieczeństwo uduszenia.
- Materiały opakowaniowe należy natychmiast poddać utylizacji zgodnie z obowiązującymi miejscowymi przepisami.
- Nie modyfikować urządzenia. Prowadzi to do utraty wszelkich roszczeń z tytułu gwarancji.

Ryzyko porażenia prądem elektrycznym



- Nie otwierać produktu i nie używać go, gdy jest uszkodzony.
- Nie używać produktu, jeżeli zasilacz sieciowy, kabel zasilacza bądź przewód sieciowy są uszkodzone.
- Nie próbować samodzielnie naprawiać produktu. Prace serwisowe zlecać wykwalifikowanemu personelowi fachowemu.

Ostrzeżenie - baterie



- Wkładając baterie, zwrócić koniecznie uwagę na właściwe podłączenie biegunów (znak + i -). Nieprzestrzeganie grozi wyciekami lub wybuchem baterii.
- Nie pozwalać dzieciom na wymianę baterii bez nadzoru.
- Nie mieszać starych i nowych baterii ani baterii różnych typów lub producentów.
- Jeżeli produkt nie jest używany przez dłuższy czas, należy wyjąć z niego baterie.
- Nie zwierać baterii.
- Nie ładować baterii.
- Nie wrzucać baterii do ognia.
- Przechowywać baterie poza zasięgiem dzieci.
- Natychmiast usunąć z produktu zużyte baterie i poddać je utylizacji.

4. Uruchamianie

Rozpoczęcie korzystania z pilota zdalnego sterowania

Otworzyć pokrywę komory baterii. Znajduje się ona z tyłu pilota zdalnego sterowania i można ją otworzyć poprzez przesunięcie w oznaczonym kierunku. W zakres dostawy wchodzi dwie baterie typu AAA, które do rozpoczęcia użytkowania należy zainstalować w komorze baterii. Podczas wkładania baterii należy uważać, aby były one zainstalowane przy właściwym rozmieszczeniu biegunów. Właściwe rozmieszczenie biegunów (+/-) jest zaznaczone w komorze baterii.

Ostrzeżenie



- Podłączać produkt tylko do odpowiedniego gniazda wtykowego. Gniazdo wtykowe musi znajdować się w pobliżu produktu i być łatwo dostępne.
- Odłączyć produkt od sieci za pomocą wyłącznika zasilania – jeżeli nie jest na wyposażeniu, wyciągnąć przewód sieciowy z gniazda wtykowego.
- W przypadku korzystania z listwy zasilającej należy koniecznie sprawdzić, czy całkowity pobór mocy wszystkich podłączonych urządzeń nie przekracza całkowitej mocy znamionowej listwy.
- Jeśli urządzenie nie będzie używane przez dłuższy okres, należy odłączyć je od źródła zasilania.

Włączenie

- Podłączyć przewód zasilający głośnika do prawidłowo zainstalowanego gniazda elektrycznego.
- Głośnik włącza się automatycznie.

Wskazówka – pierwsze włączenie



- Po włączeniu po raz pierwszy głośnik znajduje się w trybie „Wstępna konfiguracja urządzenia”, a diody LED stanu (1–5) pulsują.
- Jeśli tryb konfiguracji będzie nieaktywny, należy krótko nacisnąć przycisk [KONFIGURACJA] (2) z tyłu urządzenia, aby aktywować tryb WPS (diody pulsują szybko). Ewentualnie można nacisnąć przycisk [KONFIGURACJA] (2) i przytrzymać go przez ok. 7 sekund, aby otworzyć punkt dostępu (diody pulsują powoli).
- Po ponownym włączeniu wszystkie diody LED stanu (1–5) będą migły na pomarańczowo, aż do ponownego ustanowienia poprzednio nawiązanego połączenia. W zależności od siły sygnału internetowego może to trwać do 20 sekund.

Włączanie/wyłączanie/tryb gotowości

- Nacisnąć przycisk [ZASILANIE] (1), aby włączyć głośnik. Ewentualnie można nacisnąć przycisk [ZASILANIE] (1) na pilocie zdalnego sterowania.
- Ponownie nacisnąć przycisk [ZASILANIE] (1) w urządzeniu lub na pilocie zdalnego sterowania, aby włączyć głośnik. (Tryb gotowości)

Wskazówki

- Aby całkowicie wyciszyć urządzenie, należy odłączyć je od źródła prądu.

Regulacja głośności/wyciszenie

- Nacisnąć przyciski [GŁOŚNOŚĆ -/+], aby zmniejszyć/zwiększyć głośność.
- Nacisnąć przycisk [🔊] (2) na pilocie zdalnego sterowania, aby wyciszyć głośnik.
- Ponownie nacisnąć przycisk [🔊] (2), aby przywrócić poziom głośności sprzed wyciszenia.

5. Konfiguracja głośnika

Wskazówki

- W celu wykorzystania wszystkich możliwości funkcji produktu należy dodatkowo pobrać aplikację Amazon Alexa oraz utworzyć konto na stronie Amazon. W tym celu postępować zgodnie ze wskazówkami wyświetlanymi w aplikacji Amazon Alexa. Więcej informacji można uzyskać na stronie www.amazon.com.

5.1 Pobieranie aplikacji Hama Smart Audio

Wskazówki

- Obsługiwane są następujące systemy operacyjne:
- iOS 8 lub wyższy
 - Android 4.4.2 lub wyższy

- Otworzyć iTunes AppStore lub Google Play Store na smartfonie.
- Użyć pojęcia wyszukiwania „Hama Smart Audio”.
- Pobrać aplikację w standardowy sposób i zainstalować ją na smartfonie. Postępować zgodnie ze wskazówkami wyświetlanymi na ekranie smartfona.

5.2 Pierwsza konfiguracja urządzenia za pomocą aplikacji Hama Smart Audio (funkcja ALEXA)

Wskazówki - WLAN (sieć bezprzewodowa)

- Prosimy sprawdzić, czy router jest włączony i działa prawidłowo i czy połączenie z internetem jest aktywne.
- Należy włączyć w routerze obsługę sieci WLAN.
- Należy zapoznać się z rozdziałem instrukcji obsługi routera dotyczącym prawidłowej konfiguracji połączenia WLAN.

- Upewnić się, że głośnik znajduje się w trybie parowania WLAN. Diody LED stanu (1–5) pulsują.
- Upewnić się, że aplikacja Hama Smart Audio jest zainstalowana na smartfonie użytkownika i jest zaktualizowana do najnowszej wersji.
- Otwórz aplikację Hama Smart Audio i dotknij przycisku [KONFIGURUJ].
- Następnie dotknij przycisku [Dodaj więcej głośników].
- Otwórz ustawienia sieci WLAN w smartfonie, dotykając przycisku [OTWÓRZ ustawienia].
- W ustawieniach WLAN smartfona znajdź głośnik Hama SIRIUM2000AMBT/SIRIUM2100AMBT.

Wskazówki

- Głośnik generuje własną sieć WLAN, której nazwa to SIRIUMSetup i pierwsze sześć cyfr adresu MAC (np. SIRIUMSetup_E69EBB). Ta sieć WLAN nie wymaga hasła.
- Podłącz smartfon do głośnika.
- Następnie powrócić do aplikacji Hama Smart Audio na swoim smartfonie.
- Wybierz żadaną nazwę sieci WLAN (SSID), do której chcesz podłączyć głośnik.
- W razie potrzeby wprowadź klucz sieciowy i potwierdź przyciskiem [Zapisz].
- Potwierdź wybrane ustawienia, dotykając przycisku [POTWIERDŹ].
- Głośnik połączy się teraz z siecią. Po udanym połączeniu na smartfonie zostanie wyświetlony komunikat „Głośnik pomyślnie skonfigurowany”.
- Diody LED zgasną po kilku sekundach.

Wskazówki

- W przypadku systemu iOS w tym momencie konieczne może być zamknięcie aplikacji i jej ponowne uruchomienie. Następnie należy wykonać dwa kolejne kroki.
- Skonfigurowany głośnik powinien teraz ukazać się w menu głównym. Nacisnąć ikonę głośnika.
- Dotknąć przycisku [Źródła] u dołu ekranu, aby połączyć się ze swoim kontem Amazon.
- Następnie dotknąć przycisku [Amazon Alexa].
- Dotknij przycisku [Zaloguj się przez Amazon], aby otworzyć przeglądarkę i wprowadzić swoje dane dostępowe.

Wskazówki

- Jeśli aplikacja Amazon Shopping jest już zainstalowana i skonfigurowana na smartfonie użytkownika, należy pominąć kolejne kroki.
- Przy użyciu klawiatury swojego smartfona wprowadzić dane dostępowe do swojego konta Amazon i potwierdzić je, klikając Zamelduj się.
- Ewentualnie można założyć nowe konto Amazon, dotykając przycisku [Załącz nowe konto Amazon].

- Po udanej rejestracji nastąpi powrót do aplikacji Hama Smart Audio.
- Teraz wybierz język, na który Alexa powinna reagować w przyszłości.
- Otwórz aplikację Amazon Alexa i w razie potrzeby ponownie wprowadź swoje dane dostępowe. Po tym głośnik ten powinien pojawić się wśród aktywnych urządzeń użytkownika.
- Następnie wprowadź ustawienia osobiste (strefa czasowa, nazwa urządzenia itd.) w aplikacji Amazon Alexa. Więcej informacji można znaleźć na stronie www.amazon.de -> Pomoc i obsługa klienta.

Wskazówki

- Jeśli aplikacja Amazon Market jest już zainstalowana i skonfigurowana na smartfonie użytkownika, niektóre smartfony przejmą dane użytkownika bezpośrednio z aplikacji.
- Aby skonfigurować nowe konto Amazon, należy wylogować się i powtórzyć kroki opisane w tym rozdziale.

Wskazówki Alexa Push to talk/ Function Key

- Krótko nacisnąć przycisk [AKCJA] (4) na głośniku, aby aktywować usługę Alexa podczas odtwarzania dźwięku lub przy wysokiej głośności. Ewentualnie można nacisnąć przycisk [Akcja] (3) na pilocie zdalnego sterowania.
- Nacisnąć przycisk [Wycisz MIKROFON] (3), aby wyłączyć mikrofony. Jeżeli mikrofony zostaną wyłączone, diody LED stanu (1–5) zaświecą się na stałe w kolorze czerwonym. Ewentualnie można nacisnąć przycisk [Wycisz MIKROFON] (4) na pilocie zdalnego sterowania.
- Głośnik nie będzie już reagować na słowo aktywujące do momentu ponownego włączenia mikrofonów.
- Należy raz jeszcze nacisnąć przycisk [Wycisz MIKROFON] (3), aby ponownie aktywować mikrofon. Ewentualnie można nacisnąć przycisk [Wycisz MIKROFON] (4) na pilocie zdalnego sterowania. Diody LED stanu (1–5) zgasną.

6. Pierwsze łączenie Bluetooth (pairing)

Poprzez łącze Bluetooth można połączyć urządzenia końcowe z głośnikiem i używać go jako odtwarzacza sygnału audio. Sterowanie odtwarzaniem odbywa się przy tym bezpośrednio za pośrednictwem urządzenia końcowego lub pilota zdalnego sterowania. Głośność można regulować również bezpośrednio na głośniku.

Wskazówki – Bluetooth®

- Sprawdź, czy posiadane mobilne urządzenie końcowe (smartfon, tablet PC itp.) jest wyposażone w łącze Bluetooth.
- Pamiętaj, że zasięg łącza *Bluetooth®* wynosi maks. 10 metrów bez przeszkód jak ściany, osoby itp.
- Może się zdarzyć, że połączenie zostanie zakłócone przez inne urządzenia *Bluetooth®*/połączenia w otoczeniu.
- Głośnik można zawsze sparować tylko z jednym urządzeniem końcowym.
- Pamiętaj, że kompatybilność zależy od obsługiwanych profili *Bluetooth®* oraz stosowanych wersji *Bluetooth®*. (patrz: Dane techniczne, instrukcja obsługi stosowanego urządzenia końcowego)

- Upewnij się, że urządzenie końcowe z technologią Bluetooth jest włączone, a funkcja Bluetooth jest aktywowana.
- Włączyć tryb Bluetooth w urządzeniu, kilkakrotnie naciskając przycisk [ZRÓDŁO] (2) na głośniku.
- Ewentualnie można nacisnąć przycisk [Bluetooth] (13) na pilocie zdalnego sterowania.
- Dioda LED stanu Bluetooth (4) zacznie pulsować w kolorze niebieskim.
- Nacisnąć przycisk [ZRÓDŁO] (2) i przytrzymać go przez około 2 sekundy, aby włączyć tryb parowania. Dioda LED stanu Bluetooth (4) zacznie pulsować w kolorze niebieskim i rozlegnie się sygnał dźwiękowy.
- Otworzyć na urządzeniu końcowym ustawienia Bluetooth i poczekać, aż w liście znalezionych urządzeń wyświetli się Hama SIRIUM2000AMBT/SIRIUM2100AMBT.
- W razie potrzeby uruchomić na urządzeniu końcowym funkcję wyszukiwania urządzeń Bluetooth.
- Z listy dostępnych urządzeń wybrać głośnik Hama SIRIUM2000AMBT/SIRIUM2100AMBT i poczekać, aż głośnik wyświetli się w ustawieniach Bluetooth urządzenia końcowego jako sparowany.
- Dioda LED stanu Bluetooth (4) świeci na niebiesko światłem ciągłym.
- Rozpocząć i odpowiednio sterować odtwarzaniem dźwięku za pośrednictwem danego urządzenia końcowego lub pilota zdalnego sterowania.

Wskazówka – hasło Bluetooth®

- Niektóre urządzenia końcowe wymagają podania hasła do konfiguracji połączenia z innym urządzeniem *Bluetooth®*.
- Jeżeli na urządzeniu końcowym pojawi się wezwanie do podania hasła, wpisać hasło **0000** w celu połączenia się z głośnikiem.

7. Połączenie przez gniazdo Optical IN

Poprzez cyfrowe wejście audio głośnika można podłączyć urządzenie końcowe (np. telewizor) i odtwarzać jego sygnał audio przez głośnik.

Wskazówki



- Przed podłączeniem urządzenia końcowego wyłącz głośnik.
 - Przed podłączeniem zdejmij osłony ochronne z obu końców optycznego kabla sygnałowego.
 - Nie zginaj i nie zginiataj kabla.
- W celu odtwarzania za pośrednictwem optycznego wejścia audio należy podłączyć optyczny kabel sygnałowy do optycznego wejścia głośnika i do optycznego wyjścia swojego urządzenia końcowego, a następnie wybrać tryb optyczny.
- Naciśnij i przytrzymaj przycisk [ZASILANIE] (1) przez około 3 sekundy, aby włączyć głośnik.
- Włączyć tryb optyczny, naciskając kilkakrotnie przycisk [ŹRÓDŁO] (2) na głośniku.
- Gdy tryb optyczny jest włączony, dioda LED stanu sygnału optycznego (4) świeci na fioletowo.
- Ewentualnie można również nacisnąć przycisk [Optical IN] (12) na pilocie zdalnego sterowania.

8. Połączenie przez gniazdo Auxiliary In / Auxiliary Out

Poprzez analogowe wejście audio można podłączyć mobilne urządzenia końcowe (np. smartfon, tablet PC, odtwarzacz MP3 itp.) oraz starsze źródła analogowe (odtwarzacze CD/DVD itp.) do głośnika w celu odtwarzania ich sygnału audio przez głośnik. Tutaj można ustanowić połączenie za pomocą kabla audio 3,5 mm (typu jack). Poprzez analogowe wyjście audio (5) można podłączyć dodatkowe głośniki i również przez nie odtwarzać sygnał audio.

Wskazówki



- Przed podłączeniem urządzenia końcowego wyłącz głośnik.
 - Nie zginaj i nie zginiataj kabla.
- Aby odtwarzać za pośrednictwem gniazda AUX In, należy podłączyć swoje urządzenie końcowe do gniazda AUX In (4) głośnika za pomocą kabla audio (jack) 3,5 mm i wybrać tryb AUX.
- Aby odtwarzać za pośrednictwem gniazda AUX Out, można podłączyć np. swój dodatkowy głośnik/wzmacniacz do gniazda AUX Out (5) głośnika za pomocą kabla audio (jack) 3,5 mm i wybrać tryb AUX.
- Nacisnąć przycisk [ZASILANIE] (1), aby włączyć głośnik.
- Włączyć tryb AUX, naciskając kilkakrotnie przycisk [ŹRÓDŁO] (2) na głośniku.

- Gdy wybrany jest tryb AUX, dioda LED stanu (4) świeci w kolorze jasnoniebieskim.
- Rozpocząć i odpowiednio sterować odtwarzaniem audio za pośrednictwem podłączonego urządzenia końcowego.
- Ewentualnie można również nacisnąć przycisk [Line IN] (14) na pilocie zdalnego sterowania.

9. Ustawienia fabryczne

Aby przywrócić ustawienia fabryczne (stan nowego produktu) głośnika, należy wykonać następujące czynności:

- Nacisnąć przyciski [KONFIGURACJA] (2) i [AKCJA] (4) i przytrzymać je przez ok. 6 sekund, aby przywrócić ustawienia fabryczne.
- Po udanym zresetowaniu urządzenia, głośnik zostanie ponownie uruchomiony.

Wskazówki



- Problemy i usterki ewentualnie można rozwiązać, przywracając ustawienia fabryczne.
- Jednak wszystkie ustawienia, na przykład zmienione wartości korektora dźwięku, ulubione i profile sieciowe, zostaną nieodwołalnie usunięte.

10. Czyszczenie

- Czyścić produkt tylko przy użyciu niestrzępiącej się, lekko zwilżonej szmatki i nie stosować agresywnych detergentów.
- W przypadku dłuższego nieużywania wyłączyć urządzenie i odłączyć od sieci prądu. Przechowywać produkt w czystym, suchym miejscu bez bezpośredniego promieniowania słonecznego.

11. Wyłączenie odpowiedzialności

Hama GmbH & Co. KG nie udziela gwarancji ani nie odpowiada za szkody wskutek niewłaściwej instalacji, montażu oraz nieprawidłowego stosowania produktu lub nieprzestrzegania instrukcji obsługi i/lub wskazówek bezpieczeństwa.

12. Deklaracja zgodności

CE Hama GmbH & Co KG niniejszym oświadcza, że typ urządzenia radiowego [00054881, 00054882, 00054886, 00054887] jest zgodny z dyrektywą 2014/53/UE. Pełny tekst deklaracji zgodności UE jest dostępny pod następującym adresem internetowym: www.hama.com -> 00054881, 00054882, 00054886, 00054887 -> Downloads.

Częstotliwość transmisji	Bluetooth: 2.402 GHz - 2.480 GHz WiFi: 2.402 GHz – 2.480 GHz WiFi: 2.412 GHz – 2.483 GHz WiFi: 5.150 GHz – 5.350 GHz WiFi: 5.470 GHz – 5.725 GHz
Maksymalna moc transmisji	Bluetooth: 4 dBm (EIRP) WiFi: 2.4 GHz / 19.5 dBm (EIRP) WiFi: 5 GHz / 16.5 dBm (EIRP)

Ograniczenia lub wymagania w

Belgia, Bułgaria, Czechy, Dania, Niemcy, Estonia, Irlandia, Grecja, Hiszpania, Francja, Chorwacja, Włochy, Cypr, Łotwa, Litwa, Luksemburg, Węgry, Malta, Holandia, Austria, Polska, Portugalia, Rumunia, Słowenia, Słowacja, Finlandia, Szwecja, Zjednoczone Królestwo

Wskazówka



Jeżeli kanały 36–64 (zakres częstotliwości 5,150 GHz – 5,350 GHz) używane są w sieci WLAN 5 GHz, produktu można używać wyłącznie w zamkniętych pomieszczeniach.

Kezelőelemek és kijelzők**A. A hangszóró kezelőmezője**

1. [BEKAPCSOLÁS] gomb
2. [FORRÁS] gomb
3. [MIKROFON Kikapcsolása] gomb
4. [AKTIVÁLÁS] gomb
5. [HANGERŐ] – gomb
6. [HANGERŐ] + gomb

B. Előlap

1. 1–5 állapotjelző LED-ek
2. Frissítés állapotjelző LED

C. Hátlap

1. Menet a fali tartóhoz
2. [BEÁLLÍTÁS] gomb
3. Optikai bemeneti csatlakozó
4. AUX bemeneti csatlakozó
5. AUX kimeneti csatlakozó
6. USB (Lejátszás és frissítés)
7. Hálózati tápkábel

D. Távirányítás

1. Bekapcsolás
2. Hangszóró némítása
3. Aktiválás
4. Mikrofon kikapcsolása
5. Basszus +
6. Basszus –
7. Hangerő +
8. Hangerő –
9. EQ1 (alap)
10. funkció nélkül
11. EQ2 (MyEQ)
12. Optikai bemenet
13. Bluetooth
14. Vonalszintű bemenet
15. Előző
16. Lejátszás/Szünet
17. Következő
18. Párosítás

Fontos megjegyzés - Kezelési útmutató:

- Ez egy rövid útmutató, amely ellátja Önt fontos alapinformációkkal, mint a biztonsági előírások és a termék üzembe helyezése.
- Környezetvédelmi okokból és az értékes nyersanyagok megtakarítása érdekében a Hama cég lemond a papírra nyomtatott használati útmutatóról és ezt kizárólag letölthető PDF / eManual formában állítja rendelkezésre a www.hama.com honlapon.
- A könnyebb megtaláláshoz használja a kereső funkciót és keresőszóként a cikkszámot, hogy fellelje a termék dokumentációját.
- Mentse el ezt a kezelési útmutatót számítógépére a későbbi fellapozáshoz és lehetőség szerint nyomtassa ki ezt.

1. Figyelmeztető szimbólumok és előírások ismertetése**Áramütés veszélye**

Ez a szimbólum a termék azon nem szigetelt részeinek megérintésére vonatkozó veszélyre utal, amelyek olyan szintű veszélyes feszültségen lehetnek, ami miatt áramütés veszélye áll fenn.

Figyelmeztetés

Figyelmeztető jeleket használunk a biztonsági tényezők bemutatására, ill. felhívjuk a figyelmet a különleges veszélyekre és kockázatokra.

Hivatkozás

Az itt látható figyelmeztető jeleket használjuk fel, ha kiegészítő információkat közlünk vagy fontos tudnivalókra hívjuk fel a figyelmet.

2. A csomag tartalma

- Hama „SIRIUM2000AMBT/SIRIUM2100AMBT” okoshangszóró
- hálózati tápegység
- távvezérlés SRC-1805-Layout B
- 2 db AAA elem
- rövid használati útmutató

3. Biztonsági utasítások

- A termék csak épületen belüli használatra készül.
- A termék magánháztartási, nem üzleti célú alkalmazásra készül.
- Védje a terméket szennyeződés, nedvesség és túlmelegedés elől, és azt csak száraz helyiségben használja.
- Ez a termék, mint minden elektromos termék, nem gyermekek kezébe való!
- Ne ejtse le a terméket és ne tegye ki heves rázkódásnak.
- Ne üzemeltesse a terméket a műszaki adatokban szereplő teljesítményhatárokon kívül.
- Feltétlenül tartsa távol a gyermekeket a csomagolóanyagtól, mert fulladásveszély áll fenn.
- Azonnal ártalmatlanítsa a csomagolóanyagot a helyileg érvényes ártalmatlanítási előírások szerint.
- Ne végezzen módosításokat a készüléken. Ebben az esetben minden garanciaigény megszűnik.

Áramütés veszélye



- Ne nyissa ki a terméket és sérülés esetén ne üzemeltesse tovább.
- Ne használja a terméket, ha az AC-adapter, az adapterkábel vagy a hálózati kábel megsérült.
- Ne kísérelje meg a készülék saját karbantartását vagy javítását. Bármely karbantartási munkát bízjon illetékes szakemberre.

Figyelmeztetés - elemek



- Feltétlenül ügyeljen az elemek megfelelő polaritására (+ és - felirat), és ennek megfelelően tegye be őket. Ennek figyelmen kívül hagyása esetén az elemek kifolyásának vagy felrobbanásának veszélye áll fenn.
- Ne engedje meg a gyermekeknek az elemcserét felügyelet nélkül.
- Ne keverje össze a régi és az új elemeket, valamint a különböző típusú vagy más gyártótól származó elemeket.
- Távolítsa el az elemeket azon termékekből, amelyeket hosszabb ideig nem használ.
- Ne zárja rövidre az elemeket.
- Ne tölts fel az elemeket.
- Ne dobja tűzbe az elemeket.
- Az elemeket gyermekek számára elzárt helyen tárolja.
- Haladéktalanul távolítsa el a lemerült elemeket a termékből, majd ártalmatlanítsa őket.

4. Működtetés

Távvezérlő üzembe helyezése

Nyissa ki az elemtartó fedelét. Ez a távvezérlő hátoldalán helyezkedik el és a megjelölt irányba tolvá nyitható. A szállított alkatrészek között megtalálja azt a két darab AAA elemet, amelyeket az üzembe helyezéshez helyezzen az elemtartóba. Az elemek behelyezésekor ügyeljen a megfelelő polaritásra. A megfelelő polaritás (+/-) az elemtartón látható.

Figyelmeztetés



- A terméket csak az arra a célra jóváhagyott dugaszaljzatról működtesse. A dugaszoló aljzatnak a termék közelében kell elhelyezkednie, és könnyen hozzáférhetőnek kell lennie.
- A terméket a be-/kikapcsolóval válassza le a hálózatról – ha ilyen nincs, húzza ki a hálózati kábelt a dugaszaljzattól.
- Dugaszor esetén ügyeljen rá, hogy a csatlakoztatott fogyasztók ne lépjék túl a megengedett összesített teljesítményfelvételt.
- Ha hosszabb ideig nem használja a terméket, válassza le a hálózatról.

Bekapcsolás

- Kösse össze a tápkábelt egy szabályszerűen szerelt csatlakozójalzzal.
- A hangszóró automatikusan bekapcsol.

Megjegyzés - Első bekapcsoláskor



- Az első bekapcsolásnál a hangszóró „A készülék első beállítására” üzemmódba lép, és az (1–5) állapotjelző LED-ek pulzálnak.
- Amennyiben nincs szükség a beállítás üzemmódra, a WPS üzemmód bekapcsolásához (gyorsan villog) röviden nyomja meg a készülék hátoldalán található (2) [BEÁLLÍTÁS] gombot. Vagy egy hozzáférési pont megnyitásához (lassan villog) nyomja meg és tartsa kb. 7 másodpercig lenyomva a (2) [BEÁLLÍTÁS] gombot.
- Az újbóli bekapcsoláskor az összes (1–5) állapotjelző LED narancssárgán villog mindaddig, amíg a kapcsolat ismét létre nem jön. Ez az internet adott jelerősségének függvényében akár 20 másodpercig is tarthat.

Be-/kikapcsolás/készenlét

- Nyomja meg az (1) [BEKAPCSOLÁS] gombot a hangszóró bekapcsolásához. Vagy nyomja meg a távirányító (1) [BEKAPCSOLÁS] gombját.
- A hangszóró kikapcsolásához nyomja meg újra a készüléken vagy a távirányítón az (1) [BEKAPCSOLÁS] gombot. (Készenlét)

Hivatkozás



- A hangszóró teljes kikapcsolásához válassza le azt az elektromos hálózatról.

Hangerő beállítása/Némítás

- A hangerő csökkentéséhez/növeléséhez nyomja meg a [HANGERŐ -/+] gombot.
- A hangszóró elnémításához nyomja meg a (2) [🔊] gombot a távirányítón.
- A hangszóró korábbi hangerejének visszaállításához nyomja meg ismét a (2) [🔊] gombot.

5. A hangszóró beállítása

Hivatkozás



- A termék összes funkciójának kihasználásához le kell töltenie az Amazon Alexa alkalmazást, és létre kell hoznia egy Amazon-fiókot. Ehhez kövesse az Amazon Alexa alkalmazás leírását. További információkat a www.amazon.com oldalon találhat.

5.1 A Hama Smart Audio alkalmazás letöltése

Hivatkozás



A termék a következő operációs rendszereket támogatja:

- iOS 8 vagy frissebb
- Android 4.4.2 vagy frissebb
- Nyissa meg az iTunes Appstore-t vagy a Google Play Store-t az okostelefonon.
- Használja a „Hama Smart Audio” keresőszót.
- Töltse le az alkalmazást a megszokott módon és telepítse okostelefonjára. Ehhez kövesse okostelefonja leírását.

5.2 Az eszköz első beállítása a Hama Smart Audio alkalmazással (ALEXA funkció)

Hivatkozás Wi-Fi (vezeték nélküli hálózat)



- Bizonyosodjon meg róla, hogy a router be van kapcsolva, és van internetes/hálózati kapcsolat.
- Ha ez még nem történt meg, aktiválja a router WLAN-kapcsolatát.
- Ha kérdése van a router konfigurálásával kapcsolatban, a hibakereséshez/ problémamegoldáshoz használja a router használati útmutatóját.
- Győződjön meg arról, hogy a hangszóró Wifi párosítás üzemmódban van. Az (1–5) állapotjelző LED lámpák villognak.
- Győződjön meg róla, hogy a Hama Smart Audio alkalmazás, valamint annak minden frissítése telepítve van az okostelefonján.
- Nyissa meg a Hama Smart Audio alkalmazást és nyomjon a [BEÁLLÍTÁS] lehetőségre.

- Azután nyomjon a [További hangszórók hozzáadása] lehetőségre.
- Nyissa meg az okostelefonja Wifi beállítások menüpontját a [Beállítások MEGNYITÁSA] megnyomásával.
- Az okostelefonja Wifi beállításai között keresse meg a Hama SIRIUM2000AMBT/SIRIUM2100AMBT hangszórót.

Hivatkozás



- A hangszóró egy saját Wifi hálózatot hoz létre SIRIUMSetup néven, és az első hat helyen a MAC-címe áll. (például SIRIUMSetup_E69EBB) Ez a hálózat nem kér jelszót.

- Kapcsolódjon okostelefonjával a hangszóróhoz.
- Térjen vissza a Hama Smart Audio alkalmazáshoz az okostelefonján.
- Válassza ki a kívánt Wifi hálózat nevét (SSID), amire a hangszórót csatlakoztatni szeretné.
- Adott esetben írja be a jelszót, és erősítse meg a [Mentés] megnyomásával.
- Erősítse meg a kiválasztott beállításokat a [MEGERŐSÍTÉS] megnyomásával.
- A hangszóró most már kapcsolódik a hálózathoz. Sikeres kapcsolódás esetén az okostelefonon megjelenik a „Hangszóró sikeresen konfigurálva” üzenet.
- A LED lámpák néhány másodperc után kialszanak.

Hivatkozás



- iOS operációs rendszer esetén előfordulhat, hogy az alkalmazást be kell zárnai, majd újra kell indítani. Végül hajtsa végre a következő két lépést.
- A beállított hangprojektor a főmenüben látható. Nyomja meg a hangszóró ikonját.
- Érintse meg a [Források] gombot az alsó képernyőn, hogy létrehozza a kapcsolatot az Amazon fiókjához.
- Végül érintse meg az [Amazon Alexa] ikont.

- A belépési adatainak megadásához nyisson egy böngészőt a [Belépés az Amazon-fiókkal] megnyomásával.

Hivatkozás



- Amennyiben az Amazon vásárlási alkalmazást már telepítette és beállította az okostelefonján, a következő lépések kimaradnak.
- Az okostelefonja billentyűzetével adja meg az Amazon fiókja belépési adatait, majd hagyja jóvá.
- Vagy az [Új Amazon fiók létrehozása] gombra kattintva hozzon létre egy új Amazon fiókot.

- Sikeres bejelentkezés után visszajut a Hama Smart Audio alkalmazásba.
- Válassza ki a nyelvet, amin Alexa a jövőben reagáljon.

- Nyissa meg az Amazon Alexa alkalmazást, és adott esetben adja meg ismét a belépési adatait. A hangszóró az aktív készülékéhez csatlakozik.
- Végül menjen végig a személyes beállításokon (időzóna, a készülék neve stb.) az Amazon Alexa alkalmazásban. Ehhez további információkat a www.amazon.de -> Hilfe und Kundenservice (Segítség és ügyfélszolgálat) oldalon talál.

Hivatkozás



- Amennyiben az Amazon Market alkalmazást már telepítette és beállította az okostelefonján, egyes okostelefonok közvetlenül átveszik az alkalmazásból a felhasználói adatokat.
- Egy új Amazon fiók beállításához jelentkezzen be, majd ismétlje meg az ebben a fejezetben leírt lépéseket.

Hivatkozás Alexa Push to talk/ Function Key



- Alexa bekapcsolásához audio üzemmódban vagy magasabb hangerő mellett nyomja meg röviden a hangszóró (4) [Aktiválás] gombját. Vagy nyomja meg a távirányító (3) [Aktiválás] gombját.
- Nyomja meg a (3) [Mikrofon kikapcsolása] gombot a mikrofon kikapcsolásához. Ha a mikrofon ki van kapcsolva, az (1–5) állapotjelző LED lámpák folyamatosan pirosan világítanak. Vagy nyomja meg a távirányító (4) [Mikrofon kikapcsolása] gombját
- Ekkor a hangszóró nem reagál az aktiválósóra egészen addig, amíg újra be nem kapcsolja a mikrofont.
- A mikrofon ismételt bekapcsolásához nyomja meg ismét a (3) [Mikrofon kikapcsolása] gombot. Vagy nyomja meg a távirányító (4) [Mikrofon kikapcsolása] gombját. Az (1–5) állapotjelző LED lámpák kialszanak.

6. Első Bluetooth-kapcsolat (párosítás)

Bluetoothon keresztül csatlakoztathatja eszközeit a hangszóróval, amelyet így audio jelek lejátszóeszközeként használhat. A lejátszás közvetlenül az eszközéről vagy a távirányítóval vezérelhető. A hangerő közvetlenül a hangszórón is szabályozható.

Hivatkozás – Bluetooth®



- Ellenőrizze, hogy a mobilkészüléke (okostelefon, táblagép stb.) alkalmas-e Bluetooth-kapcsolatra.
- Vegye figyelembe, hogy a *Bluetooth®* hatótávolsága maximum 10 méter akadályok, például falak, személyek stb. nélkül.
- A kapcsolatot a közelben lévő más *Bluetooth®*-készülékek-kapcsolatok megzavarhatják.
- Der Lautsprecher kann immer nur mit einem Endgerät gekoppelt werden.
- Vegye figyelembe, hogy a kompatibilitás a támogatott *Bluetooth®*-profiloktól és a használt *Bluetooth®*-verzióktól függ. (lásd: műszaki adatok, a használt eszköz kezelési útmutatója)
- Győződjön meg róla, hogy a Bluetooth kapcsolatra képes készülék be van kapcsolva, és hogy a Bluetooth aktív.
- A hangszóró Bluetooth módjának bekapcsolásához nyomja meg ismételten a (2) [FORRÁS] gombot.
- Vagy nyomja meg a távirányító (13) [Bluetooth] gombját.
- A Bluetooth állapotát jelző (4) LED elkezd kéken villogni.
- Tartsa lenyomva a (2) [FORRÁS] gombot kb. 2 másodpercig a Párosítás üzemmód bekapcsolásához. A Bluetooth (4) állapotjelző LED elkezd kéken villogni és egy hangjelzés hallatszik.
- Nyissa meg eszközén a Bluetooth-beállításokat, és várjon, míg a talált Bluetooth-készülékek listájában megjelenik a Hama SIRIUM2000AMBT/ SIRIUM2100AMBT.
- Indítsa el adott esetben a Bluetooth-eszközök keresését az eszközén.
- Válassza ki a Hama SIRIUM2000AMBT/ SIRIUM2100AMBT hangszóró az elérhető eszközök listáján és várjon, míg a hangszóró eszköze Bluetooth beállításainál csatlakoztatva jelenik meg.
- A Bluetooth (4) állapotjelző LED-je ezután folyamatosan kéken világít.
- Indítsa el és szabályozza a hanglejátszást megfelelő módon az eszközön keresztül vagy a távirányítóval.

Megjegyzés – Bluetooth® - jelszó



- Egyes eszközök esetén jelszót kell megadnunk, amikor az eszközt egy másik *Bluetooth®*-eszközhöz csatlakoztatjuk.
- A hangszóró csatlakoztatásához írja be a 0000 jelszót, amikor az eszköz a jelszó megadására szólítja fel.

7. Kapcsolat az optikai bemeneten keresztül

A hangszóró digitális audio bemenetén keresztül csatlakoztathatja a (pl. TV) készülékét, és annak a hangjelét lejátszhatja a hangszóróval.

Hivatkozás



- Kapcsolja ki a hangszórót, mielőtt készüléket csatlakoztat hozzá.
- A csatlakoztatás előtt távolítsa el az optikai jelátvivő kábel mindkét végéről a védőkupakot.
- Ne hajlítsa vagy törje meg a kábelt.

- Az optikai audiocsatlakozón keresztüli lejátszáshoz csatlakoztasson egy optikai jelkábel a hangszóró optikai audio bemenetéhez és a készüléke optikai audio kimenetéhez, majd válassza az optikai üzemmódot.
- A hangszóró bekapcsolásához tartsa lenyomva az (1) [BEKAPCSOLÁS] gombot kb. 3 másodpercig.
- Az optikai üzemmód bekapcsolásához nyomja meg ismételten a hangszórón a (2) [FORRÁS] gombot.
- Az optikai üzemmód kiválasztásakor a (4) állapotjelző LED lilán világít.
- Vagy nyomja meg a távirányító (12) [Optikai bemenet] gombját.

8. Kapcsolat egyéb bemeneten/egyéb kimeneten keresztül

Az analóg audio bemeneten keresztül csatlakoztathat mobil készülékeket (pl. okostelefon, táblagép, MP3-lejátszó stb.), és régebbi analóg forrásokat (CD-/DVD-lejátszó stb.) a hangszóróhoz, valamint játszhatja le ezek hangjelét. Ezekhez a kapcsolatokhoz használjon egy 3,5 mm-es jackdugós hangkábel.

Az (5) analóg audio kimenetre további hangszórók csatlakoztathatók, amelyeken az audiojel lejátszható.

Hivatkozás



- Kapcsolja ki a hangszórót, mielőtt készüléket csatlakoztat hozzá.
- Ne hajlítsa vagy törje meg a kábelt.
- Az AUX bemeneten keresztüli adatátvitelhez kösse össze a készülék (4) AUX bemeneti csatlakozóját egy 3,5 mm audiokábel (hangkábel) segítségével a hangszóróval, és válassza ki az AUX üzemmódot.
- Az AUX kimeneten keresztüli adatátvitelhez kösse össze a készülék (5) AUX kimeneti csatlakozóját egy 3,5 mm audiokábel (hangkábel) segítségével a hangszóróval, és válassza ki az AUX üzemmódot.
- Nyomja meg az (1) [BEKAPCSOLÁS] gombot a hangszóró bekapcsolásához.
- Az AUX üzemmód aktiválásához nyomja meg a távirányítón ismételten a (2) [FORRÁS] gombot.
- Az AUX üzemmód kiválasztásakor a (4) állapotjelző LED ciánkéken világít.

- Indítsa el és szabályozza a hanglejátszást megfelelően a csatlakoztatott készüléken keresztül.
- Vagy nyomja meg a távirányító (14) [VONALSZINTŰ BEMENET] gombját.

9. Gyári beállítás

A hangszóró gyári beállításra (kiszállítási állapotra) való visszaállításához az alábbiak szerint járjon el:

- A hangszóró gyári beállításainak visszaállításához nyomja meg és kb. 6 másodpercig tartsa lenyomva a (2) [BEÁLLÍTÁS] és a (4) [Aktiválás] gombokat.
- A sikeres visszaállítást követően a hangszóró újraindul.

Hivatkozás



- A problémák és a hibás funkciók a gyári beállítások visszaállításával feltehetően megszüntethetők.
- Viszont minden előzetes beállítás, mint például a hangszínszabályzó, a kedvencek és a hálózati profilok visszavonhatatlanul törölődnek.

10. Karbantartás és ápolás

- Ezt a terméket csak szőszmentes, kissé benedvesített kendővel tisztítsa, és ne használjon agresszív tisztítószert.
- Amennyiben a terméket hosszabb ideig nem használja, kapcsolja ki a készüléket és válassza le az elektromos hálózatról. Tárolja tiszta, száraz, közvetlen napfénytől védett helyen.

11. Szavatosság kizárása

A Hama GmbH & Co. KG semmilyen felelősséget vagy szavatosságot nem vállal a termék szakszerűtlen telepítéséből, szereléséből és szakszerűtlen használatából, vagy a kezelési útmutató és/vagy a biztonsági előírások be nem tartásából eredő károkért.

12. Megfeleléségi nyilatkozat



Hama GmbH & Co KG igazolja, hogy a
[00054881, 00054882, 00054886, 00054887]
típusú rádióberendezés megfelel a 2014/53/EU

irányelvnek. Az EU-megfeleléségi nyilatkozat teljes szövege
elérhető a következő internetes címen:

www.hama.com -> 00054881, 00054882, 00054886,
00054887 -> Downloads.

Az(ok) a frekvenciasáv(ok)	Bluetooth: 2.402 GHz - 2.480 GHz WiFi: 2.402 GHz – 2.480 GHz WiFi: 2.412 GHz – 2.483 GHz WiFi: 5.150 GHz – 5.350 GHz WiFi: 5.470 GHz – 5.725 GHz
Maximális jelerősség	Bluetooth: 4 dBm (EIRP) WiFi: 2.4 GHz / 19.5 dBm (EIRP) WiFi: 5 GHz / 16.5 dBm (EIRP)

Korlátozások vagy követelmények

Ausztria, Belgium, Bulgária, Ciprus, Csehország,
Dánia, Egyesült Királyság, Észtország, Finnország,
Franciaország, Görögország, Hollandia, Horvátország,
Írország, Lengyelország, Lettország, Litvánia, Luxemburg,
Magyarország, Málta, Németország, Olaszország,
Portugália, Románia, Spanyolország, Svédország,
Szlovákia, Szlovénia

Hivatkozás



A 36-64 csatornák (5,150 GHz – 5,350 GHz) 5 GHz-es
WiFi sávban történő használata esetén a termék csak
zárt helyiségekben használható.

Ovládací prvky a indikace zobrazit

A. Obslužné pole reproduktoru

1. Tlačítko [ZAPNOUT]
2. Tlačítko [ZDROJ]
3. Tlačítko [VYPNOUT MIKROFON]
4. Tlačítko [AKCE]
5. Tlačítko [HLASITOST] –
6. Tlačítko [HLASITOST] +

B. Přední strana

1. Stavová LED 1–5
2. Stavová LED Update

C. Zadní strana

1. Závity pro uchycení na stěnu
2. Tlačítko [INSTALACE]
3. Optický ve zdířce
4. Zdířka AUX-IN
5. Zdířka AUX-OUT
6. USB (playback a aktualizace)
7. Síťový přívod

D. Dálkové ovládání

1. Napájení
2. Reproduktor vypnutý
3. Akce
4. Mikrofon vypnutý
5. Bass +
6. Bass –
7. Vol +
8. Vol –
9. EQ1 (standard)
10. Bez funkce
11. EQ2 (MyEQ)
12. Optika IN
13. Bluetooth
14. Line-IN
15. Předchozí
16. Přehrávat/Pauza
17. Další
18. Párování

Důležité upozornění - návod k použití:



- Jedná se stručný návod, který vám nabízí důležité základní informace, jako bezpečnostní pokyny a informace o uvedení vašeho výrobku do provozu.
- Z důvodu ochrany životního prostředí a úspory cenných surovin firma Hama návod k použití nedodává tištěnou formou a nabízí ho výhradně formou stažení ve formátu PDF/ eManual na adrese www.hama.com.
- Pro snadnější vyhledání dokumentace výrobku použijte funkci vyhledávání a jako hledaný pojem zadejte číslo výrobku.
- Tento návod k použití si pro pozdější použití uložte na vašem počítači a podle možnosti si ho vytiskněte.

1. Vysvětlení výstražných symbolů a pokynů

Nebezpečí poranění elektrickým proudem



Tento symbol upozorňuje na nebezpečí při dotyku neizolovaných částí produktu, které by mohly vést k nebezpečné napětí o takové síle, že hrozí nebezpečí poranění elektrickým proudem.

Upozornění



Tento symbol označuje bezpečnostní upozornění, které poukazuje na určitá rizika a nebezpečí.

Poznámka



Tento symbol označuje dodatečné informace nebo důležité poznámky.

2. Obsah balení

- Reproduktor Hama Smart „SIRIUM2000AMBT/ SIRIUM2100AMBT“
- Síťový díl
- Dálkové ovládání SRC-1805-Layout B
- 2 x baterie AAA
- Úvod pro rychlý start

3. Bezpečnostní pokyny

- Výrobek je určen pouze pro použití v interiéru.
- Výrobek je určen pro použití v soukromých domácnostech.
- Chraňte výrobek před znečištěním, vlhkostí a přehřátím a používejte ho pouze v suchých prostorách.
- Tento produkt, stejně jako všechny ostatní elektrické produkty, nepatří do rukou dětí!
- Zabraňte pádu výrobku a výrobek nevystavujte velkým otřesům.
- Výrobek neprovozujte mimo meze výkonu uvedené v technických údajích.
- Obalový materiál nepatří do rukou dětí, hrozí nebezpečí udušení.
- Obalový materiál likvidujte ihned podle platných místních předpisů o likvidaci.
- Na přístroji neprovádějte žádné změny. Tím zanikají veškeré záručky ze záruky.

Nebezpečí poranění elektrickým proudem

- Výrobek neotvírejte a v případě poškození již dále nepoužívejte.
- Výrobek nepoužívejte, pokud je AC-adaptér, kabel adaptéru nebo síťové vedení poškozeno.
- Do výrobku samovolně nezasahujte a neopravujte ho. Veškeré úkony údržby přenechejte příslušnému odbornému personálu.

Výstraha - baterie

- Při vkládání baterií vždy dbejte správné polaritu (označení + a -) baterií a vložte ji odpovídajícím způsobem. Při nedodržení hrozí nebezpečí vytečení baterií nebo exploze.
- Nedovolte dětem provádět výměnu baterií bez dozoru.
- Staré a nové baterie nemíchejte, stejně tak nepoužívejte baterie různých typů a výrobců.
- Vyjměte baterie, pokud se výrobek nebude delší dobu používat.
- Baterie nepřemostujte.
- Baterie nenabíjejte
- Baterie nevhazujte do ohně.
- Baterie uchovávejte mimo dosah dětí.
- Vybité baterie bez odkladu vyměňte a zlikvidujte dle platných předpisů.

4. Uvedení do provozu

Uvedení dálkového ovládání do provozu

Otevřete kryt přihrádky na baterie. Ta se nachází na zadní straně dálkového ovládání a je možné ji otevřít posunutím do označeného směru. Do rozsahu dodávky patří dvě baterie AAA, které se musí pro uvedení do provozu vložit do přihrádky na baterie. Při vkládání dávejte pozor na to, aby baterie byly vloženy se správnou polaritou. Zadaná polarita (+ / -) je označena v přihrádce na baterie.

Upozornění

- Výrobek provozujte pouze připojený ke schválené zásuvce. Zásuvka se musí nacházet v blízkosti výrobku a musí být snadno přístupná.
- Výrobek odpojte ze sítě pomocí vypínače – pokud není k dispozici, vytáhněte ze zásuvky síťový přívod.
- U vícenásobných zásuvek dbejte na to, aby připojené spotřebiče nepřekročily přípustnou celkovou spotřebu energie.
- Vypojte produkt ze sítě, pokud ho delší dobu nepoužíváte.

Zapnutí

- Připojte napájecí kabel reproduktoru k správně nainstalované zásuvce.
- Reproduktor se automaticky zapne.

Upozornění – při prvním zapnutí

- Při prvním zapnutí je reproduktor v režimu „Počáteční nastavení zařízení“ a stavové LED diody (1–5) pulzují.
- Pokud by režim nastavení nebyl aktivní, stiskněte krátce tlačítko [SETUP] (2) na zadní straně přístroje, abyste aktivovali režim WPS (bliká rychle). Alternativně stiskněte a podržte tlačítko [SETUP] (2) po dobu cca 7 sekund, abyste otevřeli AccessPoint (bliká pomalu).
- V případě opakovaného zapnutí blikají všechny stavové LED (1-5) oranžovou barvou, dokud nejsou znovu vytvořena aktivovaná spojení. Toto může trvat vždy podle stávající síly signálu internetu až 20 sekund.

Zapnutí/vypnutí/standby

- Stisknutím tlačítka [ZAPNOUT] (1) zapnete reproduktor. Alternativně stiskněte [ZAPNOUT] (1) na dálkovém ovládání.
- Znovu stiskněte tlačítko [ZAPNOUT] (1) na přístroji nebo na dálkovém ovládání, abyste vypnuli reproduktor. (Standby)

Poznámka



- Pro úplné vypnutí reproduktoru ho odpojte od napájení proudem.

Nastavení hlasitosti/Mute

- Stiskněte tlačítko [HLASITOST +/-], abyste mohli snížit/zvýšit hlasitost.
- Stiskněte [🔊] (2) na dálkovém ovládacím pro vypnutí zvuku reproduktoru.
- Znovu stiskněte [🔊] (2) pro přepnutí hlasitosti na hodnotu před vypnutím zvuku.

5. Nastavení reproduktorů

Poznámka



- Abyste mohli plně využívat veškeré funkce produktu, musíte stáhnout aplikaci Amazon Alexa a vytvořit si účet na Amazonu. Za tímto účelem postupujte podle pokynů aplikace Amazon Alexa. Další informace najdete na stránkách www.amazon.com.

5.1 Stažení aplikace Hama Smart Audio

Poznámka



Podporovány jsou následující operační systémy:

- iOS 8 nebo vyšší
- Android 4.4.2 nebo vyšší

- Spusťte na svém smartphonu aplikaci iTunes AppStore nebo Google Play Store.
- Využijte vyhledávací výraz „Hama Smart Audio“.
- Stáhněte si aplikaci obvyklým způsobem a nainstalujte ji na svůj smartphone. Za tímto účelem postupujte podle pokynů svého smartphonu.

5.2 První nastavení zařízení s aplikací Hama Smart Audio (funkce ALEXA)

Poznámka WLAN (bezdrátová síť)



- Ujistěte se, že je router zapnutý a že je aktivní připojení k internetu/síti.
- Aktivujte, pokud jste tak ještě neučinili, připojení WLAN routeru.
- Pokud by se vyskytly otázky týkající se konfigurace routeru, použijte návod k obsluze routeru pro vyhledání chyby/vyřešení problému.

- Ujistěte se, že je reproduktor v režimu párování WLAN. Stavové LED diody (1–5) blikají.
- Ujistěte se, že je na vašem smartphonu nainstalována aplikace Hama Smart Audio a že byly instalovány všechny updates.
- Otevřete aplikaci Hama Smart Audio a dotkněte se položky [KONFIGUROVAT].
- Pak se dotkněte položky [Přidat další reproduktory].

- Otevřete WLAN nastavení připojení vašeho smartphonu dotykem [OTEVŘÍT NASTAVENÍ].
- V nastavení WLAN vašeho smartphonu vyhledejte reproduktor Hama SIRIUM2000AMBT/SIRIUM2100AMBT.

Poznámka



- Reproduktor generuje vlastní síť WLAN, která nese název SIRIUMSetup a první šest číslic MAC adresy. (např. SIRIUMSetup_E69EBB) Tato síť WLAN nevyžaduje heslo.

- Připojte svůj smartphone k reproduktoru.
- Nyní se na vašem smartphonu vraťte k aplikaci Hama Smart Audio.
- Vyberte požadované jméno WLAN (SSID), ke kterému chcete připojit reproduktor.
- V případě potřeby zadejte síťový klíč a potvrďte tlačítkem [Uložit].
- Potvrďte vybraná nastavení dotykem na [POTVRDIT].
- Reproduktor se nyní připojí k síti. Po úspěšném připojení se na smartphonu zobrazí zpráva „Reproduktor je úspěšně nakonfigurován“.
- LED po několika minutách zhasnou.

Poznámka



- U iOS se může stát, že aplikace je nyní vypnuta a že musí být znovu spuštěna. Dále dodržujte následující dva kroky.
- V hlavním menu by měl být nyní zobrazen nařizený soundbar. Stiskněte ikonu reproduktoru.
- Kliknutím na [Zdroje] ve spodní části obrazovky se můžete připojit ke svému účtu Amazon.
- Poté stiskněte plochu [Amazon Alexa].

- Klepnutím na tlačítko [Přihlásit se s účtem Amazon] otevřete webový prohlížeč a zadáte své přístupové údaje.

Poznámka



- Pokud byla na vašem smartphonu již nainstalována a nastavena aplikace Amazon Shopping, jsou následující kroky přeskočeny.
- Zadejte přístupová data svého účtu Amazon pomocí klávesnice smartphonu a zadání potvrďte přihlášením.
- Případně můžete vytvořit nový účet Amazon tím, že se dotknete pole [Vytvořit nový účet Amazon].

- Po úspěšném přihlášení se vrátíte do aplikace Hama Smart Audio.
- Nyní vyberte jazyk, na který by měla Alexa reagovat v budoucnu.
- Otevřete aplikaci Amazon Alexa a popř. znovu zadejte své přihlašovací údaje. Reproduktor byste měli nalézt v připojení u svých aktivních přístrojů.

- Pak proveďte své osobní nastavení (časové pásmo, název zařízení atd.) v aplikaci Amazon Alexa. Další informace naleznete na adrese www.amazon.de -> Nápověda a služby zákazníkům.

Poznámka

- Pokud byla ve vašem smartphonu již nainstalována a nastavena aplikace Amazon Market, některé smartphony přebírají údaje o uživateli přímo z aplikace.
- Aby bylo možné zřídit nový účet Amazon, odhlaste se a opakujte kroky popsané v této kapitole.

Poznámka Alexa Push to talk/ Function Key

- Krátkým stisknutím tlačítka [Akce] (4) na reproduktoru aktivujete funkci Alexa během přehrávání zvuku nebo při vysoké hlasitosti. Alternativně stiskněte tlačítko [Akce] (3) na dálkovém ovládní.
- Chcete-li mikrofony vypnout, stiskněte tlačítko [Vypnout mikrofon] (3). Pokud jsou mikrofony deaktivovány, LED indikátory stavu (1–5) svítí trvale červeně. Alternativně stiskněte tlačítko [Vypnout mikrofon] (4) na dálkovém ovládní.
- Reproduktor už nereaguje na aktivací slovo, dokud nebudou mikrofony znovu aktivovány.
- Znovu stiskněte tlačítko [Vypnout mikrofon] (3), abyste mikrofon opět aktivovali. Alternativně stiskněte tlačítko [Vypnout mikrofon] (4) na dálkovém ovládní. Stavové LED diody (1–5) zhasnou.

6. První navázání spojení Bluetooth (spárování)

Přes Bluetooth můžete spojit koncová zařízení s reproduktorem a použít ho jako zařízení pro reprodukci audio signálů. Reprodukce se přitom ovládá přímo přes koncové zařízení nebo dálkové ovládní. Přímou na reproduktoru lze také regulovat hlasitost.

Poznámka – Bluetooth®

- Zkontrolujte, zda Vaše koncové mobilní zařízení (smartphone, tablet apod.) disponuje technologií Bluetooth.
- Pozor, dosah *Bluetooth®* je max. 10 metrů, a to bez překážek, jako např. zdí, osob apod.
- Může dojít k tomu, že spojení bude narušeno v důsledku dalších připojení/zařízení s technologií *Bluetooth®* nacházejících se v okolí.
- Reproduktor lze připojit vždy pouze k jednomu koncovému zařízení.
- Mějte na paměti, že kompatibilita závisí na podporovaných profilech a použitých verzích *Bluetooth®* (viz: technická data, návod k použití používaného koncového zařízení).

- Ujistěte se, že je zařízení s podporou technologie Bluetooth zapnuté a je zapnutá funkce Bluetooth.
- Aktivujte režim Bluetooth opakovaným stisknutím tlačítka [ZDROJ] (2) na reproduktoru.
- Alternativně stiskněte [Bluetooth] (13) na dálkovém ovládní.
- Stavová LED dioda Bluetooth (4) začne pulzovat modrou barvou.
- Stiskněte a podržte tlačítko [ZDROJ] (2) po dobu asi 2 sekund pro aktivaci režimu párování. Stavová LED dioda Bluetooth (4) začne blikat modře a ozve se signální tón.
- Otevřete nastavení Bluetooth na koncovém zařízení a vyčkejte, dokud se v seznamu nalezených přístrojů Bluetooth nezobrazí položka Hama SIRIUM2000AMBT/ SIRIUM2100AMBT.
- Příp. spusťte na svém koncovém zařízení vyhledávání zařízení s Bluetooth.
- Vyberte ze seznamu dostupných zařízení reproduktor Hama SIRIUM2000AMBT/SIRIUM2100AMBT a počkejte, dokud se v nastaveních Bluetooth Vašeho koncového zařízení nezobrazí reproduktor jako připojený.
- Stavová LED dioda Bluetooth (4) nyní trvale svítí modrou barvou.
- Spusťte a ovládejte přehrávání audia přes koncové zařízení, popř. dálkové ovládní.

Upozornění – Heslo pro Bluetooth®

- Některá koncová zařízení vyžadují pro navázání spojení s jiným zařízením s *Bluetooth®* heslo.
- Pro spojení s reproduktorem zadejte heslo 0000, pokud Vás k tomu vyzve Vaše koncové zařízení.

7. Spojení přes optiku IN

Pomocí digitálního audio vstupu reproduktoru můžete připojit zařízení (například televizor) a přehrávat jeho zvukový signál prostřednictvím reproduktoru.

Poznámka



- Před připojením koncového zařízení vypněte reproduktor.
- Před připojením odstraňte ochranná víčka z obou konců optického signálního kabelu.
- Kabel neohýbejte a nelámějte.

- Pro reprodukci prostřednictvím optického audio připojení připojte optický signalizační kabel k optickému audio vstupu reproduktoru a k optickému audio výstupu svého koncového přístroje a zvolte optický režim.
- Stiskněte a podržte tlačítko [ZAPNOUT] (1) asi 3 sekundy pro zapnutí reproduktoru.
- Aktivujte optický režim opakovaným stisknutím tlačítka [ZDROJ] (2) na reproduktoru.
- Stavová LED dioda Optical (4) svítí fialově, pokud je aktivován optický režim.
- Alternativně stiskněte [Optical IN] (12) na dálkovém ovládacím.

8. Připojení přes Auxiliary In / Auxiliary Out

Analogový audio vstup umožňuje připojit mobilní zařízení (např. smartphone, tablet PC, MP3 přehrávač atd.) a starší analogové zdroje (přehrávače disků CD/DVD atd.) k reproduktoru a přehrávání jejich audio signálu prostřednictvím reproduktoru. Zde máte možnost připojení pomocí 3,5 mm audio kabelu (jack konektor). Prostřednictvím analogového audio výstupu (5) mohou být připojeny další reproduktory, pomocí kterých je audio signál rovněž reprodukován.

Poznámka



- Před připojením koncového zařízení vypněte reproduktor.
- Kabel neohýbejte a nelámějte.

- Pro přehrávání prostřednictvím připojení AUX připojte váš koncový přístroj pomocí zdířky AUX-In (4) pomocí audio 3,5 mm kabelu (svírkový kabel) s reproduktorem a vyberte režim AUX.
- Pro přehrávání prostřednictvím připojení AUX-Out připojte např. další reproduktory/zesilovač pomocí zdířky AUX-Out (5) pomocí 3,5 mm audio kabelu (svírkový kabel) s reproduktorem a vyberte režim AUX.
- Stisknutím tlačítka [ZAPNOUT] (1) zapnete reproduktor.
- Aktivujte AUX režim opakovaným stisknutím tlačítka [ZDROJ] (2) na reproduktoru.
- Stavová LED dioda (4) svítí při výběru AUX režimu modrozeleně.

- Spusťte a ovládejte přehrávání zvuku odpovídajícím způsobem prostřednictvím připojeného koncového přístroje.
- Alternativně stiskněte [LINE IN] (14) na dálkovém ovládacím.

9. Tovární nastavení

Pro nastavení rádia zpět na tovární hodnoty (stav při dodání) postupujte prosím následujícím způsobem:

- Stiskněte a podržte tlačítko [SETUP] (2) a [Akce] (4) po dobu cca 6 sekund, abyste vrátili reproduktor zpět do továrního nastavení.
- Po úspěšném vrácení je reproduktor znovu spuštěn.

Poznámka



- Problémy a chybné funkce je možné odstranit vrácením nastavení na tovární hodnoty.
- Dojde však k vymazání všech přednastavení, jako ekvalizér, oblíbené položky a síťové profily.

10. Údržba a čištění

- Tento výrobek čistěte pouze mírně navlhčeným hadříkem nepouštějícím vlákna a nepoužívejte agresivní čisticí prostředky.
- Pokud nebudete výrobek po delší dobu používat, přístroj vypněte a odpojte ho od napájení. Skladujte ho na čistém, suchém místě bez přímého slunečního záření.

11. Vyloučení záruky

Hama GmbH & Co. KG nepřebírá žádnou odpovědnost nebo záruku za škody vzniklé neodbornou instalací, montáží nebo neodborným použitím výrobku nebo nedodržováním návodu k použití a/nebo bezpečnostních pokynů.

12. Prohlášení o shodě

CE Tímto Hama GmbH & Co KG prohlašuje, že typ rádiového zařízení [00054881, 00054882, 00054886, 00054887] je v souladu se směrnici 2014/53/EU. Úplné znění EU prohlášení o shodě je k dispozici na této internetové adrese: www.hama.com -> 00054881, 00054882, 00054886, 00054887 -> Downloads.

Kmitočtové pásmo (kmitočtová pásma)	Bluetooth: 2.402 GHz - 2.480 GHz WiFi: 2.402 GHz – 2.480 GHz WiFi: 2.412 GHz – 2.483 GHz WiFi: 5.150 GHz – 5.350 GHz WiFi: 5.470 GHz – 5.725 GHz
Maximální radiofrekvenční výkon vysílaný	Bluetooth: 4 dBm (EIRP) WiFi: 2.4 GHz / 19.5 dBm (EIRP) WiFi: 5 GHz / 16.5 dBm (EIRP)

Omezení nebo požadavky v/na

Belgie, Bulharsko, Česká republika, Dánsko, Německo, Estonsko, Irsko, Řecko, Španělsko, Francie, Chorvatsko, Itálie, Kypr, Lotyšsko, Litva, Lucembursko, Maďarsko, Malta, Nizozemí, Rakousko, Polsko, Portugalsko, Rumunsko, Slovinsko, Slovensko, Finsko, Švédsko, Spojené Království

Poznámka



Jestliže se kanály 36-64 (frekvence 5,150 GHz - 5,350 GHz) používají ve WLAN 5 GHz, je povoleno výrobek používat pouze v uzavřených prostorech.

Ovládacie a indikačné prvky

A. Ovládací panel reproduktora

1. Tlačidlo [POWER]
2. Tlačidlo [SOURCE]
3. Tlačidlo [MIKROPHON-Mute]
4. Tlačidlo [AKTION]
5. Tlačidlo [VOLUME] –
6. Tlačidlo [VOLUME] +

B. Čelná strana

1. Status LED 1 – 5
2. Status LED aktualizácia

C. Zadná strana

1. Závity pre uchytenie na stenu
2. Tlačidlo [SETUP]
3. Zásuvka Optical-In
4. Zásuvka AUX-IN
5. Zásuvka AUX-OUT
6. USB (Playback & Update)
7. Prívod do siete

D. Diaľkové ovládanie

1. Power
2. Stlmenie reproduktora
3. Akcia
4. Stlmenie mikrofónu
5. Bass +
6. Bass –
7. Vol +
8. Vol –
9. EQ1 (štandard)
10. bez funkcie
11. EQ2 (MyEQ)
12. Optical IN
13. Bluetooth
14. Line-IN
15. Previous
16. Play/Pause
17. Next
18. Pairing

Dôležité upozornenie - návod na použitie:



- Toto je stručný návod, ktorý vám poskytuje dôležité základné informácie, napr. bezpečnostné upozornenia a uvedenie vášho výrobku do prevádzky.
- Z dôvodu ochrany životného prostredia a úspory hodnotných surovín nepoužíva firma Hama vytlačný návod na obsluhu a ponúka ho na stiahnutie výlučne vo forme PDF / eManual na adrese www.hama.com.
- Na jednoduchšie nájdenie použite funkciu hľadania a ako vyhľadávacie slovo číslo výrobku pre vstup do výrobovej dokumentácie.
- Tento návod na používanie si uložte pre prípad neskoršej potreby na počítači a vytlačte si ho podľa možnosti.

1. Vysvetlenie výstražných symbolov a upozornení

Nebezpečenstvo elektrického úderu



Tento symbol upozorňuje na nebezpečenstvo dotyku neizolovaných častí výrobku, ktoré sú eventuálne pod tak vysokým nebezpečným napätím, že hrozí nebezpečenstvo elektrického úderu.

Upozornenie



Tento symbol označuje bezpečnostné upozornenie, ktoré poukazuje na určité riziká a nebezpečenstva.

Poznámka



Tento symbol označuje dodatočné informácie, alebo dôležité poznámky.

2. Obsah balenia

- Hama Smart Speaker „SIRIUM2000AMBT/ SIRIUM2100AMBT“
- Sieťový zdroj
- Diaľkové ovládanie SRC-1805-Layout B
- 2 x batérie AAA
- Užívateľská príručka

3. Bezpečnostné upozornenia

- Výrobok je určený iba pre použitie v interiéri.
- Tento výrobok je určený pre súkromné použitie v domácnosti, nie je určený na komerčné použitie.
- Výrobok chráňte pred znečistením, vlhkosťou a prehriatím a používajte ho len v suchých priestoroch.
- Tento výrobok, rovnako ako všetky elektrické výrobky, nepatria do rúk detí!
- Výrobok nenechajte spadnúť a nevystavujte ho silným otrasom.
- Výrobok neprevádzkujte mimo svojich výkonových medzi uvedených v technických údajoch.
- Obalový materiál uchovávajte mimo dosahu detí, hrozí nebezpečenstvo udusenía.
- Likvidujte obalový materiál okamžite podľa platných miestnych predpisov na likvidáciu odpadov.
- Na prístroji nerobte žiadne zmeny. Dôjde tak ku strate nárokov zo zákonnej zodpovednosti za vady.

Nebezpečenstvo elektrického úderu



- Výrobok neatvárajte a neprevádzkujte ho ďalej, ak je poškodený.
- Výrobok nepoužívajte, ak sú poškodené AC adaptér, adaptérový kábel alebo sieťové vedenie.
- Nepokúšajte sa výrobok samostatne ošetrovať alebo opravovať. Prenechajte akékoľvek úkony údržby kompetentnému odbornému personálu.

Výstraha – batérie



- Dbajte bezpodmienečne na správnu polaritu (značenie + a -) batérií a vložte ich príslušným spôsobom. V prípade nerespektovania hrozí nebezpečenstvo vytečenia alebo výbuchu batérií.
- Deťom nedovoľte výmenu batérií bez dohľadu.
- Použitie batérie nemiešajte s novými, nepoužívajte rozličné typy batérií alebo batérie od rôznych výrobcov.
- Odstráňte batérie z výrobkov, ak ich nebudete dlhšiu dobu používať.
- Batérie neskratujte.
- Batérie nenabíjajte.
- Batérie nevhadzujte do ohňa.
- Batérie uchovávajte mimo dosahu detí.
- Vybité batérie bezodkladne vymeňte a zlikvidujte podľa platných predpisov.

4. Uvedenie do prevádzky

Uvedenie diaľkového ovládača do prevádzky

Otvorte kryt batériového priestoru. Nachádza sa na zadnej strane diaľkového ovládača a otvorí sa posunutím do označeného smeru. Súčasťou dodávky sú aj dve batérie AAA, ktoré sa na uvedenie do prevádzky musia vložiť do batériového priestoru. Pri vkladaní batérií dávajte pozor na správnu polaritu. V batériovom priestore je polarita vyznačená (+/-).

Upozornenie



- Výrobok používajte pripojený iba k schválenej zásuvke. Zásuvka musí byť umiestnená v blízkosti výrobku a musí byť ľahko prístupná.
- Výrobok odpojte od siete vypínačom I/O – ak neexistuje, vytiahnite sieťové vedenie zo zásuvky.
- V prípade viacnásobných zásuviek dávajte pozor na to, aby pripojené spotrebiče neprekročili celkový dovolený príkon.
- Ak výrobok dlhšiu dobu nepoužívate, odpojte ho od elektrickej siete.

Zapnutie

- Napojte sieťový kábel reproduktora na správne inštalovanú zásuvku.
- Reprodukotor sa zapne automaticky.

Upozornenie – pri prvom zapnutí



- Pri prvom zapnutí sa reproduktor nachádza v režime „Prvé nastavenie zariadenia“ a stavové LED diódy (1 – 5) pulzujú.
- Ak režim nastavenia nie je aktívny, krátko stlačte tlačidlo [SETUP] (2) na zadnej strane zariadenia, aby sa aktivoval režim WPS (bliká rýchlo). Alternatívne stlačte a podržte tlačidlo [SETUP] (2) asi 7 sekúnd, aby sa otvoril prístupový bod (AccessPoint) (bliká pomaly).
- Po opätovnom zapnutí blikajú všetky stavové LED diódy (1 – 5) oranžovo až dotedy, kým sa znovu neaktivujú predchádzajúce pripojenia. Môže to trvať aj 20 sekúnd, v závislosti od intenzity internetového signálu, ktorý máte k dispozícii.

Zapnutie / Vypnutie / Pohotovostný režim (standby)

- Stlačte [POWER] (1), aby sa zapol reproduktor. Alternatívne stlačte [POWER] (1) na diaľkovom ovládači.
- Znovu stlačte [POWER] (1) na zariadení alebo diaľkovom ovládači, aby sa reproduktor vypol. (Standby)

Poznámka



- Ak chcete reproduktor úplne vypnúť, odpojte ho od zdroja prúdu.

Nastavenie hlasitosti / Mute

- Na zníženie / zvýšenie hlasitosti stlačte [VOLUME -/+].
- Stlačením [🔊] (2) na diaľkovom ovládači sa vypne hlasitosť na reproduktore.
- Opätovným stlačením [🔊] (2) sa hlasitosť vráti na hodnotu, ktorá bola pred jej vypnutím.

5. Nastavenie reproduktora

Poznámka



- Aby ste mohli využívať všetky funkcie produktu, je potrebné si stiahnuť aplikáciu Amazon Alexa a založiť účet na Amazone. Postupujte podľa pokynov v aplikácii Amazon Alexa. Ďalšie informácie nájdete na www.amazon.com.

5.1 Stiahnutie aplikácie Hama Smart Audio

Poznámka



Zariadenie podporuje nasledovné operačné systémy:

- iOS 8 alebo vyšší
- Android 4.4.2 alebo vyšší

- Otvorte iTunes AppStore alebo Google Play Store na svojom smartfóne.
- Použite hľadaný výraz „Hama Smart Audio“.
- Stiahnite aplikáciu obvyklým spôsobom a nainštalujte ju na svoj smartfón. Postupujte podľa pokynov na smartfóne.

5.2 Prvé nastavenie zariadenia pomocou aplikácie Hama Smart Audio (Funkcia ALEXA)

Poznámka WLAN (bezdrôtová sieť)



- Presvedčte sa, či je router zapnutý a či je vytvorené internetové/sieťové spojenie.
- Ak ste tak ešte neurobili, aktivujte WLAN pripojenie vášho routera.
- Ak by vám v súvislosti s konfiguráciou routera bolo niečo nejasné, na vyhľadanie poruchy/riešenie problému použite návod na používanie routera.

- Uistite sa, že reproduktor je v režime WLANPairing. Stavové LED diódy (1 – 5) blikajú.
- Uistite sa, či je aplikácia Hama Smart Audio nainštalovaná vo vašom smartfóne, a či boli nainštalované aj všetky aktualizácie.
- Otvorte aplikáciu Hama Smart Audio App a dotknite sa [CONFIGURE].

- Následne sa dotknite [Add More Speakers].
- Otvorte nastavenia WLAN vášho smartfónu dotknutím sa [OPEN Settings].
- Vyhľadajte v nastaveniach WLAN vášho smartfónu reproduktor Hama SIRIUM2000AMBT/SIRIUM2100AMBT.

Poznámka



- Reproduktor vytvorí vlastnú sieť WLAN, ktorá má označenie SIRIUMSetup a prvých šesť miest adresy MAC. (napr. SIRIUMSetup_E69EBB) Táto sieť WLAN nepotrebuje heslo.

- Spojte svoj smartfón s reproduktorom.
- Teraz sa vráťte do aplikácie Hama Smart Audio na vašom smartfóne.
- Vyberte požadovaný názov siete WLAN (SSID), s ktorou chcete spojiť reproduktor.
- Ak je to potrebné, zadajte teraz váš sieťový kľúč a potvrďte so [Save].
- Zvolené nastavenia potvrďte dotykem na [CONFIRM].
- Reproduktor sa teraz spojí so sieťou. Po úspešnom pripojení, sa na smartfóne ukáže „Reproduktor úspešne nakonfigurovaný“.
- LED diódy sa zhasnú po niekoľkých sekundách.

Poznámka



- Pri operačnom systéme iOS sa môže stať, že sa aplikácia medzitým zatvorí a musí sa znova spustiť. Potom vykonajte dva nasledovné kroky.
- Nastavená zvuková lišta (soundbar) by sa teraz mala zobrazíť v hlavnom menu. Stlačte ikonu reproduktora.
- Dotknite sa [Quellen] na spodnom okraji displeja, aby sa uskutočnilo pripojenie k vášmu účtu Amazon.
- Následne sa dotknite ikony [Amazon Alexa].

- Dotknite sa [Sign in with Amazon], aby sa otvoril Webbrowser pre zadanie vašich prístupových údajov.

Poznámka



- Ak už bola aplikácia Amazon Shopping na vašom smartfóne nainštalovaná a nastavená, nasledujúce kroky preskočte.
- Klávesnicou vášho smartfónu zadajte prístupové údaje k vášmu účtu Amazon a zadanie potvrďte pomocou prihlásenia.
- Alternatívne môžete dotykem na [Vytvoriť nový účet Amazon] vytvoriť nový účet.

- Po úspešnom prihlásení, sa dostanete znovu späť na aplikáciu Hama Smart Audio.
- Teraz si zvolte jazyk, na ktorý má Alexa v budúcnosti reagovať.
- Otvorte aplikáciu Amazon Alexa a príp. znovu zadajte svoje prístupové údaje. Pri pripojení na vaše aktívne zariadenia by ste mali nájsť reproduktor.

- Následne vykonajte v aplikácii Amazon Alexa svoje osobné nastavenia (časová zóna, názov zariadenia atď.). Ďalšie informácie k tomu nájdete na stránke www.amazon.de -> Pomoc a Zákaznícky servis.

Poznámka

- Ak už bola aplikácia Amazon Market na vašom smartfóne nainštalovaná a nastavená, niektoré smartfóny prevezmú používateľské údaje priamo z aplikácie.
- Ak chcete vytvoriť nový účet Amazon, odhliáste sa a zopakujte kroky opísané v tejto kapitole.

Poznámka Alexa Push to talk/ Function Key

- Krátko stlačte tlačidlo [Aktion] (4) na reproduktore, aby sa počas audioprevádzky, resp. vysokej hlasitosti aktivovala Alexa. Alternatívne stlačte tlačidlo [Aktion] (3) na diaľkovom ovládači.
- Stlačte tlačidlo [Mikrofon Mute] (3), aby sa vypol mikrofón. Ak sú mikrofóny deaktivované, trvalo svietia stavové LED diódy (1 – 5) na červeno. Alternatívne stlačte tlačidlo [Stlmenie mikrofónu] (4) na diaľkovom ovládači.
- Teraz už reproduktor nereaguje na aktivačné slovo, kým sa mikrofóny znovu neaktivujú.
- Znovu stlačte tlačidlo [Mikrophone Mute] (3), aby sa mikrofón opäť aktivoval. Alternatívne stlačte tlačidlo [Stlmenie mikrofónu] (4) na diaľkovom ovládači. Stavové LED diódy (1 – 5) zhasnú.

6. Prvé spojenie Bluetooth (párovanie)

Prostredníctvom funkcie Bluetooth môžete vaše koncové zariadenia spárovať s reproduktorom a použiť ho ako prehrávacie zariadenie pre audiosignály. Ovládanie prehrávania sa pritom uskutoční priamo prostredníctvom koncového zariadenia alebo diaľkového ovládača. Hlasnosť môžete ovládať aj priamo na reproduktore.

Poznámka – Bluetooth®

- Skontrolujte, či má vaše koncové zariadenie (smartfón, tabletový počítač atď.) funkciu Bluetooth.
- Upozorňujeme, že dosah funkcie *Bluetooth®* je max. 10 m bez prekážok, ako sú steny, osoby atď.
- Môže sa stať, že spojenie je rušené ďalšími zariadeniami/spojeniami *Bluetooth®* v okolí.
- Reproduktor môže byť spárovaný vždy iba s jedným koncovým zariadením.
- Upozorňujeme, že kompatibilita závisí od podporovaných profilov *Bluetooth®*, ako aj použitých verzií *Bluetooth®*. (pozrite: Technické údaje, Návod na obsluhu použitého koncového zariadenia).

- Zabezpečte, aby bolo zapnuté vaše koncové zariadenie s podporou Bluetooth a aby bola funkcia Bluetooth aktivovaná.
- Režim Bluetooth aktivujte opakovaným stláčaním tlačidla [SOURCE] (2) na reproduktore.
- Alternatívne stlačte [Bluetooth] (13) na diaľkovom ovládači.
- Stavová LED dióda Bluetooth (4) začne pulzovať na modro.
- Stlačte a podržte tlačidlo [SOURCE] (2) na asi 2 sekundy, aby sa aktivoval režim párovania. Stavová LED dióda Bluetooth (4) začne blikať na modro a zaznie signalizačný tón.
- Otvorte na vašom koncovom zariadení nastavenia Bluetooth a počkajte, kým sa v zozname nájdenej zariadení Bluetooth nezobrazí Hama SIRIUM2000AMBT/SIRIUM2100AMBT.
- Prípadne spustíte vyhľadávanie zariadení Bluetooth na vašom koncovom zariadení.
- V zozname dostupných zariadení zvolte reproduktor Hama SIRIUM2000AMBT/SIRIUM2100AMBT a počkajte, kým sa reproduktor nezobrazí v nastaveniach Bluetooth vášho koncového zariadenia ako spárovaný.
- LED indikátor stavu Bluetooth (4) teraz neprerušovane svieti na modro.
- Spustíte a ovládajte audio reprodukciu prostredníctvom koncového zariadenia, resp. diaľkového ovládača.

Upozornenie – Bluetooth® heslo

Niektoré koncové zariadenia potrebujú na vytvorenie spojenia s iným *Bluetooth®* zariadením heslo.

- Keď vás vaše koncové zariadenie vyzve na zadanie hesla kvôli spojeniu s reproduktorom, zadajte heslo **0000**.

7. Pripojenie prostredníctvom Optical IN

Prostredníctvom digitálneho audio vstupu reproduktora môžete pripojiť svoje koncové zariadenie (napr. televízor) a jeho audio signál prehrávať cez reproduktor.

Poznámka



- Skôr, ako pripojíte koncové zariadenie na reproduktor, tento reproduktor vypnite.
 - Pred pripojením odstráňte z obidvoch koncov optického kábla na prenos signálu ochranné kryty.
 - Kábel neohýňajte a nepritláčajte.
- Na prehrávanie prostredníctvom optického audio pripojenia pripojte optický signálový kábel na optický audio vstup reproduktora a na optický výstup vášho koncového zariadenia a zvolte režim Optical.
- Stlačte a podržte [POWER] (1) na asi 3 sekundy, aby sa zapol reproduktor.
- Opakovaným stláčaním tlačidla [SOURCE] (2) na reproduktore aktivujte režim Optical.
- Stavová LED dióda Optical (4) svieti na fialovo, keď je aktívovaný režim Optical.
- Alternatívne stlačte [Optical IN] (12) na diaľkovom ovládači.

8. Pripojenie prostredníctvom Auxiliary In/Auxiliary Out

Prostredníctvom audio vstupu môžete pripojiť mobilné koncové zariadenia (napr. smartfón, tablet PC, MP3 prehrávač atď.) a staršie analógové zdroje (CD-/DVD-Player atď.) a ich audiosignál reprodukovať prostredníctvom reproduktora. Tu máte možnosť pripojenia cez 3,5 mm audio kábel (kábel s konektorom).

Prostredníctvom analógového audio výstupu (5) sa môžu pripojiť ďalšie reproduktory, cez ktoré sa takisto môže reprodukovať audio signál.

Poznámka



- Skôr, ako pripojíte koncové zariadenie na reproduktor, tento reproduktor vypnite.
 - Kábel neohýňajte a nepritláčajte.
- Na prehrávanie prostredníctvom pripojenia AUX-In pripojte svoje koncové zariadenie cez zásuvku AUX-In (4) prostredníctvom 3,5 mm audio kábla (kábel s konektorom) na reproduktor a zvolte režim AUX.
- Na prehrávanie prostredníctvom pripojenia AUX-Out pripojte napr. ďalšie reproduktory / zosilňovač cez zásuvku AUX-Out (5) prostredníctvom 3,5 mm audio kábla (kábel s konektorom) na reproduktor a zvolte režim AUX.
- Stlačte [POWER] (1), aby sa zapol reproduktor.
- Opakovaným stláčaním tlačidla [SOURCE] (2) na reproduktore aktivujte režim AUX.
- Stavová-LED dióda (4) svieti na modrozeleno, keď bol zvolený režim AUX.

- Spustíte a ovládajte audio reprodukciu prostredníctvom pripojeného koncového zariadenia.
- Alternatívne stlačte [LINE IN] (14) na diaľkovom ovládači.

9. Výrobné nastavenie

Ak chcete na reproduktore obnoviť nastavenia výrobcu (stav pri dodávke), postupujte nasledovne:

- Stlačte a podržte tlačidlá [SETUP] (2) a [AKTION] (4) na cca 6 sekúnd, aby sa vrátilo nastavenie výrobcu.
- Po úspešnom vrátení na výrobné nastavenie sa reproduktor spustí znovu.

Poznámka



- Problémy a chybné funkcie sa môžu odstrániť obnovením výrobných nastavení.
- Avšak všetky prednastavenia ako ekvalizér, obľúbené položky a sieťové profily sa definitívne vymažú.

10. Údržba a starostlivosť

- Na čistenie tohto výrobku používajte len navlhčenú utierku, ktorá nepúšťa vlákna a nepoužívajte žiadne agresívne čistiace prostriedky.
- Ak výrobok nebudete dlhšiu dobu používať, vypnite zariadenie a odpojte ho od napájania. Ušchovajte ho na čistom, suchom mieste bez priameho slnečného žiarenia.

11. Vylúčenie záruky

Firma Hama GmbH & Co KG neručí/nezodpovedá za škody vyplývajúce z neodbornej inštalácie, montáže alebo neodborného používania výrobku alebo z nerešpektovania návodu na používanie a/alebo bezpečnostných pokynov.

12. Vyhlásenie o zhode

CE Hama GmbH & Co KG týmto vyhlasuje, že rádiové zariadenie typu [00054881, 00054882, 00054886, 00054887] je v súlade so smernicou 2014/53/EÚ. Úplné EÚ vyhlásenie o zhode je k dispozícii na tejto internetovej adrese: www.hama.com -> 00054881, 00054882, 00054886, 00054887 -> Downloads.

Frekvenčné pásmo resp. pásma	Bluetooth: 2.402 GHz - 2.480 GHz WiFi: 2.402 GHz – 2.480 GHz WiFi: 2.412 GHz – 2.483 GHz WiFi: 5.150 GHz – 5.350 GHz WiFi: 5.470 GHz – 5.725 GHz
Maximálny vysokofrekvenčný	Bluetooth: 4 dBm (EIRP) WiFi: 2.4 GHz / 19.5 dBm (EIRP) WiFi: 5 GHz / 16.5 dBm (EIRP)

Obmedzenia alebo požiadavky na

Belgicko, Bulharsko, Česká republika, Dánsko, Nemecko, Estónsko, Írsko, Grécko, Španielsko, Francúzsko, Chorvátsko, Taliansko, Cyprus, Lotyšsko, Litva, Luxembursko, Maďarsko, Malta, Holandsko, Rakúsko, Poľsko, Portugalsko, Rumunsko, Slovinsko, Slovensko, Fínsko, Švédsko, Spojené kráľovstvo

Poznámka



Keď sa používajú kanály 36-64 (frekvencia 5,150 GHz – 5,350 GHz) v 5 GHz WLAN, môže sa výrobok používať len v uzavretých priestoroch.

Elementos de comando e indicadores

A. Painel de comandos do altifalante

1. Botão [LIGAR/DESLIGAR]
2. Botão [FONTE]
3. Botão [Silenciar MICROFONE]
4. Botão [AÇÃO]
5. Botão [VOLUME] -
6. Botão [VOLUME] +

B. Parte da frente

1. LEDs de estado 1-5
2. Status LED Update

C. Parte de trás

1. Rosca para suporte de parede
2. Botão [CONFIGURAR]
3. Tomada Optical In
4. Tomada AUX In
5. Tomada AUX Out
6. USB (reprodução e atualização)
7. Cabo de alimentação

D. Comando à distância

1. Ligar/desligar
2. Silenciar altifalante
3. Ação
4. Silenciar microfone
5. Bass +
6. Bass -
7. Vol +
8. Vol -
9. EQ1 (Standard)
10. sem função
11. EQ2 (MyEQ)
12. Optical IN
13. Bluetooth
14. Line IN
15. Anterior
16. Reproduzir/Pausa
17. Seguinte
18. Emparelhamento

Nota importante - Manual de instruções:



- O presente documento contém instruções resumidas, que lhe fornecem informações básicas importantes, como indicações de segurança e informações sobre a colocação em funcionamento do seu produto.
- Por motivos de proteção ambiental e de poupança de recursos valiosos, a empresa Hama prescinde de um manual de instruções impresso e oferece o mesmo exclusivamente como ficheiro PDF/manual eletrónico em www.hama.com.
- Para uma fácil localização, utilize a função de pesquisa e introduza o número do artigo como termo de pesquisa para encontrar a documentação do produto.
- Guarde este manual de instruções no seu computador para consulta e imprima-o, se necessário.

1. Descrição dos símbolos de aviso e das notas

Perigo de choque eléctrico



Este símbolo remete para um perigo de toque de partes não isoladas do produto eventualmente condutoras de tensão perigosa que poderão representar um perigo de choque eléctrico.

Aviso



É utilizado para identificar informações de segurança ou chamar a atenção para perigos e riscos especiais.

Nota



É utilizado para identificar informações adicionais ou notas importantes.

2. Conteúdo da embalagem

- Smart Speaker Hama "SIRIUM2000AMBT/SIRIUM2100AMBT"
- fonte de alimentação
- comando à distância SRC-1805-Layout B
- 2 pilhas AAA
- guia rápido

3. Indicações de segurança

- O produto é adequado apenas para instalação em interiores.
- O produto está previsto apenas para utilização doméstica e não comercial.
- Proteja o produto contra sujidade, humidade e sobreaquecimento e utilize-o somente em espaços secos.
- Este produto não deve ser manuseado por crianças, tal como qualquer produto elétrico!
- Não deixe cair o produto, nem o submeta a choques fortes.
- Não utilize o produto fora dos limites de desempenho indicados nas especificações técnicas.
- Mantenha o material da embalagem fora do alcance das crianças. Existe perigo de asfixia.
- Elimine imediatamente o material da embalagem em conformidade com as normas locais aplicáveis.
- Não efetue modificações no aparelho. Caso contrário, perderia todos os direitos de garantia.

Perigo de choque eléctrico



- Não abra o produto, nem o continue a utilizar em caso de danos.
- Não utilize o produto se o transformador CA, o cabo adaptador ou o cabo de alimentação estiver danificado.
- Não tente fazer qualquer manutenção ou reparação do produto. Qualquer trabalho de manutenção deve ser executado por técnicos especializados.

Aviso – Pilhas



- Ao colocar as pilhas, tenha em atenção a polaridade correta (inscrições + e -). A não observação da polaridade correta poderá levar a um derramamento ou explosão das pilhas.
- Não deixe crianças substituírem as pilhas sem vigilância.
- Não utilize pilhas de diferentes tipos ou fabricantes, nem misture pilhas novas e usadas.
- Remova as pilhas do produto se este não for utilizado durante um longo período de tempo.
- Não provoque um curto-circuito nas pilhas.
- Não recarregue as pilhas.
- Não coloque as pilhas no fogo.
- Mantenha as pilhas fora do alcance das crianças.
- Retire imediatamente pilhas gastas do produto e elimine-as adequadamente.

4. Colocação em funcionamento

Colocar o comando à distância em funcionamento

Abra da tampa do compartimento das pilhas. Esta tampa está na parte de trás do comando à distância, e pode ser aberta deslizando-a na direção indicada. Do âmbito de fornecimento fazem parte duas pilhas AAA que tem de colocar no compartimento das pilhas para poder colocar o comando à distância em funcionamento. Ao colocar as pilhas, certifique-se de que as coloca com a polaridade correta. A polaridade a ser observada (+ / -) está inscrita no compartimento das pilhas.

Aviso



- Ligue o produto apenas a uma tomada eléctrica adequada. A tomada eléctrica deve estar localizada na proximidade do produto e deve ser facilmente acessível.
- Desligue o produto da rede eléctrica com o botão de ligar/desligar e se o produto não possuir este botão, retire a ficha da tomada eléctrica.
- No caso de tomadas múltiplas, certifique-se de que os aparelhos ligados não excedem o consumo total de energia permitido.
- Desligue o produto da rede eléctrica quando não o utilizar durante um longo período.

Ligar

- Ligue o cabo de rede do altifalante a uma tomada eléctrica corretamente instalada.
- O altifalante liga-se automaticamente.

Nota – primeira ligação



- Aquando da primeira ligação, o altifalante está no modo "Ersteinrichtung des Gerätes" (Configuração inicial do equipamento) e os LEDs de estado (1-5) pulsam.
- Se o modo de configuração não estiver ativo, prima brevemente o botão [CONFIGURAR] (2), na parte de trás do equipamento, para ativar o modo WPS (pulsar rapidamente). Em alternativa, mantenha premido o botão [CONFIGURAR] (2) durante cerca de 7 segundos, para abrir um AccessPoint (pulsar lentamente).
- Quando volta a ser ligado, todos os LEDs de estado (1-5) pulsam a cor de laranja até as ligações já ativadas voltarem a ser restabelecidas. Dependendo da intensidade do sinal da Internet, isto pode demorar até 20 segundos.

Ligar/desligar/modo de espera

- Prima o botão [LIGAR/DESLIGAR] (1) para ligar o altifalante. Em alternativa, prima o botão [LIGAR/DESLIGAR] (1) do comando à distância.
- Volte a premir o botão [LIGAR/DESLIGAR] (1) do equipamento ou do comando à distância para desligar o altifalante. (Modo de espera)

Nota



- Para desligar completamente o altifalante, desligue-o da rede elétrica.

Regular o volume de som/ modo silencioso

- Prima o botão [VOLUME +/-] para baixar/aumentar o volume de som.
- Prima [Mudo] (2) do comando à distância para silenciar o altifalante.
- Prima novamente [Mudo] (2) para repor o volume de som no valor definido antes da ativação do modo silencioso.

5. Configuração do altifalante

Nota



- Para poder utilizar todas as funções do produto, é necessário descarregar adicionalmente a aplicação Alexa da Amazon, bem como criar uma conta Amazon. Para isso, siga as instruções na aplicação Alexa da Amazon. Para mais informações, consulte a página www.amazon.com.

5.1 Descarregar a app Hama Smart Audio

Nota



- São suportados os seguintes sistemas operativos:
- iOS 8 ou superior
 - Android 4.4.2 ou superior

- Vá à iTunes AppStore ou à Google Play Store no seu Smartphone.
- Pesquise por "Hama Smart Audio".
- Descarregue a app da forma habitual e instale-a no seu Smartphone. Siga as instruções do seu Smartphone.

5.2 Configuração inicial do equipamento com a app Hama Smart Audio (função ALEXA)

Nota - WLAN (rede sem fio)



- Certifique-se de que o router está ligado e de que existe uma ligação à Internet/rede.
- Se ainda não estiver ligada, ative a ligação WLAN do seu router.
- Caso tenha dúvidas relativamente à configuração do router, utilize o manual de instruções do router para o diagnóstico de falhas/resolução de problemas.

- Certifique-se de que o altifalante está no modo WLANPairing. Os LEDs de estado (1-5) pulsam.

- Certifique-se de que a app Hama Smart Audio está instalada no seu Smartphone e de que foram instaladas todas as atualizações.
- Abra a app Hama Smart Audio e toque em [CONFIGURAR].
- Em seguida, toque em [Adicionar mais altifalantes].
- Abra as definições de WLAN do seu Smartphone tocando em [ABRIR Definições].
- Nas definições de WLAN do seu Smartphone procure o altifalante Hama SIRIUM2000AMBT/SIRIUM2100AMBT.

Nota



- O altifalante cria a sua própria rede WLAN, cujo nome é composto pela designação SIRIUMSetup e pelas seis primeiras posições do endereço MAC. (P.ex., SIRIUMSetup_E69EBB) Esta WLAN não precisa de palavra-passe

- Emparelhe o seu Smartphone com o altifalante.
- Abra a app Hama Smart Audio no seu Smartphone.
- Selecione o nome da WLAN (SSID) a que quer ligar o altifalante.
- Se necessário, introduza a sua palavra-passe da rede e confirme com [Guardar].
- Confirme as configurações feitas tocando em [CONFIRMAR].
- O altifalante liga-se à rede. Concluído o emparelhamento com êxito, é apresentada a mensagem "Lautsprecher erfolgreich konfiguriert" (Altifalante configurado com êxito) no Smartphone.
- Passados alguns segundos os LEDs apagam-se.

Nota



- Nos dispositivos iOS pode dar-se o caso de a app ser fechada, e ter de voltar a ser iniciada. Seguidamente, descreva as duas operações que se seguem.
- A Soundbar criada deve agora ser visível no menu principal. Toque no ícone do altifalante.
- Toque em [Fontes] na parte inferior do ecrã para estabelecer uma ligação à sua conta Amazon.
- Em seguida, toque no botão [Amazon Alexa].

- Toque em [Iniciar sessão com a Amazon] para abrir o browser e introduzir os seus dados de acesso.

Nota



- Se a app Amazon Shopping já tiver sido instalada e configurada no seu Smartphone, pode ignorar as operações que se seguem.
- Introduza os seus dados de acesso à sua conta Amazon com o teclado do seu Smartphone e confirme a introdução feita com Início de Sessão.
- Em alternativa, pode tocar em [Criar uma conta Amazon nova] para criar uma conta Amazon nova.

- Após um início de sessão bem-sucedido, voltará a ver a app Hama Smart Audio.
- Selecione agora o idioma a que, futuramente, o Alexa deverá reagir.
- Abra a app Amazon Alexa e, se necessário, volte a introduzir os seus dados de acesso. Isto feito, deverá ver o altifalante nos seus dispositivos ativos.
- Proceda então às suas configurações pessoais (fuso horário, nome do dispositivo, etc.) na app Amazon Alexa. Para mais informações, vá a www.amazon.de -> Hilfe und Kundenservice.

Nota

- Se a app Amazon Market já tiver sido instalada e configurada no seu Smartphone, alguns Smartphones obtêm os dados do utilizador diretamente desta app.
- Se quiser criar uma nova conta Amazon, termine a sua sessão e repita as operações descritas neste capítulo.

Nota Alexa Push to talk/ Function Key

- Prima brevemente o botão [Ação] (4) no altifalante para ativar o Alexa durante a operação áudio ou para ativar um volume de som mais alto. Em alternativa, prima o botão [Ação] (3) do comando à distância.
- Prima o botão [Silenciar MICROFONE] (3) para desligar os microfones. Uma vez desativados os microfones, os LEDs de estado (1-5) ficam continuamente acesos a vermelho. Em alternativa, prima o botão [Silenciar Microfone] (4) do comando à distância
- O altifalante deixa de reagir à palavra de ativação até os microfones voltarem a ser ativados.
- Para voltar a ativar os microfones, volte a premir o botão [Silenciar MICROFONE] (3). Em alternativa, prima o botão [Silenciar Microfone] (4) do comando à distância. Os LEDs de estado (1-5) apagam-se.

6. Primeira ligação Bluetooth (emparelhamento)

Os seus dispositivos podem ser conectados à coluna através de Bluetooth para poder usá-los como aparelhos de reprodução de sinais áudio. Neste caso, o controlo da reprodução efetua-se diretamente através do dispositivo terminal ou do comando à distância. O volume também pode ser regulado diretamente na coluna.

Nota – Bluetooth®

- Verifique se o seu dispositivo móvel (smartphone, tablet PC, etc.) é compatível com Bluetooth.
- Tenha em atenção que o alcance máximo do *Bluetooth®* é de 10 metros, sem obstáculos como paredes, pessoas, etc.
- A ligação pode sofrer interferências devido a outros dispositivos/ligações *Bluetooth®* na área.
- A coluna só pode estar emparelhada com um dispositivo.
- Tenha em conta que a compatibilidade depende dos perfis *Bluetooth®* suportados, bem como das versões *Bluetooth®* usadas. (ver: dados técnicos, manual de instruções do dispositivo utilizado)
- Certifique-se de que o seu dispositivo compatível com Bluetooth está ligado e de que o Bluetooth está ativado.
- Prima repetidamente o botão [FONTE] (2) do altifalante para ativar o Modo Bluetooth.
- Em alternativa, prima o botão [Bluetooth] (13) do comando à distância.
- O LED de estado Bluetooth (4) começa a pulsar a azul.
- Mantenha o botão [FONTE] (2) premido durante cerca de 2 segundos para ativar o modo Pairing. O LED de estado Bluetooth (4) começa a piscar a azul e é emitido um sinal sonoro.
- Abra o menu de definições Bluetooth no seu dispositivo e aguarde até que Hama SIRIUM2000AMBT/ SIRIUM2100AMBT seja apresentado na lista de dispositivos Bluetooth encontrados.
- Se necessário, inicie a procura por outros dispositivos Bluetooth no seu dispositivo.
- Selecione a coluna Hama SIRIUM2000AMBT/ SIRIUM2100AMBT na lista de dispositivos disponíveis e aguarde até que a coluna seja apresentada como estando ligada nas definições Bluetooth do seu dispositivo.
- O LED de estado Bluetooth (4) acende agora permanentemente a azul.
- Inicie e controle a reprodução de áudio em conformidade, através do dispositivo terminal ou do comando à distância.

Nota – palavra-passe Bluetooth®

Alguns dispositivos requerem a introdução de uma palavra-passe para estabelecer a ligação a outro dispositivo *Bluetooth®*.

- Introduza a palavra-passe **0000** para estabelecer a ligação ao altifalante se tal lhe for solicitado pelo seu dispositivo.

7. Ligação através de Optical IN

Através da entrada áudio digital do altifalante pode ligar o seu equipamento terminal (um televisor, por exemplo) ao altifalante e reproduzir o respetivo sinal áudio através do mesmo.

Nota



- Desligue o altifalante antes de lhe ligar qualquer equipamento terminal.
 - Antes de proceder à ligação, remova as tampas de proteção das duas extremidades do cabo ótico.
 - Não dobre nem esmague o cabo.
- Para uma reprodução através da ligação áudio ótica, ligue um cabo ótico à entrada áudio ótica do altifalante e à saída áudio ótica do seu equipamento terminal e selecione o modo Optical.
- Mantenha o botão [LIGAR/DESLIGAR] premido durante cerca de 3 segundos (1) para ligar o altifalante.
- Prima repetidamente o botão [FONTE] (2) do altifalante para ativar o modo Optical.
- Quando o modo Optical é ativado, o LED de estado Optical (4) acende-se a lilás.
- Em alternativa, prima o botão [Optical IN] (12) do comando à distância.

8. Ligação através de AUX In/AUX Out

A entrada áudio analógica permite-lhe ligar equipamentos terminais móveis (p.ex., Smartphone, tablet PC; leitor de MP3, etc.) e fontes analógicas mais antigas (leitor de CDs/DVDs, etc.) ao altifalante e reproduzir o respetivo sinal áudio através do altifalante. Neste caso, a ligação pode ser feita com um cabo áudio de 3,5 mm (cabo jack). A saída áudio analógica (5) permite-lhe ligar outros altifalantes, através dos quais o sinal áudio também é reproduzido.

Nota



- Desligue o altifalante antes de lhe ligar qualquer equipamento terminal.
 - Não dobre nem esmague o cabo.
- Para uma reprodução através da ligação AUX In, ligue o seu equipamento terminal ao altifalante através da tomada AUX In (4) com um cabo áudio de 3,5 mm (cabo jack), e selecione o modo AUX.
- Para uma reprodução através da ligação AUX Out, ligue outros altifalantes/um amplificador, por exemplo, ao altifalante através da tomada AUX Out (5), com um cabo áudio de 3,5 mm (cabo jack) e selecione o modo AUX.
- Prima o botão [LIGAR/DESLIGAR] (1) para ligar o altifalante.
- Prima repetidamente o botão [FONTE] (2) do altifalante para ativar o modo AUX.

- Quando o modo AUX é selecionado, o LED de estado (4) acende-se a ciano.
- Inicie e controle a reprodução áudio em conformidade, através do equipamento terminal ligado.
- Em alternativa, prima o botão [Line IN] (14) do comando à distância.

9. Definições de fábrica

Para repor as definições de fábrica do altifalante (estado de fornecimento), proceda conforme se segue:

- Mantenha os botões [CONFIGURAR] (2) e [Ação] (4) premidos durante cerca de 6 segundos, para repor as definições de fábrica do altifalante.
- Uma vez repostas as definições de fábrica com êxito, o altifalante volta a ser iniciado.

Nota



- Eventuais problemas e anomalias poderão ser resolvidos através da reposição das definições de fábrica.
- No entanto, todas as definições efetuadas, como equalizador, favoritos e os perfis de rede, são eliminadas de forma definitiva.

10. Manutenção e conservação

Limpe o produto apenas com um pano sem pelos ligeiramente humedecido e não utilize produtos de limpeza agressivos.

Caso não pretenda utilizar o produto durante um período prolongado, desligue-o e retire a ficha da tomada elétrica. Armazene-o num local limpo e seco, sem exposição solar direta.

11. Exclusão de responsabilidade

A Hama GmbH & Co KG não assume qualquer responsabilidade ou garantia por danos provocados por uma instalação, montagem ou manuseamento incorreto do produto ou pelo não cumprimento das instruções de utilização e/ou das informações de segurança.

12. Declaração de conformidade

CE O(a) abaixo assinado(a) Hama GmbH & Co KG declara que o presente tipo de equipamento de rádio [00054881, 00054882, 00054886, 00054887] está em conformidade com a Diretiva 2014/53/UE. O texto integral da declaração de conformidade está disponível no seguinte endereço de Internet:
www.hama.com -> 00054881, 00054882, 00054886, 00054887 -> Downloads.

Banda(s) de frequências	Bluetooth: 2.402 GHz - 2.480 GHz WiFi: 2.402 GHz – 2.480 GHz WiFi: 2.412 GHz – 2.483 GHz WiFi: 5.150 GHz – 5.350 GHz WiFi: 5.470 GHz – 5.725 GHz
Potência máxima transmitida	Bluetooth: 4 dBm (EIRP) WiFi: 2.4 GHz / 19.5 dBm (EIRP) WiFi: 5 GHz / 16.5 dBm (EIRP)

Restrições ou Requisitos

Bélgica, Bulgária, República Checa, Dinamarca, Alemanha, Estónia, Irlanda, Grécia, Espanha, França, Croácia, Itália, Chipre, Letónia, Lituânia, Luxemburgo, Hungria, Malta, Países Baixos, Áustria, Polónia, Portugal, Roménia, Eslovénia, Eslováquia, Finlândia, Suécia, Reino Unido

Nota



Se utilizar os canais 36-64 (frequência 5,150 GHz – 5,350 GHz) na WLAN de 5 GHz, o produto só pode ser utilizado em locais fechados.

Kumanda ve gösterge elemanları

A. Hoparlör kumanda alanı

1. [GÜÇ] TUŞU
2. [KAYNAK] TUŞU
3. [MIKROFON SESSİZ] TUŞU
4. [EYLEM] TUŞU
5. [SES] - TUŞU
6. [SES] + TUŞU

B. Ön taraf

1. Durum LED'i 1-5
2. Durum LED'i güncellemesi

C. Arka taraf

1. Duvar tutucusu için dişi
2. [KURULUM] tuşu
3. Optik giriş yuvası
4. AUX-In yuvası
5. AUX-Out yuvası
6. USB (oyunatma ve güncelleme)
7. Şebeke beslemesi

D. Uzaktan kumanda

1. Güç
2. Hoparlör sessiz
3. Eylem
4. Mikrofon sessiz
5. Bas +
6. Bas -
7. Ses +
8. Ses -
9. EQ1 (standart)
10. İşlevsiz
11. EQ2 (MyEQ)
12. Optical IN
13. Bluetooth
14. Line-IN
15. Önceki
16. Oynat / Duraklat
17. Sonraki
18. Eşleştir

Önemli uyarı - kullanım kılavuzu:



- İşbu kılavuz bir kısa kılavuzdur ve güvenlik uyarıları ve ürünün devreye alınması gibi önemli temel bilgileri sağlar.
- Çevre koruması ve önemli ham maddelerin korunması hedefiyle Hama firması, ürüne basılı bir kullanım kılavuzu eklememiştir ve kılavuzu sadece www.hama.com adresi üzerinden elektronik PDF dosyası / eManual olarak sunmaktadır.
- Web sitesinde ürün belgelerine ulaşmak için arama işlevini kullanın ve aranan terim olarak ürün numarasını girin.
- Kullanım kılavuzunu başvuru kaynağı olarak bilgisayarınızda kaydedin ve imkanlarınıza göre yazdırın.

1. Uyarı sembollerinin ve uyarıların açıklanması

Elektrik şoku tehlikesi



Bu sembol üründeki yalıtılmamış parçalara temas etme tehlikesine işaret etmektedir. Bu parçalar bir elektrik çoku tehlikesi oluşturabilecek yükseklikte tehlikeli gerilimler taşıyor olabilir.

Uyarı



Güvenlik uyarılarını işaretlemek veya özellikle tehlikeli durumlara dikkat çekmek için kullanılır.

Not



Ek bilgileri veya önemli uyarıları işaretlemek için kullanılır

2. Paketin içindekiler

- Hama akıllı hoparlör "SIRIUM2000AMBT/SIRIUM2100AMBT"
- Güç kaynağı
- Uzaktan kumanda SRC-1805-Layout B
- 2 adet AAA pil
- Hızlı başlangıç kılavuzu

3. Güvenlik uyarıları

- Bu ürün sadece bina içinde kullanmak için tasarlanmıştır.
- Bu ürün ticari olmayan özel evsel kullanım için öngörülmüştür.
- Cihazı kire, neme ve aşırı ısınmaya karşı koruyun ve sadece kuru mekanlarda kullanın.
- Bu ürün, diğer elektrikli ürünler gibi çocuklar tarafından kullanılmamalıdır!
- Ürünü yere düşürmeyin ve aşırı sarsıntılara maruz bırakmayın.
- Ürünü teknik bilgilerde verilen kapasite sınırları dışında kullanmayın.
- Çocukları ambalaj malzemelerinden mutlaka uzak tutun; boğulma tehlikesi var.
- Ambalaj malzemelerini yerel olarak geçerli talimatlara uygun olarak atık toplamaya veriniz.
- Cihazda herhangi bir değişiklik yapmayın. Aksi takdirde tüm garanti hakları yitirilir.

Elektrik şoku tehlikesi



- Ürünün içini açmayın ve hasarlı ürünleri çalıştırmayın.
- AC adaptörü, adaptör kablosu veya şebeke kablosu arızalı olan ürünü kullanmayın.
- Ürünü kendiniz onarmaya veya bakımını yapmaya çalışmayın. Tüm bakım çalışmalarını yetkili uzman personele yaptırın.

Uyarı - Piller



- Pilleri yerleştirirken kutuplarının (+ ve - işaretleri) doğru olmasına dikkat edin ve pilleri buna göre yerleştirin. Dikkat edilmediğinde pil akabilir veya patlayabilir.
- Çocukların, denetim altında olmadan pil değiştirmelerine izin vermeyin.
- Eski ve yeni pilleri ya da farklı tipte veya üreticilere ait olan pilleri birlikte kullanmayın.
- Uzun süre kullanılmayan ürünlerdeki pilleri çıkartın.
- Pilleri kısa devre yapmayın.
- Pilleri şarj etmeyin.
- Pilleri ateşe atmayın.
- Pilleri çocukların erişemeyeceği bir yerde saklayın.
- Bitmiş pilleri derhal üründen çıkartın ve atık toplamaya verin.

4. Devreye alma

Uzaktan kumandanın işletime alınması

Pil bölmesinin kapağını açın. Bu, uzaktan kumandanın arka kısmında bulunur ve işaretli yere doğru iterek açılabilir. Teslimat kapsamına iki adet AAA pili dahildir. İşletime almak için bunları pil bölgesine yerleştirmeniz gerekir. Pilleri yerleştirirken, doğru polariteye göre yerleştirdiğinizden emin olun. Öngörülen polarite (+/-), pil bölgesinde belirtilmiştir.

Uyarı



- Ürünü sadece bu amaç için izin verilen bir prizde çalıştırınız. Priz ürüne yakın olmalı ve kolayca erişilebilmelidir.
- Bu ürünü şebekeden ayırmak için aç/kapat anahtarını kullanınız - böyle bir anahtar yoksa - şebeke kablosunu prizden çıkartınız.
- Çoklu prizlerde bağlı olan tüketicilerin izin verilebilir toplam güç sarfiyatını aşmamalarına dikkat edin.
- Ürünü uzun süre kullanmadığınızda şebekeden ayırın.

Çalıştırma

- Hoparlörün güç kablosunu, usulüne uygun olarak monte edilmiş bir elektrik prizine takın.
- Hoparlör otomatik olarak açılır.

Not – İlk kez çalıştırma



- Hoparlör ilk kez açıldığında "Cihazın ilk kurulumu" modundadır ve durum LED'leri (1-5) yanıp söner.
- Kurulum modu aktif değilse, WPS modunu etkinleştirmek (hızlı yanıp söner) için cihazın arka kısmındaki [KURULUM] tuşuna (2) kısaca basın. Alternatif olarak bir Erişim Noktasını açmak (yavaş yanıp söner) için [KURULUM] tuşunu (2) yakl. 7 saniye boyunca basılı tutun.
- Tekrar açıldığında daha önce yapılan bağlantılar tekrar kurulana kadar tüm durum LED'leri (1-5) turuncu yanıp söner. Bu, internetin mevcut sinyal seviyesine göre 20 saniyeye kadar sürebilir.

Açma/Kapama/Bekleme modu

- Hoparlörü açmak için [GÜÇ] tuşuna (1) basın. Alternatif olarak uzaktan kumandadaki [GÜÇ] (1) üzerine basın.
- Hoparlörü kapatmak için cihazın veya uzaktan kumandanın [GÜÇ] tuşuna (1) tekrar basın. (Bekleme modu)

Not



- Hoparlörü tamamen kapatmak için fişini çekin.

Ses seviyesinin uyarlanması/Sessiz mod

- Ses seviyesini düşürmek/artırmak için [SES -/+] tuşuna basın.
- Hoparlörü sessize almak için uzaktan kumandadaki [🔇] (2) tuşuna basın.
- Ses, sessize almadan önceki seviyeye getirmek için tekrar [🔇] (2) tuşuna basın.

5. Hoparlörün kurulumu

Not

- Ürünü tüm işlev kapsamıyla kullanabilmek için, ek olarak Amazon Alexa uygulaması indirilmeli ve ayrıca bir Amazon hesabı oluşturulmalıdır. Bu amaçla Amazon Alexa uygulamasındaki talimatları izleyin. Bu konuda ayrıntılı bilgileri www.amazon.com sitesinde bulabilirsiniz.

5.1 Hama Smart Audio uygulamasının indirilmesi

Not

- Aşağıdaki işletim sistemleri desteklenmektedir:
 - iOS 8 veya daha yükseği
 - Android 4.4.2 veya daha yükseği

- iTunes AppStore veya Google Play mağazasını akıllı telefonunuzda açın.
- "Hama Akıllı Ses" arama terimini kullanın.
- Uygulamayı diğer zamanlarda gibi indirin ve akıllı telefonunuza kurun. Bunun için akıllı telefonunuzun talimatlarını izleyin.

5.2 Hama Smart Audio uygulamasıyla (ALEXA işlevi) cihazın ilk kurulumu

Not WLAN (kablolu ağ)

- Yönlendiricinin açık ve internet / ağ bağlantısının kurulu olduğundan emin olun.
- Henüz etkin değilse, yönlendiricinizin WLAN bağlantısını etkinleştirin.
- Yönlendiricinin yapılandırılması ile ilgili sorunlar olursa, lütfen hata arama / sorun giderme için yönlendiricinin kılavuzundan yararlanın.

- Hoparlörün kablolu ağ eşleştirme modunda olduğundan emin olun. Durum LED'leri (1-5) yanıp söner.
- Hama Akıllı Ses uygulamasının akıllı telefonunuzda yüklü olduğundan ve tüm güncellemelerin kurulduğundan emin olun.
- Hama akıllı ses uygulamasını açın ve [YAPILANDIR] seçeneğine dokununuz.
- Ardından [Daha fazla hoparlör ekle] seçeneğine dokununuz.
- Akıllı telefonunuzun kablolu ağ ayarlarını [Ayarları Aç] seçeneğine dokunarak açın.

- Akıllı telefonunuzun kablolu ağ ayarlarında, Hama SIRIUM2000AMBT/SIRIUM2100AMBT hoparlörünü bulun.

Not

- Hoparlör, SIRIUMSetup adını ve MAC adresinin ilk 6 hanesini taşıyan kendi kablolu ağını oluşturur. (ör. SIRIUMSetup_E69EBB) Bu kablolu ağ bir şifre gerektirmez

- Akıllı telefonunuzu hoparlöre bağlayın.
- Şimdi akıllı telefonunuzda Hama Akıllı Ses uygulamasına geri dönün.
- Hoparlörü bağlamak istediğiniz istenilen kablolu ağ adını (SSID) seçin.
- Gerekirse, ağ anahtarınızı girin ve [Kaydet] ile onaylayın.
- Seçilen ayarları [ONAYLA] seçeneğine dokunarak onaylayın.
- Hoparlör şimdi ağa bağlanır. Başarılı bir bağlantıdan sonra, akıllı telefonda "Hoparlör başarıyla yapılandırıldı" görüntülenir.
- Birkaç saniye sonra LED'ler söner.

Not

- iOS işletim sisteminde, uygulamanın kapatılıp tekrar açılması gerekebilir. Ardından sonraki iki adımı izleyin.
- Kurulan ses çubuğu şimdi ana menüde gösterilmelidir. Hoparlörün ikonu üzerine tıklayın.
- Amazon hesabınıza bağlanmak için ekranın altındaki [Kaynaklar] seçeneğine dokununuz.
- Ardından [Amazon Alexa] düğmesine dokununuz.

- Erişim bilgilerinizi gireceğiniz web tarayıcısını açmak için [Amazon ile giriş yap] seçeneğine dokununuz.

Not

- Amazon Alışveriş uygulaması, akıllı telefonunuza daha önceden kurulduysa, sonraki adımlar atlanır.
- Akıllı telefonunuzun klavyesi ile Amazon hesabınızın giriş bilgilerinizi girin ve 'Oturum Aç' ile girişinizi onaylayın.
- Alternatif olarak, [Yeni Amazon Hesabı Oluştur] seçeneğine dokunarak yeni bir Amazon hesabı oluşturabilirsiniz.

- Başarılı bir girişten sonra, Hama akıllı ses uygulamasına geri döneceksiniz.
- Şimdi Alexa'nın gelecekte tepki vereceği dili seçin.
- Amazon Alexa uygulamasını açın ve gerekirse tekrar giriş bilgilerinizi girin. Ardından hoparlör aktif cihazlarınızda mevcut olmalıdır.
- Daha sonra Amazon Alexa uygulamasında kişisel ayarlarınızı (zaman dilimi, cihaz adı, vb.) gerçekleştirin. Bununla ilgili daha fazla bilgiyi www.amazon.de adresinde bulabilirsiniz -> Yardım ve Müşteri Hizmetleri.

Not



- Amazon Mağaza uygulaması daha önceden kurulduysa, bazı akıllı telefondan doğrudan uygulamadaki kullanıcı bilgilerini kabul eder.
- Yeni bir Amazon hesabı oluşturmak için, çıkış yapın ve bu bölümde açıklanan adımları tekrarlayın.

Not Alexa Push to talk/ Function Key



- Ses veya yüksek ses seviyesi sırasında Alexa'yı etkinleştirmek için hoparlördeki [Eylem] tuşuna (4) kısaca basın. Alternatif olarak uzaktan kumandadaki [Eylem] tuşuna (3) basın.
- Mikrofonları kapatmak için [Mikrofon sessiz] tuşuna (3) basın. Mikrofonlar devre dışı bırakılırsa, durum LED'leri (1-5) sürekli kırmızı yanar. Alternatif olarak uzaktan kumandadaki [Mikrofon sessiz] tuşuna (4) basın.
- Hoparlör, mikrofonlar yeniden etkinleştirilene kadar aktivasyon kelimesine artık cevap vermez.
- Mikrofonları tekrar etkinleştirmek için yine [Mikrofon sessiz] tuşuna (3) basın. Alternatif olarak uzaktan kumandadaki [Mikrofon sessiz] tuşuna (4) basın. Durum LED'leri (1-5) söner.

6. Bluetooth ile ilk kez bağlantı (eşleştirme)

Bluetooth yoluyla cihazlarınızı hoparlöre bağlayabilir ve ses sinyalleri için oynatma aygıtı olarak kullanabilirsiniz. Oynatma kumandası doğrudan nihai cihaz veya uzaktan kumanda üzerinden gerçekleşir. Ses seviyesi de doğrudan hoparlörde ayarlanabilir.

Not – Bluetooth®



- Mobil uç cihazınızın (akıllı telefon, tablet bilgisayar, vs.) Bluetooth uyumlu olup olmadığını kontrol edin.
- *Bluetooth®* menzilinın maks. 10 metre olduğunu, duvarlar, insanlar vs. gibi engellerin buna dahil olmadığını dikkate alın.
- Bağlantının çevredeki başka *Bluetooth®* cihazları/bağlantıları tarafından engellenmesi mümkün olabilir.
- Hoparlör her zaman sadece bir uç cihaza bağlanabilir.
- Uyumluluğun, desteklenen *Bluetooth®* profillerine ve kullanılan *Bluetooth®* versiyonlarına bağlı olduğunu dikkate alın. (bkz.: Teknik Özellikler, kullanılan uç cihazın kullanım kılavuzu)

- Bluetooth özellikli cihazın mobil terminal cihazınızın ve Bluetooth'un açık olduğundan emin olun.
- Hoparlör üzerindeki [KAYNAK] tuşuna (2) art arda basarak Bluetooth modunu etkinleştirin.
- Alternatif olarak uzaktan kumandadaki [Bluetooth] (13) üzerine basın.
- Bluetooth durum LED'i (4) hızlı bir şekilde yanıp sönmeye başlar.
- Eşleştirme modunu etkinleştirmek için yaklaşık 2 saniye boyunca [KAYNAK] tuşunu (2) basılı tutun. Bluetooth durum LED'i (4) mavi renkte yanıp sönmeye başlar ve sinyal sesi duyulur.
- Cihazınızda Bluetooth ayarlarını açın ve algılanan Bluetooth cihazları listesinde Hama SIRIUM2000AMBT/SIRIUM2100AMBT görüntülenene kadar bekleyin.
- Gerekirse uç cihazınızda Bluetooth cihazı aramasını başlatın.
- Kullanılabilen cihazlar listesinde Hama SIRIUM2000AMBT/SIRIUM2100AMBT hoparlörünü seçin ve cihazınızın Bluetooth ayarlarında hoparlör bağlı olarak görüntülenene kadar bekleyin.
- Bluetooth (4) durum LED'i şimdiki sürekli mavi renkte yanar.
- Nihai cihaz veya uzaktan kumanda üzerinden sesi oynatma işlemini başlatın ve kumanda edin.

Not – Bluetooth® parolası



Bazı uç cihazlar, başka bir *Bluetooth®* cihazıyla bağlantı kurmak için bir parolaya gerek duyar.

- Uç cihazınız talep ettiğinde hoparlörle bağlantı için parola olarak **0000** girin.

7. Optical IN üzerinden bağlantı

Hoparlörün dijital ses girişi üzerinden terminal cihazınızı (örneğin televizyon) bağlayabilir ve ses sinyalini hoparlörden çalabilirsiniz.

Not



- Bir terminal cihazı bağlamadan önce hoparlörü kapatın.
- Bağlamadan önce optik sinyal kablosunun her iki ucundan koruyucu kapakları çıkarın.
- Kabloyu bükmeyin ve sıkıştırmayın.

- Optik ses bağlantısı üzerinden oynatmak için hoparlörün optik ses girişine ve nihai cihazınızın optik ses çıkışına bir optik ses kablosu takın ve Optical modu seçin.
- Hoparlörü açmak için [GÜÇ] (1) tuşunu yaklaşık 3 saniye basılı tutun.
- Hoparlör üzerindeki [KAYNAK] tuşuna (2) art arda basarak Optical modunu etkinleştirin.
- Optical mod seçildiğinde Optical durum LED'i (4) mor renkte yanar.
- Alternatif olarak uzaktan kumandadaki [Optical AÇIK] (12) üzerine basın.

8. Auxiliary In/Auxiliary Out üzerinden bağlantı

Analog ses girişi üzerinden, mobil terminal cihazları (örneğin akıllı telefon, tablet PC, MP3 çalar) ve eski analog kaynakları (CD/DVD çalar, vb.) hoparlöre bağlayabilirsiniz ve bunların ses sinyallerini hoparlörden çalabilirsiniz. Burada 3,5 mm'lik bir ses kablosuyla (jak kablosu) bağlanma imkanına sahipsiniz. Analog ses çıkışı (5) üzerinden ses sinyalinin oynatıldığı başka hoparlörler de bağlanabilir.

Not



- Bir terminal cihazı bağlamadan önce hoparlörü kapatın.
- Kabloyu bükmeyin ve sıkıştırmayın.

- AUX-In bağlantısı ile oynatmak için nihai cihazınızı AUX-In yuvası (4) üzerinden 3,5 mm'lik bir ses kablosu (jak kablosu) ile hoparlöre bağlayın ve AUX modunu seçin.
- AUX-Out bağlantısı ile oynatmak için örn. başka hoparlörleri/bir güçlendiriciyi AUX-Out yuvası (5) üzerinden 3,5 mm'lik bir ses kablosu (jak kablosu) ile hoparlöre bağlayın ve AUX modunu seçin.
- Hoparlörü açmak için [GÜÇ] tuşuna (1) basın.
- Hoparlör üzerindeki [KAYNAK] tuşuna (2) art arda basarak AUX modunu etkinleştirin.
- AUX modu seçildiğinde durum LED'i (4) açık mavi renkte yanar.
- Bağlı olan nihai cihaz üzerinden ses oynatma işlemini başlatın ve kumanda edin.
- Alternatif olarak uzaktan kumandadaki [LINE AÇIK] (14) üzerine basın.

9. Fabrika ayarlarına

Hoparlörü fabrika ayarlarına (teslimat durumu) sıfırlamak için, lütfen aşağıdaki yolu izleyin.

- Hoparlörü fabrika ayarlarına sıfırlamak için yaklaşık 6 saniye boyunca [KURULUM] (2) ve [Eylem] (4) tuşlarını basılı tutun.
- Başarı bir sıfırlama sonrasında hoparlör yeniden başlatılır.

Not



- Sorunlar ve hatalı işlevler, fabrika ayarlarına sıfırlayarak giderilebilir.
- Ancak düzenleyici, favoriler ve ağ profilleri gibi ön ayarlar, kalıcı olarak silinir.

10. Bakım ve temizlik

Bu ürünü sadece lif bırakmayan, hafif nemli bir bezle silin ve agresif temizleyiciler kullanmayın. Ürünü uzunca bir süre kullanmayacaksanız cihazı kapatıp elektrik fişini çekin. Ürünü, doğrudan güneş almayan temiz, kuru bir yerde saklayın.

11. Sorumsuzluk beyanı

Hama GmbH & Co. KG şirketi yanlış kurulum, montaj ve ürünün amacına uygun olarak kullanılmaması durumunda veya kullanım kılavuzu ve/veya güvenlik uyarılarına uyulmaması sonucu oluşan hasarlar için sorumluluk kabul etmez ve bu durumda garanti hakkı kaybolur.

12. Uygunluk beyanı

CE İş bu belge ile Hama GmbH & Co KG kablosuz sistem tipin [00054881, 00054882, 00054886, 00054887] 2014/53/AB sayılı direktife uygun olduğunu beyan eder. AB Uygunluk Beyanının tam metni aşağıdaki internet adresinde incelenebilir: www.hama.com -> 00054881, 00054882, 00054886, 00054887 -> Downloads.

Frekans bandı/frekans bantları	Bluetooth: 2.402 GHz - 2.480 GHz WiFi: 2.402 GHz – 2.480 GHz WiFi: 2.412 GHz – 2.483 GHz WiFi: 5.150 GHz – 5.350 GHz WiFi: 5.470 GHz – 5.725 GHz
İletilen maksimum radyo frekans gücü	Bluetooth: 4 dBm (EIRP) WiFi: 2.4 GHz / 19.5 dBm (EIRP) WiFi: 5 GHz / 16.5 dBm (EIRP)

Kısıtlama veya gerekliliklerin olduğu ülkeler

Belçika, Bulgaristan, Çek Cumhuriyeti, Danimarka, Almanya, Estonya, İrlanda, Yunanistan, İspanya, Fransa, Hırvatistan, İtalya, Kıbrıs, Letonya, Litvanya, Lüksemburg, Macaristan, Malta, Hollanda, Avusturya, Polonya, Portekiz, Romanya, Slovenya, Slovakya, Finlandiya, İsveç, Birleşik Krallık

Not



5GHz WLAN ağında 36-64 (frekans 5,150GHz – 5,350GHz) kanalları kullanıldığında, ürün yalnızca kapalı mekanlar içerisinde kullanılmalıdır.

Elemente de comandă și afișaje**A. Interfața de operare a difuzorului**

1. TASTA [POWER]
2. TASTA [SOURCE]
3. TASTA [MICROFON MUT]
4. TASTA [ACȚIUNE]
5. TASTA [VOLUME] –
6. TASTA [VOLUME] +

B. Partea frontală

1. LED Stare 1–5
2. LED stare actualizare

C. Partea posterioară

1. Filet pentru suportul de perete
2. Tasta [SETUP]
3. Mufa de intrare optică
4. Mufa de intrare AUX
5. Mufa de ieșire AUX
6. USB (redare & actualizare)
7. Alimentare la rețea

D. Telecomandă

1. Putere
2. Difuzor mut
3. Acțiune
4. Microfon mut
5. Bas +
6. Bas –
7. Vol +
8. Vol –
9. EQ1 (Standard)
10. fără funcție
11. EQ2 (MyEQ)
12. Intrare optică
13. Bluetooth
14. Intrare linie
15. Anterior
16. Redare/Pauză
17. Următorul
18. Conectare

Indicație importantă - Instrucțiuni de folosire:

- Acestea sunt instrucțiuni scurte care vă asigură informații de bază importante legate de siguranța și punerea în funcțiune a produsului.
- Din motive de protecție a mediului și de economisire de materii prime de valoare firma Hama renunță la tipărirea acestor instrucțiuni și le oferă numai ca document PDF pentru descărcare / manual electronic la adresa www.hama.com.
- Pentru găsirea mai ușoară a documentației folosiți funcția de căutare și ca termen de căutare numărul de articol.
- Pentru o consultare ulterioară memorați instrucțiunile pe calculator sau tipăriți-le dacă aveți posibilități.

1. Explicarea simbolurilor de avertizare și indicații**Pericol de electrocutare**

Acest simbol semnălizază pericol la atingerea cu componentele neizolate ale produsului, care datorită tensiunii înalte indicate, poate duce la electrocutare.

Avertizare

Se folosește la marcarea instrucțiunilor de siguranță sau la concentrarea atenției în caz de pericol și riscuri mari.

Indicație

Se folosește pentru marcarea informațiilor și instrucțiunilor importante.

2. Conținutul pachetului

- Hama Smart Speaker „SIRIUM2000AMBT/SIRIUM2100AMBT”
- Alimentator
- Telecomanda SRC-1805-Layout B
- 2 x baterii AAA
- Instrucțiuni rezumate

3. Instrucțiuni de siguranță

- Produsul este conceput numai pentru utilizarea în interiorul clădirilor.
- Produsul este conceput numai pentru utilizare privată și nu profesională.
- Protejați aparatul de impurități, umiditate și supraîncălzire și utilizați-l numai în încăperi uscate.
- Acest produs, ca de altfel toate produsele electrice, nu are ce căuta în mâinile copiilor!
- Nu lăsați produsul să cadă și nu îl supuneți trepidațiilor puternice.
- Nu exploatați produsul în afara limitelor de putere indicate în datele tehnice.
- Nu lăsați copiii să se joace cu materialul pachetului, prezintă pericol de sufocare.
- Reciclarea materialului pachetului se execută conform normelor locale de salubritate în vigoare.
- Nu executați modificări la aparat. În acest fel pierdeți orice drept la garanție.

Pericol de electrocutare



- Nu deschideți aparatul și nu-l utilizați în continuare în caz de deteriorare.
- Nu utilizați produsul dacă adaptorul AC, cablul adaptor sau conductorul rețelei sunt deteriorate.
- Nu încercați să reparați sau să depanați aparatul. Operațiile de reparații se execută numai de personal de specialitate.

Avertizare - baterii



- Atenție în mod deosebit la polaritatea corectă a bateriilor (marcajele + și -) și introduceți-le conform cu acestea. În cazul nerespectării vă expuneți pericolului scurgerilor sau exploziei bateriilor.
- Nu permiteți copiilor nesupravegheați să schimbe bateriile.
- Nu amestecați baterii vechi cu noi precum și baterii de diferite tipuri sau producători diferiți.
- Îndepărtați bateriile din produsele care nu sunt întrebuințate o perioadă mai îndelungată.
- Nu scurtcircuitați bateriile.
- Bateriile nu se încarcă.
- Nu aruncați bateriile în foc.
- Păstrați bateriile astfel încât să nu fie la îndemâna copiilor.
- Îndepărtați și salubrizați imediat bateriile folosite din produs.

4. Punere în funcțiune

Punerea în funcțiune a telecomenzii

Deschideți capacul compartimentului bateriilor. Acesta se află pe partea posterioară a telecomenzii și poate să fie deschis prin împingerea în direcția marcată. Pachetul de livrare include două baterii AAA, care trebuie incluse în compartimentul bateriilor pentru punerea în funcțiune. La introducerea, aveți în vedere ca bateriile să fie introduse cu polaritatea corectă conform indicațiilor. Polaritatea prescrisă (+/-) este marcată în compartimentul bateriilor.

Avertizare



- Exploatați aparatul numai la o priză de rețea aprobată în acest sens. Priza trebuie plasată în apropierea produsului și să fie ușor accesibilă.
- Cu ajutorul comutatorului pornit/oprit se întrerupe produsul de la rețea - dacă acesta nu există scoateți cablul de racordare din priză.
- Consumatorii conectați la prize multiple nu trebuie să depășească consumul puterii totale admisibile.
- Deconectați produsul de la rețea dacă nu este folosit timp mai îndelungat.

Pornire

- Conectați cablul de alimentare al difuzorului la o priză instalată în mod adecvat.
- Difuzorul pornește automat.

Indicație - Prima pornire



- La prima conectare difuzorul se găsește în modul „Prima setare a aparatului” și LED-urile de stare (1–5) pulsează.
- În cazul în care modul de reglare nu este activ, apăsați scurt pe butonul [SETUP] (2) de pe partea posterioară a aparatului, pentru a activa modul WPS (se aprinde intermitent rapid). În mod alternativ apăsați și țineți tasta [SETUP] (2) apăsată timp de cca. 7 secunde, pentru a deschide un AccessPoint (se aprinde intermitent lent).
- La repornire, toate LED-urile de stare (1–5) se aprind intermitent portocaliu, până ce legăturile realizate sunt refăcute. Aceasta poate dura până la 20 de secunde, în funcție de intensitatea semnalului existent.

Conectarea/deconectarea/standby-ul

- Apăsați [POWER] (1) pentru a porni difuzorul. În mod alternativ apăsați [POWER] (1) pe telecomandă.
- Apăsați din nou [POWER] (1) pe aparat sau pe telecomandă, pentru a opri difuzorul. (Standby)

Indicație



- Pentru a opri difuzorul în totalitate, deconectați-l de la alimentarea electrică.

Adaptarea volumului/Mut

- Apăsăți [VOLUME -/+], pentru a reduce/crește volumul.
- Apăsăți (2) pe telecomandă, pentru a trece difuzorul pe mut.
- Apăsăți din nou (2), pentru a readuce volumul la valoarea de dinainte de trecerea pe mut.

5. Setarea inițială a difuzorului

Indicație



- Pentru a putea utiliza întreaga paletă de funcțiuni a produsului trebuie descărcată suplimentar aplicația Amazon Alexa și creat un cont Amazon. Pentru aceasta urmați instrucțiunile aplicației Amazon Alexa. Informații suplimentare găsiți la www.amazon.com.

5.1 Descărcarea aplicației Hama Smart Audio

Indicație



Sunt susținute următoarele sisteme de operare:

- iOS 8 sau superior
- Android 4.4.2 sau superior
- Deschideți iTunes AppStore sau Google Play Store la Smartphone.
- Utilizați concept de căutare „Hama Smart Audio”.
- Descărcați aplicația și instalați-o pe Smartphone. Urmăți instrucțiunile Smartphone.

5.2 Configurare inițială a aparatului cu aplicația Hama Smart Audio (funcție ALEXA)

Indicație - WLAN (rețea fără cablu)



- Asigurați-vă că routerul este pornit și este conectat la internet / rețea.
- Activați conexiunea WLAN a routerului.
- Dacă aveți întrebări cu privire la configurația routerului căutați în manualul de utilizare la căutare erori / soluții probleme.
- Asigurați-vă că difuzorul se află în modul WLANPairing. LED-urile de stare (1–5) se aprind intermitent.
- Asigurați-vă că ați instalat aplicația Hama Smart Audio pe smartphone-ul dvs. și toate actualizările au fost instalate.
- Deschideți aplicația Hama Smart Audio și atingeți [CONFIGURE].
- Atingeți în încheiere [Add More Speakers].
- Deschideți setările WLAN ale smartphone-ului dvs. prin atingerea [OPEN Settings].
- Căutați în setările WLAN ale smartphone-ului dvs. difuzorul Hama SIRIUM2000AMBT/SIRIUM2100AMBT.

Indicație



- Difuzorul generează o rețea WLAN proprie, care are denumirea SIRIUMSetup și care poartă primele șase poziții ale adresei MAC. (de ex. SIRIUMSetup_E69EBB) Acest WLAN nu necesită o parolă.

- Conectați-vă smartphone-ul la difuzor.
- Reveniți acum la aplicația Hama Smart Audio pe smartphone-ul dvs.
- Selectați denumirea WLAN (SSID) dorită, cu care doriți să conectați difuzorul.
- Introduceți acum, dacă este cazul, parola dvs. de rețea și confirmați-o cu [Save].
- Confirmați setările selectate prin atingerea [CONFIRM].
- Difuzorul se conectează acum la rețea. După conectarea cu succes, pe smartphone va apărea „Difuzor configurat cu succes”.
- LED-urile se sting după câteva secunde.

Indicație



- În cazul iOS poate să intervină situația în care aplicația este acum închisă și să trebuiască să fie repornită. Respectați în continuare următorii doi pași.
- Soundbar-ul setat trebuie să fie afișat acum în meniul principal. Apăsăți pe pictograma difuzorului.
- Atingeți [Sursele] pe marginea inferioară a ecranului, pentru a realiza conexiunea la contul dvs. Amazon.
- Atingeți în încheiere butonul soft [Amazon Alexa].
- Atingeți [Sign in with Amazon], pentru a deschide browser-ul web, pentru introducerea datelor dvs. de accesare.

Indicație



- În cazul în care ați instalat aplicația Amazon Shopping pe smartphone-ul dvs. și este setat, următorii pași sunt săriți.
- Introduceți cu ajutorul tastaturii smartphone-ului dvs. datele de accesare ale contului dvs. Amazon și confirmați introducerea cu Autentificare.
- Alternativ, aveți posibilitatea ca prin atingerea [Creare cont Amazon nou] să creați un nou cont Amazon.
- După autentificarea cu succes, ajungeți înapoi în aplicația Hama Smart Audio.
- Selectați acum limba în care va reacționa Alexa în viitor.
- Deschideți aplicația Amazon Alexa și introduceți din nou datele de accesare, dacă este cazul. În încheiere ar trebui să găsiți difuzorul în lista aparatelor dvs. active.
- În încheiere, realizați setările dvs. personale (fus orar, denumirea aparatului etc.) în aplicația Amazon Alexa. Informații suplimentare în acest sens puteți să găsiți la www.amazon.de -> Asistență și serviciul pentru clienți.

Indicație



- În cazul în care aplicația Amazon Market este deja instalată și setată pe smartphone-ul dvs., unele smartphone-uri preiau datele de utilizare direct din aplicație.
- Pentru a seta un nou cont Amazon, deconectați-vă și repetați pașii descriși în cadrul acestui capitol.

Indicație Alexa Push to talk/ Function Key



- Apăsăți scurt pe tasta [Acțiune] (4) de pe difuzor, pentru a activa Alexa în timpul operării, respectiv un volum înalt. În mod alternativ apăsați [Acțiune] (3) pe telecomandă.
- Apăsăți tasta [Microfon Mut] (3), pentru a opri microfoanele. În cazul în care microfoanele sunt dezactivate, LED-urile de stare (1–5) luminează permanent roșu. În mod alternativ apăsați tasta [Microfon Mut] (4) pe telecomandă.
- Difuzorul nu mai reacționează acum la cuvântul de activare, până ce microfoanele nu sunt activate din nou.
- Apăsăți din nou tasta [Microfon Mut] (3), pentru a activa din nou microfonul. În mod alternativ apăsați tasta [Microfon Mut] (4) pe telecomandă. LED-urile de stare (1–5) se sting.

6. Prima conectare Bluetooth (Pairing)

Via Bluetooth puteți conecta aparate finale cu difuzorul și acesta folosit ca aparat de redare pentru semnale audio. Comanda redării se realizează în acest context direct prin intermediul terminalului sau a telecomenzii. Volumul sonor poate fi reglat direct la difuzor.

Indicație – Bluetooth®



- Verificați dacă aparatul final mobil (Smartphone, tabletă PC, etc.) este compatibil Bluetooth.
- Aveți în vedere faptul că raza de acțiune *Bluetooth*® este de max. 10 m, fără obstacole precum pereți, persoane etc.
- Se poate întâmpla ca conexiunea să fie deranjată prin alte conexiuni *Bluetooth*® de la alte aparate.
- Difuzorul poate fi cuplat întotdeauna numai cu un aparat final.
- Compatibilitatea este dependentă de profilele *Bluetooth*® susținute precum și de versiunile *Bluetooth*® folosite. (vezi: Date tehnice, Instrucțiuni de folosire ale aparatului utilizat).

- Asigurați-vă că terminalul dvs. Bluetooth este conectat și funcția Bluetooth este activată.
- Activați prin apăsarea repetată a tastei [SOURCE] (2) de pe difuzor, pentru a activa difuzorul în modul Bluetooth.
- În mod alternativ apăsați [Bluetooth] (13) pe telecomandă.
- LED-ul de stare Bluetooth (4) începe să pulseze albastru.
- Apăsăți și mențineți tasta [SOURCE] (2) timp de cca. 2 secunde, pentru a activa modul de conectare. LED-ul de stare Bluetooth (4) începe să se aprindă intermitent albastru și se aude un semnal sonor.
- Deschideți setările Bluetooth din aparatul final și așteptați până când în lista aparatelor Bluetooth se afișează Hama SIRIUM2000AMBT/SIRIUM2100AMBT.
- Dacă este cazul porniți căutarea de aparate Bluetooth la aparatul final.
- Selectați din listă aparatele disponibile difuzorul Hama SIRIUM2000AMBT/SIRIUM2100AMBT și așteptați până când difuzorul este afișat în setările Bluetooth ale aparatului final ca fiind conectat.
- LED-ul de statut Bluetooth (4) luminează continuu albastru.
- Porniți și comandați redarea audio în mod conform prin intermediul terminalului conectat, respectiv a telecomenzii.

Indicație – Parolă Bluetooth®



Pentru configurarea conexiunii cu un alt aparat *Bluetooth*®, unele aparate terminale au nevoie de o parolă.

- Dacă pentru conexiunea cu difuzorul aparatul final vă solicită o parolă, introduceți **0000**.

7. Conexiune prin intermediul intrării optice

Puteți conecta terminalul dvs. (de ex. televizorul) prin intermediul intrării digitale audio a difuzorului și puteți să redați semnalul audio al acestuia prin intermediul difuzorului.

Indicație



- Opriti difuzorul înainte de a conecta terminalul la acesta.
- Îndepărtați capacele de protecție de pe cele două capete ale cablului de semnal optic, înainte de a efectua conexiunea.
- Nu îndoiți și nu striviți cablul.

- Pentru redarea prin intermediul conexiunii audio optice, conectați un cablu de semnal optic la intrarea audio a difuzorului și la ieșirea optică audio a terminalului dvs. și selectați Modul optic.
- Apăsați și mențineți [POWER] (1) timp de cca. 3 secunde, pentru a activa difuzorul.
- Activați prin apăsarea repetată a tastei [SOURCE] (2) de pe difuzor, pentru a activa modul optic pe difuzor.
- LED-ul de stare optică (4) luminează mov, când modul optic a fost activat.
- În mod alternativ apăsați [Intrare optică] (12) pe telecomandă.

8. Conexiunea prin intermediul intrării auxiliare/ieșirii auxiliare

Prin intermediul intrării analogice audio puteți să conectați terminalele mobile (de ex. smartphone, tablete, playere MP3 etc.) și surse analogice mai vechi (CD/DVD player etc.) la difuzor și redarea semnalului lor audio prin intermediul difuzorului. Aici aveți posibilitatea de a conecta un cablu audio de 3,5 mm (cablu cu mufă jack). Prin intermediul ieșirii audio analogice (5) este posibilă conectarea unor difuzoare suplimentare prin intermediul cărora semnalul audio este de asemenea redat.

Indicație



- Opriti difuzorul înainte de a conecta terminalul la acesta.
- Nu îndoiți și nu striviți cablul.
- Pentru redarea prin intermediul conexiunii AUX-In, conectați terminalul dvs. prin intermediul mufei AUX-In (4) cu ajutorul unui cablu audio de 3,5 mm (cablu cu jack) la difuzor și selectați modul AUX.
- Pentru redarea prin intermediul conexiunii AUX-Out, conectați de ex. difuzoare suplimentare/un amplificator prin intermediul mufei AUX-Out (5) cu ajutorul unui cablu audio de 3,5 mm (cablu cu jack) la difuzor și selectați modul AUX.

- Apăsați [POWER] (1) pentru a porni difuzorul.
- Activați prin apăsarea repetată a tastei [SOURCE] (2) de pe difuzor modul AUX.
- LED-ul de stare (4) luminează turcoaz, când modul AUX a fost selectat.
- Porniți și comandați redarea audio în mod conform prin intermediul terminalului conectat.
- În mod alternativ apăsați [INTRARE LINIE] (14) pe telecomandă.

9. Setările din fabrică

Pentru a reseta difuzorul la setările din fabrică (starea la livrare), vă rugăm să procedați după cum urmează:

- Apăsați și mențineți tastele [SETUP] (2) și [Acțiuni] (4) timp de cca. 6 secunde, pentru a reseta difuzorul la setările din fabrică.
- După resetarea cu succes, difuzorul este repornit.

Indicație



- Problemele și disfuncționalitățile pot să fie remediate prin resetarea la setările din fabrică.
- În schimb, toate presetările, precum egalizatorul, favoritele și profilele de rețea sunt șterse fără posibilitatea de recuperare.

10. Revizie și întreținere

Limpe o produto apenas com um pano sem pelos ligeiramente humedecido e não utilize produtos de limpeza agressivos.

Caso não pretenda utilizar o produto durante um período prolongado, desligue-o e retire a ficha da tomada elétrica. Armazene-o num local limpo e seco, sem exposição solar direta.

11. Excluderea responsabilității

Hama GmbH & Co. KG nu își asumă nici o răspundere sau garanție pentru pagube cauzate de montarea, instalarea sau folosirea necorespunzătoare a produsului sau nerespectarea instrucțiunilor de folosire și/sau a instrucțiunilor de siguranță.

12. Declarație de conformitate

CE Prin prezenta, Hama GmbH & Co KG, declară că tipul de echipamente radio [00054881, 00054882, 00054886, 00054887] este în conformitate cu Directiva 2014/53/UE. Textul integral al declarației UE de conformitate este disponibil la următoarea adresă internet:
www.hama.com -> 00054881, 00054882, 00054886, 00054887 -> Downloads.

Banda (benzile) de frecvențe	Bluetooth: 2.402 GHz - 2.480 GHz WiFi: 2.402 GHz – 2.480 GHz WiFi: 2.412 GHz – 2.483 GHz WiFi: 5.150 GHz – 5.350 GHz WiFi: 5.470 GHz – 5.725 GHz
Puterea maximă	Bluetooth: 4 dBm (EIRP) WiFi: 2.4 GHz / 19.5 dBm (EIRP) WiFi: 5 GHz / 16.5 dBm (EIRP)

Restricții sau Cerințe în

Belgia, Bulgaria, Republica Cehă, Danemarca, Germania, Estonia, Irlanda, Grecia, Spania, Franța, Croația, Italia, Cipru, Letonia, Lituania, Luxemburg, Ungaria, Malta, Olanda, Austria, Polonia, Portugalia, România, Slovenia, Slovacia, Finlanda, Suedia, Marea Britanie

Indicație



При использовании каналов 36—64 (частота 5,150—5,350 ГГц) в беспроводной сети (WLAN) с частотой 5 ГГц изделие разрешено применять только в закрытых помещениях.

Manöverelement och indikeringar

A. Knappsats på högtalaren

1. [TILL/FRÅN]
2. [KÄLLA]
3. [MIKROFON TYST]
4. [ÅTGÄRD]
5. [VOLYM] -
6. [VOLYM] +

B. Framsida

1. Statuslysdiod 1–5
2. Statuslysdiod uppdatering

C. Baksida

1. Gänga för vägghållare
2. [INSTÄLLNING]
3. Optisk ingång
4. AUX-ingång
5. AUX-utgång
6. USB (playback och uppdatering)
7. Nätkabel

D. Fjärrkontroll

1. Till/från
2. Högtalare tyst
3. Åtgärd
4. Mikrofon tyst
5. Bas +
6. Bas -
7. Volym +
8. Volym -
9. EQ1 (standard)
10. Ingen funktion
11. EQ2 (MyEQ)
12. Optisk ingång
13. Bluetooth
14. Linjeingång
15. Föregående
16. Spela/paus
17. Nästa
18. Pairing

Viktig information - bruksanvisning:



- Detta är en snabbguide som innehåller viktig grundläggande information, såsom säkerhetsanvisningar och idrifttagning av produkten.
- Av miljöhänsyn och för att spara på värdefullt råmaterial har Hama valt att inte publicera bruksanvisningen i tryckt form, utan erbjuder den enbart i form av en pdf-fil/eManual som finns att ladda ner på www.hama.com.
- Använd sökfunktionen och ange artikelnumret som sökbegrepp för att enkelt komma till rätt produktokumentation.
- Förvara denna bruksanvisning för framtida bruk och skriv vid behov ut den.

1. Förklaring av varningssymboler och anvisningar

Fara för elektrisk stöt



Denna symbol hänvisar till fara vid beröring av oisolerade produkt delar som kan ha en så pass hög spänning att det finns risk för elektrisk stöt.

Varning



Används för att markera säkerhetsanvisningar eller för att rikta uppmärksamheten mot speciella faror och risker.

Information



Används för att markera ytterligare information eller viktiga hänvisningar.

2. Förpackningens innehåll

- Hama Smart Speaker SIRIUM2000AMBT/SIRIUM2100AMBT
- Nätdel
- Fjärrkontroll SRC-1805-Layout B
- 2 AAA-batterier
- Snabbstartsinstruktion

3. Säkerhetsanvisningar

- Produkten är bara avsedd för inomhusanvändning.
- Produkten är avsedd för privat hemanvändning, inte yrkesmässig.
- Skydda produkten mot smuts, fukt och överhettning och använd den bara inomhus.
- Denna produkt ska, som alla elektriska produkter, förvaras utom räckhåll för barn!
- Tappa inte produkten och utsätt den inte för kraftiga vibrationer.
- Använd inte produkten utanför de kapacitetsgränser som är angivna för den i tekniska data.
- Det är viktigt att barn hålls borta från förpackningsmaterialet. Det finns risk för kvävning.
- Kassera förpackningsmaterialet direkt enligt de lokalt gällande reglerna för kassering.
- Förändra ingenting på produkten. Då förlorar du alla garantianspråk.

Fara för elektrisk stöt



- Öppna inte produkten och använd den inte mer om den är skadad.
- Använd inte produkten om AC-adaptorn, adapterkabeln eller elsladden är skadade.
- Försök inte utföra service på produkten själv eller reparera den. Överlåt allt servicearbete till kompetent fackpersonal.

Varning - batterier



- Var mycket noga med batteripolerna (+ och - märkning) och lägg in batterierna enligt dessa. Beaktas inte detta finns det risk att batterierna läcker eller exploderar.
- Låt inte barn byta batterier utan uppsikt.
- Blanda inte gamla och nya batterier, inte heller olika sorters batterier eller batterier från olika tillverkare.
- Ta ut batterier ur produkter som inte ska användas under längre tid.
- Kortslut inte batterierna.
- Ladda inte batterier.
- Kasta inte batterier i öppen eld.
- Förvara batterier utom räckhåll för barn.
- Förbrukade batterier ska tas ut ur produkten direkt och kasseras.

4. Idrifttagning

Använda fjärrkontrollen

Öppna batterifacket lock. Det sitter på fjärrkontrollens baksida och går att öppna om du skjuter det i pilens riktning. I leveransen ingår två AAA-batterier som du ska sätta i innan du kan använda fjärrkontrollen. Se till att du vänder batterierna rätt så att inte polariteten blir fel. Polariteten är märkt med (+/-) i batterifacket.

Varning



- Anslut bara apparaten till ett godkänt uttag. Eluttaget måste sitta i närheten av produkten och vara lätt att nå.
- Koppla bort produkten från elnätet med hjälp av strömbrytaren – om den saknas drar du ut nätkabeln ur uttaget.
- Om grenuttag används, var noga med att de anslutna förbrukarna inte överskrider tillåten total effektförbrukning.
- Koppla bort produkten från elnätet om den inte ska användas under en längre tid.

Påslagning

- Sätt i högtalarens nätkabel i ett korrekt installerat eluttag.
- Högtalaren kopplas in automatiskt.

Information - vid första påslagning



- Vid den första inställningen är högtalaren i läget "Första inställning av enheten" och statuslysdioderna (1–5) pulserar.
- Om inställningsläget inte är aktivt trycker du en gång på knappen [INSTÄLLNING] (2) på enhetens baksida för att aktivera WPS-läget (blinker snabbt). Du kan också hålla knappen [INSTÄLLNING] (2) intryckt i ca sju sekunder för att öppna en AccessPoint (blinker långsamt).
- När du slår på igen blinkar alla statuslysdioder (1–5) orange tills hittills aktiva anslutningar är upprättade igen. Det kan ta upp till 20 sekunder beroende på internets signalstyrka.

Till/Från/Viloläge

- Tryck på [TILL/FRÅN] (1) för att koppla in högtalaren. Tryck alternativt på [Till/från] (1) på fjärrkontrollen.
- Tryck en gång till på [TILL/FRÅN] (1) på enheten eller på fjärrkontrollen för att stänga av högtalaren. (Viloläge)

Information



- Koppla bort högtalaren från strömförsörjningen om du vill stänga av den helt och hållet.

Justera volymen/ljudlös

- Tryck på [VOLYM +/-] för att minska eller öka volymen.
- Tryck på [M] (2) på fjärrkontrollen för att stänga av ljudet till högtalaren.
- Tryck en gång till på [M] (2) för att återställa volymen till det värde som var inställt innan ljudet stängdes av.

5. Inställning av högtalaren

Information



- För att kunna utnyttja alla produktfunktioner måste man även hämta Amazon Alexa-appen samt skapa ett Amazon-konto. Följ anvisningarna i Amazon Alexa-appen. Mer information finns på www.amazon.com.

5.1 Hämta Hama Smart Audio-appen

Information



Följande operativsystem stöds:

- iOS 8 eller högre
 - Android 4.4.2 eller högre
- Öppna iTunes AppStore eller Google Play Store på din smartphone.
 - Använd sökordet Hama Smart Audio.
 - Hämta appen som vanligt och installera den på din smartphone. Följ smartphone-anvisningarna.

5.2 Förstagångsinstallationen med Hama Smart Audio-appen (ALEXA-funktion)

Information WLAN (trådlöst nätverk)



- Kontrollera att routern är på och är ansluten till internet/nätverket.
 - Aktivera i förekommande fall routerns WLAN-anslutning.
 - Vid frågor om konfigurationen av routern, se routerns bruksanvisning för felsökning/problemlösning.
- Kontrollera att högtalaren är i WLANPairing-läget. Statuslysdioderna (1–5) blinkar.
 - Kontrollera att Hama Smart Audio App är installerad i din telefon och att alla uppdateringar har installerats.
 - Öppna Hama Smart Audio App och klicka på [Konfigurera].
 - Klicka sedan på [Lägg till flera högtalare].
 - Öppna WLAN-inställningarna i din smartphone genom att klicka på [Öppna inställningar].
 - Sök efter högtalaren Hama SIRIUM2000AMBT/SIRIUM2100AMBT i telefonens WLAN-inställningar.

Information



- Högtalaren skapar ett eget WLAN-nät som har beteckningen SIRIUMSetup och de första sex positionerna i MAC-adressen, t.ex. SIRIUMSetup_E69EBB. Detta WLAN behöver inget lösenord.
- Anslut din smartphone till högtalaren.
 - Gå sedan tillbaka till Hama Smart Audio App i din telefon.
 - Välj namnet på det WLAN (SSID) som du vill ansluta till din högtalare.
 - Ange om så behövs din nätverksnyckel och bekräfta med [Spara].
 - Bekräfta de valda inställningarna genom att klicka på [Bekräfta].
 - Högtalaren ansluts nu till nätverket. Efter en lyckad uppkoppling visas "Högtalaren konfigurerad" i telefonen.
 - Lysdioderna slocknar efter några sekunder.

Information



- Med operativsystemet iOS kan det förekomma att appen avslutas och måste startas om. Utför sedan följande två steg.
- Den inställda soundbaren ska nu synas i huvudmenyn. Tryck på högtalarsymbolen.
- Klicka på [Källor] längst ned på skärmen för att skapa en anslutning till ditt Amazonkonto.
- Klicka sedan på [Amazon Alexa].

- Klicka på [Logga in med Amazon] för att öppna webbläsaren så att du kan ange dina inloggningsuppgifter.

Information



- Om Amazon Shopping App redan är installerad och konfigurerad i din telefon hoppar du över följande steg.
 - Ange inloggningsuppgifterna till ditt Amazonkonto med telefonens knappar och bekräfta med Bekräfta.
 - Alternativt kan du skapa ett nytt Amazonkonto genom att klicka på [Skapa ett nytt Amazonkonto].
- Efter lyckad inloggning kommer du tillbaka till Hama Smart Audio App.
 - Välj vilket språk som Alexa ska reagera på framöver.
 - Öppna Amazon Alexa App och ange dina inloggningsuppgifter igen om det behövs. Nu ska du hitta den anslutna högtalaren vid din aktiva enhet.
 - Ange samtidigt dina personliga inställningar (tidszon, enhetsnamn etc.) i Amazon Alexa App. Ytterligare information hittar du på www.amazon.de -> Hjälp och kundtjänst.

Information



- Om Amazon Market App redan är installerad och konfigurerad i din telefon hämtar vissa telefoner användardata direkt från appen.
- Avregistrera dig och upprepa de steg som beskrivs i detta avsnitt för att skapa ett nytt Amazonkonto.

Information Alexa Push to talk/ Function Key



- Tryck kort på knappen [ÅTGÄRD] (4) på högtalaren för att aktivera Alexa om ljudvolymen är hög vid uppspelningen. Tryck alternativt på [Åtgärd] (3) på fjärrkontrollen.
- Tryck på [MIKROFON TYST] (3) för att stänga av mikrofonerna. När mikrofonerna är avstängda lyser statuslysdioderna (1–5) rött med fast sken. Tryck alternativt på [Mikrofon tyst] (4) på fjärrkontrollen.
- Högtalaren reagerar inte på aktiveringsordet förrän mikrofonerna aktiveras igen.
- Tryck en gång till på [MIKROFON TYST] (3) för att aktivera mikrofonen igen. Tryck alternativt på [Mikrofon tyst] (4) på fjärrkontrollen. Statuslysdioderna (1–5) slocknar.

6. Bluetooth första anslutning (parkoppling)

Via Bluetooth kan du ansluta perifera enheter till högtalaren och använda dem som uppspelningsenheter. Uppspelningen styrs då direkt från slutenheten eller från fjärrkontrollen. Du kan även reglera volymen direkt på högtalaren.

Information – Bluetooth®



- Kontrollera om din bärbara enhet (smarttelefon, surfplatta etc.) är Bluetooth-kompatibel.
 - Observera att räckvidden för *Bluetooth*® uppgår till max. 10 meter utan hinder som väggar, människor och dylikt.
 - Anslutningen kan störas av andra *Bluetooth*®-enheter/förbindelser i närheten.
 - Högtalaren kan bara anslutas till en perifer enhet i taget.
 - Tänk på att kompatibiliteten beror på vilka *Bluetooth*®-profiler som stöds samt på vilka *Bluetooth*®-versioner som används (se: Tekniska data, bruksanvisning för den enhet som används).
- Kontrollera att din Bluetooth-kompatibla enhet är påslagen och att Bluetooth är aktiverat.
 - Aktivera Bluetooth-läget genom att trycka upprepade gånger på knappen [KÄLLA] (2) på högtalaren.
 - Tryck alternativt på [Bluetooth] (13) på fjärrkontrollen.
 - Statuslysdioden Bluetooth (4) börjar blinka blått.
 - Håll knappen [KÄLLA] (2) intryckt i ca två sekunder för att aktivera pairing-läget. Statuslysdioden Bluetooth (4) börjar blinka blått och en summerton hörs.
 - Öppna Bluetooth-inställningarna på den perifera enheten och vänta tills Hama SIRIUM2000AMBT/ SIRIUM2100AMBT visas i listan över Bluetooth-enheter.
 - Starta eventuellt sökningsen efter Bluetooth-enheter på din perifera enhet.
 - Välj högtalaren Hama SIRIUM2000AMBT/ SIRIUM2100AMBT i listan över tillgängliga enheter och vänta tills du ser att högtalaren visas som ansluten i Bluetooth-inställningarna för den perifera enheten.
 - Nu lyser statuslysdioden för Bluetooth (4) kontinuerligt blått.
 - Starta och styr ljuduppspelningen via din slutenhet resp. fjärrkontrollen.

Information – Bluetooth®-lösenord



Vissa enheter kräver ett lösenord för att upprätta anslutningen till en annan *Bluetooth*®-enhet.

- Ange för anslutning till högtalaren lösenordet **0000** om enheten begär ett lösenord.

7. Anslutning via optisk ingång

Du kan ansluta din enhet (t.ex. TV) till högtalarens digitala ljudingång och spela upp ljudet via högtalaren.

Information



- Stäng av högtalaren innan du ansluter en enhet till den.
 - Ta bort skyddskåporna från den optiska signalkabelns båda ändar före anslutningen.
 - Kabeln får inte klämmas eller bockas.
- Anslut en optisk signalkabel till högtalarens optiska ljudingång och till din slutenhets optiska ljudutgång för att spela upp via den optiska ljudanslutningen. Välj optiskt läge.
- Håll [TILL/FRÅN] (1) intryckt i ca 3 sekunder för att koppla in högtalaren.
- Aktivera optiskt läge genom att trycka upprepade gånger på knappen [KÄLLA] (2) på högtalaren.
- Statuslysdioden Optisk (4) lyser lila när optiskt läge är valt.
- Tryck alternativt på [Optisk ingång] (12) på fjärrkontrollen.

8. Anslutning via AUX-ingång/AUX-utgång

Via den analoga ljudingången kan du ansluta mobila enheter (t.ex. smartphone, surfplatta, PC, MP3-spelare etc.) och äldre analoga ljudkällor (CD/DVD-spelare etc.) till högtalaren och återge dessa ljudkällor via högtalaren. Anslutningen kan ske med en 3,5 mm ljudkabel (telekabel).

Via den analoga ljudutgången (5) kan du ansluta ytterligare högtalare för ljuduppspelningen.

Information



- Stäng av högtalaren innan du ansluter en enhet till den.
 - Kabeln får inte klämmas eller bockas.
- För återgivning via AUX-ingång ansluter du din slutenhet via AUX-ingången (4) med en 3,5 mm ljudkabel (telekabel) till högtalaren och väljer AUX-läge.
- För återgivning via AUX-utgång ansluter du t.ex. ytterligare högtalare/en förstärkare via AUX-utgången (5) med en 3,5 mm ljudkabel (telekabel) till högtalaren och väljer AUX-läge.
- Tryck på [TILL/FRÅN] (1) för att koppla in högtalaren.
- Aktivera AUX-läget genom att trycka upprepade gånger på knappen [KÄLLA] (2) på högtalaren.
- Statuslysdioden (4) lyser ljusblått när AUX-läget är valt.
- Starta och styr ljuduppspelningen via den anslutna slutenheten.
- Tryck alternativt på [Linjeingång] (14) på fjärrkontrollen.

9. Fabriksinställningar

För att återställa högtalaren till fabriksinställningen (inställningen vid leverans) gör du så här:

- Håll knapparna [INSTÄLLNING] (2) och [ÅTGÄRD] (4) intryckta i ca sex sekunder för att återställa högtalaren till fabriksinställningen.
- När högtalaren är återställd startar den om.

Information



- Problem och funktionsfel kan i vissa fall åtgärdas genom en återställning till fabriksinställningarna.
- Alla förinställningar som equalizer, favoriter och nätverksprofiler raderas dock permanent.

10. Underhåll och skötsel

- Använd bara en luddfri, lätt fuktad trasa för att rengöra produkten och använd inga aggressiva rengöringsmedel.
- Stäng av radion och dra ur sladden om den inte ska användas på ett tag. Förvara den på en ren och torr plats utan direkt solljus.

11. Garantifriskrivning

Hama GmbH & Co. KG tar inget ansvar eller ger ingen garanti för skador som beror på olämplig installation eller montering och olämplig produktanvändning eller på att bruksanvisningen och/eller säkerhetskänslningarna inte följts.

12. Försäkran om överensstämmelse

CE Härmed försäkras Hama GmbH & Co KG, att denna typ av radioutrustning [00054881, 00054882, 00054886, 00054887]

överensstämmer med direktiv 2014/53/EU. Den fullständiga texten till EU-försäkran om överensstämmelse finns på följande webbadress:

www.hama.com -> 00054881, 00054882, 00054886, 00054887 -> Downloads.

Eller de frekvensband	Bluetooth: 2.402 GHz - 2.480 GHz WiFi: 2.402 GHz – 2.480 GHz WiFi: 2.412 GHz – 2.483 GHz WiFi: 5.150 GHz – 5.350 GHz WiFi: 5.470 GHz – 5.725 GHz
Maximala radiofrekvenseffekt	Bluetooth: 4 dBm (EIRP) WiFi: 2.4 GHz / 19.5 dBm (EIRP) WiFi: 5 GHz / 16.5 dBm (EIRP)

Restriktioner eller krav i

Belgien, Bulgarien, Tjeckien, Danmark, Tyskland, Estland, Irland, Grekland, Spanien, Frankrike, Kroatien, Italien, Cypern, Lettland, Litauen, Luxemburg, Ungern, Malta, Nederländerna, Österrike, Polen, Portugal, Rumänien, Slovenien, Slovakien, Finland, Sverige, Storbritannien

Information



Om kanalerna 36–64 (frekvens 5,150 GHz–5,350 GHz) används i 5 GHz WLAN får produkten endast användas inomhus.

Käyttöelementit ja näytöt

A. Kaiuttimen ohjauspaneeli

1. [VIRTA]-PAINIKE
2. [LÄHDE]-PAINIKE
3. [MIKROFONIN MYKISTYS]-PAINIKE
4. [TOIMINTO]-PAINIKE
5. [ÄÄNENVOIMAKKUUS] – -PAINIKE
6. [ÄÄNENVOIMAKKUUS] + -PAINIKE

B. Etuosa

1. Tila-LED 1–5
2. Tila-LEDin päivitys

C. Takaosa

1. Kierre seinäpidikkeelle
2. [ASENNUS]-painike
3. Optical-in-liitin
4. AUX-in-liitin
5. AUX-out-liitin
6. USB (toisto ja päivitys)
7. Verkkojohto

D. Fernbedienung

1. Virta
2. Kaiuttimen mykistys
3. Toiminto
4. Mikrofonin mykistys
5. Basso +
6. Basso –
7. Äänenvoim. +
8. Äänenvoim. –
9. EQ1 (vakio)
10. ilman toimintoa
11. EQ2 (MyEQ)
12. Optical IN
13. Bluetooth
14. Line-IN
15. Edellinen
16. Toista/tauko
17. Seuraava
18. Parinmuodostus

Tärkeä ohje - käyttöohje:



- Tämä on lyhyt ohje, jossa annetaan tärkeimmät perustiedot, kuten turvallisuusohjeet ja tuotteen käyttöönotton opastus.
- Ympäristön suojelemiseksi ja arvokkaiden raaka-aineiden säästämiseksi Hama ei toimita painettuja käyttöohjeita ja tarjoaa ne ainoastaan PDF-latauksina / sähköisinä ohjeina osoitteessa www.hama.com.
- Käytä hakutoimintoa hakemisen helpottamiseksi ja tuotenumeroa hakusanana löytääksesi oman tuotteesi dokumentaation.
- Tallenna käyttöohje tietokoneellesi ja tulosta se tarpeen vaatiessa.

1. Varoitusten ja ohjeiden selitykset

Sähköiskun riski



Tämä symboli viittaa tuotteen eristämättömien osien kosketusta aiheutuvaan vaaraan, joka saattaa aiheuttaa niin suuren jännitteen, että on olemassa sähköiskun vaara.

Varoitus



Käytetään turvaohjeiden merkitsemiseen ja huomion kiinnittämiseen erityisiin vaaroihin ja riskeihin.

Ohje



Käytetään lisätietojen tai tärkeiden ohjeiden merkitsemiseen

2. Pakkauksen sisältö

- "SIRIUM2000AMBT/SIRIUM2100AMBT"- Hama Smart Speaker
- Verkkoalaite
- SRC-1805-Layout B-kaukosäädin
- 2 AAA-paristoa
- Pikaohje

3. Turvaohjeet

- Tuote on tarkoitettu ainoastaan sisäkäyttöön.
- Tuote on tarkoitettu yksityiseen, ei-kaupalliseen kotikäyttöön.
- Suojaa tuote lialta, kosteudelta ja ylikuumenemiselta, ja käytä sitä vain kuivissa tiloissa.
- Tämä tuote, kuten muutkaan sähkökäyttöiset tuotteet, ei kuulu lasten käsiin!
- Älä päästä laitetta putoamaan, äläkä altista sitä voimakkaalle tärinälle.
- Älä käytä tuotetta sen teknisissä tiedoissa ilmoitettujen suorituskykyrajojen ulkopuolella.
- Pidä pakkausmateriaalit poissa lasten ulottuvilta, niistä aiheutuu tukehtumisvaara.
- Hävitä pakkausmateriaalit heti paikallisten jätehuoltomääräysten mukaisesti.
- Älä tee muutoksia laitteeseen. Muutosten tekeminen aiheuttaa takuun raukeamisen.

Sähköiskun riski



- Älä avaa tuotetta, äläkä käytä sitä enää, jos se on vaurioitunut.
- Älä käytä tuotetta, jos AC-adaptteri, adapterin johto tai virtajohto on vaurioitunut.
- Älä yritä huoltaa tai korjata tuotetta itse. Jätä kaikki huoltotyöt vastuulliselle ammattihenkilöstölle.

Varoitus - Paristot



- Varmista ehdottomasti, että paristojen navat (merkinnot + ja -) ovat oikein päin, ja aseta ne paikoilleen sen mukaisesti. Jos tätä ohjetta ei noudateta, paristot voivat vuotaa tai räjähtää.
- Älä anna lasten vaihtaa paristoja ilman valvontaa.
- Älä sekoita keskenään vanhoja ja uusia paristoja tai erityyppisiä tai eri valmistajan paristoja.
- Ota paristot pois laitteista, jotka ovat pitkään käyttämättä,
- Älä oikosulje paristoja.
- Älä lataa paristoja.
- Älä heitä paristoja tuleen.
- Säilytä paristot poissa lasten ulottuvilta.
- Poista tyhjentyneet paristot tuotteesta ja hävitä ne viipymättä.

4. Käyttöönotto

Kaukosäätimen käyttöönotto

Avaa paristolokeron kansi. Kaukosäätimen takaosassa sijaitseva paristolokero voidaan avata työntämällä kantta merkittyyn suuntaan. Toimitus sisältää kaksi AAA-paristoa, jotka täytyy asettaa paristolokeroon käyttöä varten. Huomioi, että paristot asetetaan sisään oikein päin. Napaisuus (+/-) on merkitty paristolokeroon.

Varoitus



- Ota tuotteeseen virta ainoastaan sallitusta pistorasiasta. Pistorasian tulee olla asennettu tuotteen lähelle sekä helposti saavutettavissa.
- Kytke tuote irti verkosta virtakatkaisimen avulla. Mikäli katkaisinta ei ole, irrota virtajohto pistorasiasta.
- Huomioi monipaikkaisten pistorasioiden yhteydessä, että liitetyt kuluttajat eivät saa ylittää sallittua kokonaisototehoa.
- Erota tuote verkosta, jos et käytä sitä pidempään aikaan.

Kytkeminen päälle

- Yhdistä kaiuttimen verkkolaite asianmukaisesti asennettuun pistorasiaan.
- Kaiutin kytkeytyy päälle automaattisesti.

Ohje – ensimmäisen käyttöönoton yhteydessä



- Ensimmäistä kertaa päällekytkettäessä kaiutin on "Laitteen alkuasetukset" -tilassa ja tila-LEDit (1–5) sykkivät.
- Jos asetustila ei ole aktiivinen, paina lyhyesti laitteen takaosassa olevaa [ASENNUS]-painiketta (2), jotta WPS-tila aktivoituu (vilkkuu nopeasti). Vaihtoehtoisesti voit pitää [ASENNUS]-painiketta (2) n. 7 sekuntia alapainettuna avataksesi AccessPointin (vilkkuu hitaasti).
- Kytkettäessä uudelleen päälle kaikki LEDit (1–5) vilkkuvat oransseina, kunnes aiemmat yhteydet toimivat jälleen. Tämä voi kestää 20 sekuntia internetin signaalin voimakkuudesta riippuen.

Päällekytkentä/poiskytkentä/valmiustila

- Kytke kaiutin päälle painamalla [VIRTA]-painiketta (1). Vaihtoehtoisesti voit painaa kaukosäätimen [VIRTA]-painiketta (1).
- Kytke kaiutin pois päältä painamalla uudelleen laitteen tai kaukosäätimen [VIRTA]-painiketta (1). (Valmiustila)

Ohje



- Kytke kaiutin kokonaan pois päältä irrottamalla se virtalähteestä.

Äänenvoimakkuuden sopeuttaminen/mykistys

- Pienennä/suurena äänenvoimakkuutta painamalla [ÄÄNENVOIMAKKUUS -/+]-painiketta.
- Mykistä kaiutin painamalla kaukosäätimen [MUKISTUS]-painiketta (2).
- Palauta äänenvoimakkuus samalle tasolle kuin ennen mykistämistä painamalla uudelleen [MUKISTUS]-painiketta (2).

5. Kaiuttimen asennus

Ohje



- Tuotteen kaikkien toimintojen käyttäminen edellyttää Amazon Alexa -sovelluksen lataamista ja Amazon-tilin luomista. Noudata Amazon Alexa -sovelluksen ohjeita. Lisätietoja on sivulla www.amazon.com.

5.1 Hama Smart Audio -sovelluksen lataaminen

Ohje



Seuraavia käyttöjärjestelmiä tuetaan:

- iOS 8 tai uudempi
- Android 4.4.2 tai uudempi
- Ava iTunes AppStore tai Google Play Store älypuhelimesta.
- Käytä hakusanaa "Hama Smart Audio".
- Lataa sovellus normaaliin tapaan ja asenna se älypuheliimeen. Noudata älypuhelimien ohjeita.

5.2 Laitteen ensiasetusten tekeminen käytettäessä Hama Smart Audio -sovellusta (ALEXA-toiminto)

Ohje - WLAN (langaton verkko)



- Varmista, että reititin on kytkettynä päälle ja yhteys internettiin / verkkoon on muodostettuna.
- Aktivoi reitittimesi WLAN-yhteys, jos ei vielä aktivoituna.
- Jos sinulle ilmaantuu kysymyksiä reitittimen konfiguraatiosta, käytä vian etsintään / ongelman ratkaisuun reitittimen käyttöohjetta.
- Varmista, että kaiutin on WLAN-parinmuodostustilassa. Tila-LEDit (1–5) vilkkuvat.
- Varmista, että Hama Smart Audio App -sovellus ja kaikki päivitykset on asennettu älypuheliimeen.
- Avaa Hama Smart Audio App -sovellus ja kosketa kohtaa [MÄÄRITÄ].
- Kosketa sen jälkeen kohtaa [Lisää kaiuttimia].
- Avaa älypuhelimien WLAN-asetukset koskettamalla kohtaa [AVAA asetukset].

- Hae älypuhelimien WLAN-asetuksista Hama SIRIUM2000AMBT/SIRIUM2100AMBT -kaiutin.

Ohje



- Kaiutin muodostaa oman WLAN-verkkonsa, jonka nimi on SIRIUMAsennus ja jossa on MAC-osoitteen kuusi ensimmäistä lukua. (esim. SIRIUMAsennus_E69EBB) Tämä WLAN ei vaadi salasanaa
- Yhdistä älypuhelin kaiuttiimeen.
- Palaa sitten älypuhelimien Hama Smart Audio App -sovellukseen.
- Valitse WLAN-nimi (SSID), johon haluat yhdistää kaiuttimen.
- Anna verkkoavain ja vahvista se painamalla [Tallenna].
- Vahvista tehdyt asetukset koskettamalla kohtaa [VAHVISTA].
- Kaiutin yhdistetään nyt verkkoon. Yhteyden onnistuessa älypuhelimessa näkyy "Kaiuttimen määrittäminen onnistui".
- LEDit sammuvat muutaman sekunnin kuluttua.

Ohje



- iOS-laitteissa käytettäessä sovellus saattaa sulkeutua, jonka jälkeen se täytyy käynnistää uudelleen. Noudata sitten kahta seuraavaa ohjetta.
- Valmiiksi asetetun äänipalkin tulisi näkyä nyt päävalikossa. Paina kaiuttimen kuvaketta.
- Muodosta yhteys Amazon-tiliisi koskettamalla kohtaa [Lähteet] näytön alareunassa.
- Kosketa sitten [Amazon Alexa]-painiketta.
- Avaa verkkoselain antaaksesi käyttötiedot koskettamalla kohtaa [Kirjautu sisään Amazonilla].

Ohje



- Jos Amazon Shopping App -sovellus on jo asennettu ja määritetty älypuheliimeen, seuraavat vaiheet ohitetaan.
- Anna älypuhelimien näppäimillä Amazon-tilin käyttötiedot ja vahvista syöttö sisäänkirjautumalla.
- Vaihtoehtoisesti voit luoda uuden Amazon-tilin koskettamalla kohtaa [Luo uusi Amazon-tili].
- Kirjautumisen onnistuessa pääset takaisin Hama Smart Audio App -sovellukseen.
- Valitse sitten kieli, jolla Alexan tulee reagoida.
- Avaa Amazon Alexa App -sovellus ja anna tarvittaessa uudelleen käyttötietosi. Lopuksi kaiutin tulisi näkyä aktiivisissa laitteissa.
- Tee sitten omat asetukset (aikavyöhyke, laitenimi jne.) Amazon Alexa App -sovellukseen. Lisätietoa löydät osoitteesta www.amazon.de -> Tuki ja asiakaspalvelu.

Ohje



- Jos Amazon Market App -sovellus on jo asennettu ja määritetty älypuheliimeen, jokin älypuhelimet hakevat käyttäjätiedot suoraan sovelluksesta.
- Määritä uusi Amazon-tili kirjautumalla ulos ja toistamalla tässä luvussa kuvatut vaiheet.

Ohje Alexa Push to talk/ Function Key



- Aktivoi Alexa äänentoiston aikana tai äänenvoimakkuuden ollessa kovalla painamalla lyhyesti kaiuttimen [Toiminto]-painiketta (4). Vaihtoehtoisesti voit painaa kaukosäätimen [Toiminto]-painiketta (3).
- Kytke mikrofonit pois päältä painamalla [Mikrofonin mykistys]-painiketta (3). Kun mikrofonit on deaktivoitu, tila-LEDit (1–5) palavat punaisina. Vaihtoehtoisesti voit painaa kaukosäätimen [Mikrofonin mykistys]-painiketta (4).
- Kaiutin reagoi aktivointisanaan vasta sitten, kun mikrofonit aktivoidaan uudelleen.
- Aktivoi mikrofonit uudelleen painamalla uudelleen [Mikrofonin mykistys]-painiketta (3). Vaihtoehtoisesti voit painaa kaukosäätimen [Mikrofonin mykistys]-painiketta (4). Tila-LEDit (1–5) sammuvat.

6. Ensimmäinen Bluetooth-yhteys (parinmuodostus)

Päätelaiteet voi yhdistää kaiuttimen kanssa Bluetooth-yhteyden avulla, jolloin kaiutinta voi käyttää audiosignaalin toistolaitteena. Toistoa ohjataan suoraan päätelaitteella tai kaukosäätimellä. Myös äänenvoimakkuutta voi säädellä suoraan kaiuttimesta.

Ohje – Bluetooth®



- Tarkasta, onko mobiililaitte (älypuhelin, tablettitietokone, tms.) Bluetooth-yhteensopiva.
- Huomioi, että Bluetooth®-yhteyden kantavuus on enintään 10 metriä, ilman esteitä kuten seinät, henkilöt, tms.
- Yhteys voi häiriytyä muiden lähistöllä olevien Bluetooth®-laitteiden/-yhteyksien vuoksi.
- Kaiuttimen voi liittää aina vain yhteen päätelaitteeseen.
- Huomaa, että yhteensopivuus riippuu tuetuista Bluetooth®-profiileista sekä käytetyistä Bluetooth®-versioista. (ks.: Tekniset tiedot, käytetyn päätelaitteen käyttöohje)

- Varmista, että Bluetooth-kykyinen päätelaite on päällekytketty ja että Bluetooth on aktivoitu.
- Aktivoi Bluetooth-tila painamalla toistuvasti kaiuttimen [LÄHDE]-painiketta (2).
- Vaihtoehtoisesti voit painaa kaukosäätimen [Bluetooth]-painiketta (13).
- Bluetooth-painikkeen (4) tila-LED alkaa sykkimään sinisenä.
- Aktivoi parinmuodostustila pitämällä [LÄHDE]-painiketta (2) n. 2 sekunnin ajan alaspainettuna. Bluetooth-painikkeen (4) tila-LED alkaa vilkkumaan sinisenä ja äänimerkki kuuluu.
- Avaa päätelaitteen Bluetooth-asetukset ja odota, kunnes löydettyjen Bluetooth-laitteiden listassa näkyy Hama SIRIUM2000AMBT/SIRIUM2100AMBT.
- Käynnistä tarvittaessa Bluetooth-laitteiden haku päätelaitteesta.
- Valitse kaiutin Hama SIRIUM2000AMBT/SIRIUM2100AMBT saatavilla olevien laitteiden listasta ja odota, kunnes kaiutin näytetään päätelaitteen Bluetooth-asetuksissa kytkettynä.
- Tila-LED Bluetooth (4) palaa nyt jatkuvasti sinisenä.
- Käynnistä ja ohjaa audiotointoa päätelaitteella tai kaukosäätimellä.

Ohje – Bluetooth® - salasana



Tietyt päätelaiteet tarvitsevat salasanan yhteyden muodostamiseksi toisen Bluetooth®-laitteen kanssa.

- Syötä kaiuttimen yhteyden salasanaaksi **0000**, mikäli päätelaite pyytää syöttämään salasanana.

7. Liittäminen Optical IN -johdolla

Päätelaite (esim. TV) voidaan liittää ja sen äänisignaali voidaan toistaa kaiuttimesta kaiuttimen digitaalisen äänitulon kautta.

Ohje



- Kytke kaiutin pois päältä ennen kuin liität siihen päätelaitteen.
- Ennen liittämistä poista suojukset optisen signaalijohdon molemmista päistä.
- Älä taita tai purista johtoa.
- Optisen ääniliitännän kautta tapahtuvaa toistoa varten liitä optinen signaalijohto kaiuttimen optiseen äänitulon ja päätelaitteen optiseen äänilähtöön sekä valitse optinen tila.
- Kytke kaiutin päälle painamalla ja pitämällä [VIRTA]-painiketta (1) alaspainettuna n. 3 sekuntia.
- Aktivoi kaiuttimen optinen tila painamalla toistuvasti [LÄHDE]-painiketta (2).
- Optinen tila-LED (4) palaa liilana, kun optinen tila on aktivoitu.
- Vaihtoehtoisesti voit painaa kaukosäätimen [Optical IN]-painiketta (12).

8. Liitäntä Auxiliary In/Auxiliary Out -johdolla

Mobiililaitteet (esim. älypuhelin, tabletti, MP3-soitin jne.) ja muut analogiset lähteet (CD-/DVD-soitin jne.) voidaan liittää ja niiden äänisignaali voidaan toistaa kaiuttimesta analogisen äänitulon kautta. Liitäntä voidaan tehdä 3,5 mm:n äänijohdolla (jakkijohto). Analogiseen äänilähtöön (5) voidaan liittää useampia kaiuttimia, joiden kautta äänisignaali voidaan myös toistaa.

Ohje



- Kytke kaiutin pois päältä ennen kuin liität siihen päätelaitteen.
- Älä taita tai purista johtoa.

AUX-in-liitäntän kautta tapahtuvaa toistoa varten liitä päätelaite kaiuttimeen AUX-in-liittimen (4) kautta 3,5 mm:n äänijohdolla (jakkijohto) ja valitse AUX-tila.

- AUX-out-liitäntän kautta tapahtuvaa toistoa varten liitä esim. useampi kaiutin/vahvistin kaiuttimeen AUX-out-liittimen (5) kautta 3,5 mm:n äänijohdolla (jakkijohto) ja valitse AUX-tila.
- Kytke kaiutin päälle painamalla [VIRTA]-painiketta (1).
- Aktivoi kaiuttimen AUX-tila painamalla toistuvasti [LÄHDE]-painiketta (2).
- Tila-LED (4) palaa syaanina, kun AUX-tila on valittu.
- Käynnistä ja ohjaa audiotointoa liitettyllä päätelaitteella.
- Vaihtoehtoisesti voit painaa kaukosäätimen [LINE IN]-painiketta (14).

9. Tehdasasetukset

Palauta kaiutin tehdasasetuksiin (toimitustila) seuraavalla tavalla:

- Palauta kaiutin tehdasasetuksiin pitämällä [ASENNUS]-painiketta (2) ja [Toiminto]-painiketta (4) n. 6 sekuntia alaspainettuina.
- Onnistuneen palautuksen jälkeen kaiutin käynnistetään uudelleen.

Ohje



- Ongelmat ja virhetoiminnot voidaan mahdollisesti korjata palauttamalla kaiutin tehdasasetuksiin.
- Kuitenkin kaikki esiasetukset kuten taajuuskorjain, suosikit ja verkkoprofiilit poistetaan peruuttamattomasti.

10. Hoito ja huolto

- Puhdista tämä tuote ainoastaan nukkaamattomalla, kevyesti kostutetulla liinalla äläkä käytä syövyttäviä puhdistusaineita.
- Mikäli et käytä tuotetta pidempään aikaan, kytke laite pois päältä ja erota se sähköverkosta. Varastoi se puhtaassa, kuivassa tilassa ilman suoraa auringon säteilyä.

11. Vastuun rajoitus

Hama GmbH & Co. KG ei vastaa millään tavalla vahingoista, jotka johtuvat epäasianmukaisesta asennuksesta tai tuotteen käytöstä eikä käyttöohjeen ja/tai turvaohjeiden vastaisesta toiminnasta.

12. Vaatimustenmukaisuusvakuutus

CE Hama GmbH & Co KG vakuuttaa, että radiolaitetyyppi [00054881, 00054882, 00054886, 00054887] on direktiivin 2014/53/EU mukainen.

EU-vaatimustenmukaisuusvakuutuksen täysimittainen teksti on saatavilla seuraavassa internetosoitteessa: www.hama.com -> 00054881, 00054882, 00054886, 00054887 -> Downloads.

Radiotaajuudet	Bluetooth: 2.402 GHz - 2.480 GHz WiFi: 2.402 GHz – 2.480 GHz WiFi: 2.412 GHz – 2.483 GHz WiFi: 5.150 GHz – 5.350 GHz WiFi: 5.470 GHz – 5.725 GHz
Suurin mahdollinen lähetysteho radiotaajuuksilla	Bluetooth: 4 dBm (EIRP) WiFi: 2.4 GHz / 19.5 dBm (EIRP) WiFi: 5 GHz / 16.5 dBm (EIRP)

Käyttöä koskee rajoituksia tai vaatimuksia:ssa/ssä

Belgia, Bulgaria, Tsekin tasavalta, Tanska, Saksa, Viro, Irlanti, Kreikka, Espanja, Ranska, Kroatia, Italia, Kypros, Latvia, Liettua, Luxemburg, Unkari, Malta, Alankomaat, Itävalta, Puola, Portugali, Romania, Slovenia, Slovakia, Suomi, Ruotsi, Yhdistynyt kuningaskunta

Ohje



Mikäli kanavia 36-64 (taajuus 5,150 GHz – 5,350 GHz) käytetään 5 GHz:n WLAN:issa, tuotetta saa käyttää vain suljetuissa tiloissa.

Betjeningselementer og visninger

A. Betjeningspanel højttaler

1. [POWER]-TAST
2. [SOURCE]-TAST
3. [MIKROFON-MUTE]-TAST
4. [AKTION]-TAST
5. [VOLUME] - TAST
6. [VOLUME] + TAST

B. Forside

1. Status-LED 1-5
2. Status-LED opdatering

C. Bagside

1. Gevind til vægholder
2. [SETUP]-tast
3. Optical-In-bøsning
4. AUX-In-bøsning
5. AUX-Out-bøsning
6. USB (playback & update)
7. Netforsyningsledning

D. Fjernbetjening

1. Power
2. Højttaler mute
3. Aktion
4. Mikrofon mute
5. Bass +
6. Bass –
7. Vol +
8. Vol –
9. EQ1 (standard)
10. Uden funktion
11. EQ2 (MyEQ)
12. Optical IN
13. Bluetooth
14. Line-IN
15. Previous
16. Play / Pause
17. Next
18. Pairing

Vigtig henvisning - Betjeningsvejledning:



- Dette er en kort vejledning, som giver dig vigtige basis-informationer om ibrugtagning af dit produkt og sikkerhedshenvisninger.
- Af miljømæssige årsager undlader firmaet Hama at printe betjeningsvejledningen for at undgå spild af værdifulde råstoffer, og tilbyder heraf denne udelukkende som PDF-download/eManual under www.hama.com an.
- Anvend søgefunktionen for lettere at kunne finde produktdokumentationen med artikelnummeret som søgebegreb.
- Gem denne betjeningsvejledning for at kunne søge efter informationer i denne på din computer og udprint den om nødvendigt.

1. Forklaring af advarselssymboler og henvisninger

Fare for elektrisk stød



Dette symbol henviser til fare for berøring af produktets uisolerede dele, som muligvis leder en farlig spænding, der er så kraftig, at der er fare for elektrisk stød.

Advarsel



Anvendes til at markere sikkerhedshenvisninger eller til at gøre opmærksom på særlige farer og risici.

Bemærkning



Anvendes til at markere yderligere informationer eller vigtige henvisninger.

2. Pakningsindhold

- Hama Smart Speaker "SIRIUM2000AMBT/SIRIUM2100AMBT"
- Strømforsyning
- Fjernbetjening SRC-1805-Layout B
- 2x batterier AAA
- Lynvejledning

3. Sikkerhedshenvisninger

- Produktet er kun beregnet til brug inde i bygninger.
- Produktet er beregnet til privat, ikke-erhvervs-mæssig husholdningsbrug.
- Beskyt produktet mod smuds, fugtighed og overophedning, og anvend det kun i tørre rum.
- Dette produkt skal, som alle elektriske produkter, opbevares utilgængeligt for børn!
- Tab ikke produktet, og udsæt det ikke for kraftige rystelser.
- Anvend ikke produktet uden for dets ydelsesgrænser, der er angivet i de tekniske data.
- Hold ubetinget børn borte fra emballeringsmaterialet, der er fare for kvælning.
- Bortskaf straks emballeringsmaterialet i henhold til de lokalt gældende forskrifter for bortskaffelse.
- Undlad at foretage ændringer på apparatet. Derved bortfalder alle garantikrav

Fare for elektrisk stød



- Åbn ikke produktet, og anvend det ikke længere ved beskadigelser.
- Anvend ikke produktet, hvis AC-adapteren, adapterkablet eller netledningen er beskadiget.
- Forsøg aldrig selv at vedligeholde eller reparere produktet. Overlad alle vedligeholdelsesarbejder til det ansvarlige fagpersonale.

Advarsel - batterier



- Sørg ubetinget for, at batteriernes poler vender rigtigt (påskrift + og -), og læg dem tilsvarende i. Ved manglende overholdelse er der fare for, at batterierne løber ud eller eksploderer.
- Tillad ikke, at børn udskifter batterier uden opsyn.
- Bland ikke gamle og nye batterier og batterier af for forskellig type eller fra forskellige producenter.
- Fjern batterier fra produkter, der ikke anvendes i længere tid.
- Kortslut ikke batterierne.
- Oplad ikke batterier.
- Kast ikke batterier i ild.
- Opbevar batterier uden for børns rækkevidde.
- Fjern og bortskaf brugte batterier fra produktet med det samme.

4. Ibrugtagning

Ibrugtagning af fjernbetjeningen

Åbn afdækningen på batterirummet. Den sidder på bagsiden af fjernbetjeningen og kan åbnes ved at skubbes i den markerede retning. Der medfølger to AAA-batterier, som skal sættes i batterirummet i forbindelse med ibrugtagningen. Vær opmærksom på polariteten, når du sætter batterierne i. Den korrekte polaritet (+ / -) er vist i batterirummet.

Advarsel



- Tilslut kun produktet til en stikdåse, der er godkendt til det. Stikdåsen skal være placeret i nærheden af produktet, og der skal være nem adgang til den.
- Afbryd produktet fra nettet ved hjælp af tænd/sluk-kontakten - træk netledningen ud af stikdåsen, hvis kontakten ikke findes.
- Vær ved multistikdåser opmærksom på, at de tilsluttede forbrugere ikke overskrider det tilladte samlede effektforbrug.
- Afbryd produktet fra nettet, hvis du ikke bruger det i længere tid.

Tilkobling

- Forbind højttalerens netkabel med en korrekt installeret stikdåse.
- Højttaleren tændes automatisk.

Bemærk – når radioen tændes første gang



- Første gang højttaleren tændes, er den i modus "første konfigureringsgang af enheden", og status-LED'erne (1-5) pulserer.
- Hvis konfigureringsmodus ikke er aktiv, skal du trykke kort på [SETUP]-tasten (2) på apparatets bagside for at aktivere WPS-modus (blinker hurtigt). Alternativt kan du trykke på [SETUP]-tasten (2) og holde den inde i ca. 7 sekunder for at åbne et AccessPoint (blinker langsomt).
- Næste gang der tændes, blinker alle status-LED'er (1-5) orange, indtil tidligere aktiverede forbindelser er oprettet igen. Dette kan tage op til 20 sekunder afhængigt af internettets signalstyrke.

Tænd/sluk/standby

- Tryk på [POWER] (1) for at tænde højttaleren. Tryk alternativt på [POWER] (1) på fjernbetjeningen.
- Tryk igen på [POWER] (1) på apparatet eller fjernbetjeningen for at slukke højttaleren. (Standby)

Bemærkning



- For at slukke højttaleren helt skal du afbryde strømforsyningen til den.

Tilpasning af lydstyrke/mute

- Tryk på [VOLUME -/+] for at reducere/øge lydstyrken.
- Tryk på [Mute] (2) på fjernbetjeningen for at frakoble radioens lyd.
- Tryk igen på [Mute] (2) for at resette lydstyrken til værdien før frakoblingen.

5. Konfigurering af højttaleren

Bemærkning



- For at kunne anvende produktets fulde funktionsomfang skal Amazon Alexa-appen downloades, og der skal oprettes en Amazon-konto. Følg i den forbindelse anvisningerne i Amazon Alexa-appen. Yderligere informationer hertil findes under www.amazon.com.

5.1 Download af Hama Smart Audio-appen

Bemærkning



Følgende styresystemer understøttes:

- OS 8 eller højere
- Android 4.4.2 eller højere
- Åbn iTunes AppStore eller Google Play Store på din smartphone.
- Benyt søgebegrebet "Hama Smart Audio".
- Download appen som sædvanligt, og installér den på din smartphone. Følg i den forbindelse anvisningerne på din smartphone.

5.2 Første indstilling af apparatet med Hama Smart Audio-appen (ALEXA-funktion)

Bemærkning Bemærk - WLAN (kabeløst netværk)



- Kontrollér, at routeren er tændt, og at der er en forbindelse til internettet/netværket.
- Aktivér din routers WLAN-forbindelse, hvis det endnu ikke er sket.
- Hvis du har spørgsmål vedrørende konfigurationen af routeren, skal du anvende betjeningsvejledningen til routeren til fejlsøgning/problemløsning.
- Kontrollér, at højttaleren er i WLAN pairing-modus. Status-LED'erne (1-5) blinker.
- Sørg for, at Hama Smart Audio-appen er installeret på din smartphone, og at alle opdateringer er installeret.
- Åbn Hama Smart Audio-appen, og berør [CONFIGURE].
- Berør derefter [Add More Speakers].

- Åbn WLAN-indstillingerne for din smartphone ved at berøre [OPEN Settings].
- Søg i din smartphones WLAN-indstillinger efter højttaleren Hama SIRIUM2000AMBT/SIRIUM2100AMBT.

Bemærkning



- Højttaleren opretter sit eget WLAN-net, som bærer betegnelsen SIRIUMSetup og de første seks tegn i MAC-adressen. (f.eks. SIRIUMSetup_E69EBB) Dette WLAN kræver ikke adgangskode
- Forbind din smartphone med højttaleren.
- Vend nu tilbage til Hama Smart Audio-appen på din smartphone.
- Vælg det ønskede WLAN-navn (SSID), som du vil forbinde højttaleren med.
- Indtast nu din netværkskode (hvis påkrævet), og bekræft med [Save].
- Bekræft de valgte indstillinger ved at berøre [CONFIRM].
- Højttaleren opretter nu forbindelse til netværket. Når forbindelsen er oprettet, vises "Højttaler konfigureret korrekt" på smartphonen.
- LED'erne slukkes efter nogle sekunder.

Bemærkning



- Ved i iOS kan det forekomme, at appen nu lukkes og skal genstartes. Gennemfør dernæst de følgende trin.
- Den konfigurerede soundbar bør nu vises i hovedmenuen. Tryk på højttalerikonet.
- Berør [Kilder] ved den nederste skærmmkant for at oprette forbindelse til din Amazon-konto.
- Berør derefter knappen [Amazon Alexa].
- Berør [Sign in with Amazon] for at åbne webbrowseren for indtastning af dine adgangsdata.

Bemærkning



- Hvis Amazon Shopping-appen allerede er installeret og konfigureret på din smartphone, springes de følgende trin over.
- Indtast adgangsdataene til din Amazon-konto med din smartphones tastatur, og bekræft indtastningen med login.
- Alternativt kan du oprette en ny Amazon-konto ved at berøre [Opret ny Amazon-konto].
- Når du er logget ind, kommer du igen tilbage til Hama Smart Audio-appen.
- Vælg nu det sprog, som Alexa skal reagere på i fremtiden.
- Åbn Amazon Alexa-appen, og indtast evt. dine adgangsdata igen. Efterfølgende burde du finde højttaleren ved dine aktive enheder.

- Foretag derefter dine personlige indstillinger (tidszone, enhedsnavn etc.) i Amazon Alexa-appen. Du kan finde flere oplysninger herom på www.amazon.de -> Hjælp og kundeservice.

Bemærkning

- Hvis Amazon Market-appen allerede er installeret og konfigureret på din smartphone, overtager nogle smartphones brugerdataene direkte fra appen.
- For at oprette en ny Amazon-konto skal du logge af og gentage trinene beskrevet i dette kapitel.

Bemærkning Alexa Push to talk/ Function Key

- Tryk kort på [Aktion]-tasten (4) på højttaleren for at aktivere Alexa under audiodrift hhv. ved høj lydstyrke. Tryk alternativt på [Aktion]-tasten (3) på fjernbetjeningen.
- Tryk på [Mikrofon mute]-tasten (3) for at frakoble mikrofonerne. Når mikrofonerne er deaktiveret, lyser status-LED'erne (1-5) konstant rødt. Tryk alternativt på [Mikrofoner mute]-tasten (4) på fjernbetjeningen
- Højttaleren reagerer nu ikke længere på aktiveringsordet, før mikrofonerne aktiveres igen.
- Tryk igen på [Mikrofoner mute]-tasten (3) for at aktivere mikrofonerne igen. Tryk alternativt på [Mikrofoner mute]-tasten (4) på fjernbetjeningen. Status-LED'erne (1-5) slukkes.

6. Bluetooth Erstverbindung (Pairing)

Via Bluetooth kan du forbinde dine slutenheder med højttaleren og anvende den som afspilningsenhed for audiosignaler. Afspilningen styres da direkte via slutenheden eller fjernbetjeningen. Lydstyrken kan også reguleres direkte på højttaleren.

Bemærkning – Bluetooth®

- Kontrollér, om din mobile slutenhed (smartphone, tablet-pc, etc.) er Bluetooth-kompatibelt.
- Vær opmærksom på, at rækkevidden for *Bluetooth®* er maks. 10 meter uden forhindringer som f.eks. vægge, personer, etc.
- Det kan forekomme, at forbindelsen forstyrres af andre *Bluetooth®*-enheder/forbindelser i omgivelserne.
- Højttaleren kan altid kun styres med en slutenhed.
- Vær opmærksom på, at kompatibiliteten afhænger af de understøttede *Bluetooth®*-profiler og de anvendte *Bluetooth®*-versioner. (se: Tekniske data, betjeningsvejledning til den anvendte slutenhed)

- Kontrollér, at din Bluetooth-kompatible slutenhed er tændt, og at Bluetooth er aktiveret.
- Aktivér Bluetooth-modus ved at trykke flere gange på [SOURCE]-tasten (2) på højttaleren.
- Tryk alternativt på [Bluetooth] (13) på fjernbetjeningen.
- Status-LED'en Bluetooth (4) begynder at pulsere blåt.
- Tryk på [SOURCE]-tasten (2), og hold den inde i ca. 2 sekunder for at aktivere pairing-modus. Status-LED'en Bluetooth (4) begynder at blinke blåt, og der lyder en signaltone.
- Åbn Bluetooth-indstillingerne på din slutenhed, og vent, indtil Hama SIRIUM2000AMBT/SIRIUM2100AMBT vises i listen over fundne Bluetooth-enheder.
- Start evt. søgningen efter Bluetooth-enheder på din slutenhed.
- Vælg højttaleren Hama SIRIUM2000AMBT/SIRIUM2100AMBT i listen over tilgængelige enheder, og vent, indtil højttaleren vises som forbundet i Bluetooth-indstillingerne på din slutenhed.
- Statuslysdioden for Bluetooth (4) lyser nu konstant blåt.
- Start og styr audioafspilningen i overensstemmelse hermed via slutenheden eller fjernbetjeningen.

Bemærk – Bluetooth® - adgangskode

- Nogle slutenheder har brug en adgangskode for at oprette forbindelsen med en anden *Bluetooth®*-enhed.
- Indtast adgangskoden **0000** for forbindelsen med radioen, hvis din slutenhed opfordrer til indtastning.

7. Forbindelse via Optical IN

Via højttalerens digitale audioindgang kan du tilslutte din slutenhed (f.eks. TV-apparat) og afspille dettes audiosignal via højttaleren.

Bemærkning



- Sluk højttaleren, inden du slutter slutenheden til den.
- Fjern beskyttelsespropperne i begge ender af det optiske signalkabel inden tilslutning.
- Undgå at knække eller klemme kablet.

- For at afspille via den optiske audiotilslutning skal du tilslutte et optisk signalkabel på højttalerens optiske audioindgang og på din slutenheds optiske audioindgang og vælge Optical modus.
- Tryk på [POWER] (1), og hold tasten inde i ca. 3 sekunder for at tænde højttaleren.
- Aktivér Optical modus ved at trykke flere gange på [SOURCE]-tasten (2) på højttaleren.
- Status-LED'en Optical (4) lyser lilla, når Optical modus er aktiveret.
- Tryk alternativt på [Optical IN] (12) på fjernbetjeningen.

8. Forbindelse via Auxiliary In/Auxiliary Out

Via den analoge audioindgang kan du tilslutte mobile slutenheder (f.eks. smartphone, tablet-pc, MP3-afspiller etc.) og ældre analoge kilder (CD-/DVD-afspiller etc.) til højttaleren og afspille disses audiosignal via højttaleren. Her har du tilslutningsmulighed via et 3,5 mm audiokabel (jack-kabel).

Via den analoge audioindgang (5) kan der tilsluttes flere højttalere, via hvilke audiosignalet ligeledes afspilles.

Bemærkning



- Sluk højttaleren, inden du slutter slutenheden til den.
- Undgå at knække eller klemme kablet.

- For at afspille via AUX-In-tilslutningen skal du forbinde din slutenhed med højttaleren via AUX-In-bøsningen (4) ved hjælp af et 3,5 mm audiokabel (jack-kabel) og vælge AUX-modus.
- For at afspille via AUX-Out-tilslutningen kan du f.eks. forbinde flere højttalere/en forstærker med højttaleren via AUX-Out-bøsningen (5) ved hjælp af et 3,5 mm audiokabel (jack-kabel) og vælge AUX-modus.
- Tryk på [POWER] (1) for at tænde højttaleren.
- Aktivér AUX-modus ved at trykke flere gange på [SOURCE]-tasten (2) på højttaleren.
- Status-LED'en (4) lyser cyan, når AUX-modus er valgt.
- Start og styr audioafspilningen i overensstemmelse hermed via den tilsluttede slutenhed.
- Tryk alternativt på [LINE IN] (14) på fjernbetjeningen.

9. Fabriksindstilling

Gå frem påfølgende måde for at resette højttaleren til fabriksindstillingen (leveringstilstand):

- Tryk på tasterne [SETUP] (2) og [Aktion] (4), og hold dem inde i ca. 6 sekunder for at resette højttaleren til fabriksindstillingerne.
- Når reset er gennemført, genstartes højttaleren.

Bemærkning



- Problemer og fejlfunktioner kan muligvis udbedres ved at resette til fabriksindstillingerne.
- Alle forindstillinger som f.eks. equalizer, favoritter og netværksprofilerne slettes dog uigenkaldeligt.

10. Vedligeholdelse og pleje

- Rengør kun dette produkt med en fnugfri, let fugtet klud, og anvend ikke aggressive rengøringsmidler.
- Hvis du ikke anvendes produktet i længere tid, skal du slukke apparatet og afbryde det fra strømforsyningen. Opbevar det på et rent, tørt sted uden sollys.

11. Udelukkelse af garantikrav

Hama GmbH & Co. KG påtager sig ikke ansvar eller garanti for skader, der skyldes ukorrekt installation, montering og ukorrekt brug af produktet eller manglende overholdelse af betjeningsvejledningen og/eller sikkerhedshenvisningerne.

12. Overensstemmelseserklæring

CE Hermed erklærer Hama GmbH & Co KG, at radioudstyrstypen [00054881, 00054882, 00054886, 00054887] er i overensstemmelse med direktiv 2014/53/EU. EU-overensstemmelseserklæringens fulde tekst kan findes på følgende internetadresse: www.hama.com -> 00054881, 00054882, 00054886, 00054887 -> Downloads.

Frekvensbånd	Bluetooth: 2.402 GHz - 2.480 GHz WiFi: 2.402 GHz – 2.480 GHz WiFi: 2.412 GHz – 2.483 GHz WiFi: 5.150 GHz – 5.350 GHz WiFi: 5.470 GHz – 5.725 GHz
Maksimal radiofrekvenseffekt	Bluetooth: 4 dBm (EIRP) WiFi: 2.4 GHz / 19.5 dBm (EIRP) WiFi: 5 GHz / 16.5 dBm (EIRP)

Belgien, Bulgarien, Tjekkiet, Danmark, Tyskland, Estland, Irland, Grækenland, Spanien, Frankrig, Kroatien, Italien, Cypern, Letland, Litauen, Luxembourg, Ungarn, Malta, Nederlandene, Østrig, Polen, Portugal, Rumænien, Slovenien, Slovakiet, Finland, Sverige, Storbritannien

Bemærkning



Hvis kanalerne 36-64 (frekvens 5,150 GHz – 5,350 GHz) anvendes i 5 GHz WLAN, må produktet kun anvendes i lukkede rum.

Betjeningslementer og indikatorer

A. Kontrollpanel for høyttaler

1. [POWER]-TAST
2. [SOURCE]-TAST
3. [MIKROFON-MUTE]-TAST
4. [ACTION]-TAST
5. [VOLUM] --TAST
6. [VOLUM] +-TAST

B. Forside

1. Status-LED 1-5
2. Status-LED oppdatering

C. Bakside

1. Gjenger for veggbrakett
2. [SETUP]-tast
3. Optical in-kontakt
4. AUX-in-kontakt
5. AUX-out-kontakt
6. USB (Playback & Update)
7. Netttilførselsledning

D. Fjernkontroll

1. Power
2. Høyttaler mute
3. Action
4. Mikrofon mute
5. Bass +
6. Bass –
7. Vol +
8. Vol –
9. EQ1 (Standard)
10. Uten funksjon
11. EQ2 (MyEQ)
12. Optical IN
13. Bluetooth
14. Line-IN
15. Previous
16. Play / Pause
17. Next
18. Pairing

Merknad



- Dette er en kortveiledning som gir deg viktige grunninformasjoner, slik som sikkerhetshenvisninger og informasjon om hvordan du tar produktet ditt i bruk.
- På grunn av miljøvern og sparing av verdifulle råstoffer, har ikke firmaet Hama en printet bruksanvisning, og tilbyr denne kun som PDF-download / eManual under www.hama.com.
- Bruk artikkelnummeret som søk i søkefunksjonen for å lettere finne riktig produktdokumentasjon.
- Denne bruksanvisningen kan du lagre for senere bruk på din PC eller du kan også skrive den ut.

1. Forklaring av faresymboler og merknader

Fare for elektrisk støt



Dette symbolet viser til fare for berøring av produktdele som ikke er isolert og som potensielt leder farlig spenning med en styrke som kan forårsake elektriske støt.

Advarsel



Benyttes for å merke sikkerhetsinformasjon eller for å rette oppmerksomheten mot spesielle farer og risikoer.

Merknad



Benyttes for å merke informasjon eller viktige merknader ytterligere.

2. Pakkeinnhold

- Hama Smart Speaker „SIRIUM2000AMBT/SIRIUM2100AMBT“
- Nettdel
- Fjernkontroll SRC-1805-Layout B
- 2x batterier AAA
- Hurtigstartanvisning

3. Sikkerhetsanvisninger

- Produktet er bare beregnet på innendørs bruk.
- Produktet er konstruert for privat, ikke-yrkesmessig bruk i hjemmet.
- Ikke utsett apparatet for smuss, fuktighet og overoppheting, og bruk det kun i tørre rom.
- Dette produktet skal, som alle elektriske apparater, oppbevares utilgjengelig for barn!
- Produktet skal ikke falle ned fra høyder, og må ikke utsettes for kraftig risting.
- Produktet skal ikke benyttes utenfor de ytelsesgrensene som er angitt under tekniske spesifikasjoner.
- På grunn av fare for kvelning skal små barn holdes unna emballasjen.
- Fjern emballasjen umiddelbart i henhold til gyldige lokale forskrifter for avfallshåndtering.
- Foreta aldri endringer på apparatet. Det vil føre til at garantikrav ikke lenger kan gjøres gjeldende.

Fare for elektrisk støt



- Produktet skal ikke åpnes og ikke benyttes dersom det er skadet.
- Produktet skal ikke benyttes dersom AC-adapteren, adapterkabelen eller nettleddningen er skadet
- Prøv aldri å vedlikeholde eller reparere produktet på egenhånd. Vedlikeholdsarbeid skal kun utføres av ansvarlig fagpersonell.

Advarsel – batterier



- Vær alltid oppmerksom på batterienes polaritet (+ og -) og sørg for at de legges inn korrekt. Hvis polariteten ikke er korrekt, er det fare for at batterivæsken renner ut eller fare for eksplosjon.
- Små barn skal ikke skifte batterier uten tilsyn av en voksen.
- Bland aldri gamle og nye batterier, og bruk aldri batterier av forskjellige typer eller fra forskjellige produsenter.
- Ta ut batteriene fra produkter som ikke skal benyttes over lengre tid.
- Batteriene skal aldri kortsluttes.
- Lad ikke opp batteriene.
- Kast aldri batterier i åpne flammer.
- Batterier skal oppbevares utilgjengelig for barn.
- Ta ut og kasser brukte batterier ut av produktet med en gang.

4. Idriftsettelse

Hold fjernkontrollen i drift

Åpne dekselet på batterirommet. Dette er plassert på baksiden av fjernkontrollen og kan åpnes ved å skyve i den angitte retningen. Det medfølger to AAA-batterier som skal settes inn i batterirommet. Vær alltid oppmerksom på batterienes polaritet og sørg for at de legges inn korrekt. Anvist polaritet (+/-) er merket i batterirommet.

Advarsel



- Produktet må bare kobles til en stikkontakt som er godkjent for dette. Stikkontakten må plasseres i nærheten av produktet og være lett tilgjengelig.
- Koble produktet fra strømmettet med på-/avbryteren – hvis denne ikke er tilgjengelig, trekker du strømlenningen ut av stikkontakten.
- Vær ved multistiktdåser oppmerksom på, at de tilsluttede forbrugere ikke overskrider det tilladte samlede effektforbrug.
- Afbryd produktet fra nettet, hvis du ikke bruker det i lengere tid.

Innkobling

- Koble høyttalerens strømkabel til en forskriftsmessig installert stikkontakt.
- Høyttaleren slår seg på automatisk.

Merknad ved første gangs innkobling



- Når høyttaleren slår seg på for første gang, er den i modusen "Første innretting av enheten" og status-LED-ene (1-5) pulserer.
- Hvis oppsettmodus ikke er aktivert, trykk kort på [SETUP]-knappen (2) på baksiden av enheten for å aktivere WPS-modus (blinker raskt). Hvis det ikke fungerer kan du trykke og holde [SETUP]-knappen (2) i ca. 7 sekunder for å åpne AccessPoint (blinker sakte).
- Når du slår på igjen, blinker alle Status-LEDene (1-5) oransje til de utførte tilkoblingene er gjenopprettet. Dette kan ta opptil 20 sekunder, avhengig av signalstyrken på Internett.

Slå på/slå av/ standby

- Trykk på [POWER] (1) for å slå på høyttaleren. Alternativt kan du trykke [POWER] (1) på fjernkontrollen.
- Trykk en gang til på [POWER] (1) på enheten eller fjernkontrollen for å slå på høyttaleren. (Standby)

Merknad



- For å slå høyttaleren helt av, trekk ut stikkkontakten.

Tilpasse lydstyrke/mute

- Trykk [VOLUME +/-] for å redusere/øke volumet.
- Trykk på [Mute] (2) på fjernkontrollen for å tilbakestille lydstyrken til verdien før stumkobling.
- Trykk på nytt [Mute] (2), på fjernkontrollen for å tilbakestille lydstyrken til verdien før stumkobling.

5. Innrette høyttaleren

Merknad



- For å bruke produktets hele funksjonsområde må i tillegg Amazon Alexa app lastes ned, og en Amazon konto opprettes. Følg henvisningene i Amazon Alexa app. Ytterligere informasjon om dette finner du under www.amazon.com.

5.1 Laste ned Hama Smart Audio app

Merknad



Følgende operativsystem støttes:

- iOS 8 eller høyere
- Android 4.4.2 eller høyere
- Åpne iTunes AppStore eller Google Play Store på din smarttelefon.
- Bruk søkebegrepet "Hama Smart Audio".
- Last ned appen som vanlig og installer denne på smarttelefonen din. Følg henvisningene til smarttelefonen din.

5.2 Første innretning av enheten med Hama Smart Audio App (ALEXA-funksjon)

Merknad Henvisning - WLAN (kabeløst nettverk)



- Kontroller at ruterer er innkoblet og fungerer som den skal, og at forbindelsen til Internett/nettverket er etablert.
- Aktiver WLAN-forbindelsen til ruterer din, dersom dette ikke er gjort.
- Dersom det oppstår spørsmål angående konfigurasjon av ruter, så bruker du bruksanvisningen til ruterer for feilsøk/problemløsning.
- Forsikre deg om at høyttaleren er i WLAN pairing-modus. Status-LED-ene (1-5) blinker.
- Forsikre deg om at du har installert appen Hama Smart Audio og alle ny oppdateringer på smarttelefonen.

- Åpne appen Hama Smart Audio og trykk på [CONFIGURE].
- Trykk deretter på [Add More Speakers].
- Åpne WLAN-innstillingene på smarttelefonen ved å trykke på [OPEN Settings].
- Finn fram til høyttaleren Hama SIRIUM2000AMBT/SIRIUM2100AMBT i WLAN-innstillingene på smarttelefonen.

Merknad



- Høyttaleren oppretter et eget WLAN-nett som kalles SIRIUMSetup og har de første seks tegnene til MAC-adressen. (f.eks. SIRIUMSetup_E69EBB) Dette WLAN-nettet trenger ikke passord

Koble smarttelefonen sammen med høyttaleren.

- Gå nå tilbake til Hama Smart Audio App på smarttelefonen din.
- Velg ønsket WLAN-navn (SSID) som du ønsker å forbinde høyttaleren med.
- Oppgi deretter netværksnøkkelen om nødvendig, og bekreft med [Save].
- Bekreft de valgte innstillingene ved å trykke på [CONFIRM].
- Nå kobler høyttaleren seg til nettverket. Når tilkoblingen er utført, blir "Høyttaler konfigurert" vist på smarttelefonen.
- LEDene slår seg av etter noen sekunder.

Merknad



- På iOS kan det hende at appen nå er lukket og må startes på nytt. Følg deretter de to neste trinnene.
- Konfigurert Soundbar skal nå vises i hovedmenyen. Trykk på ikonet på høyttaleren.
- Trykk på [Source] nederst på skjerm bildet for å opprette en forbindelse til Amazon-kontoen.
- Trykk deretter på menyknappen [Amazon Alexa].

- Trykk på [Sign in with Amazon] for å åpne nettleseren så du kan legge inn tilgangsdata.

Merknad



- Hvis Amazon Shopping-appen allerede er installert og installert på smarttelefonen, kan man hoppe over følgende trinn.
- Bruk tastaturet på smarttelefonen for å legge inn tilgangsdata for Amazon-kontoen og bekreft informasjonen ved å logge inn.
- Du kan også trykke på [Create a new Amazon account] for å opprette en ny Amazon-konto.

- Når du har logget deg inn, går du tilbake til appen Hama Smart Audio.
- Nå velger du det språket som Alexa skal reagere på framover.

- Åpne Amazon Alexa-appen og skriv inn innloggingsinfo igjen hvis nødvendig. Du bør da finne høyttaleren sammen med aktive enheter.
- Gjennomfør deretter personlige innstillinger (tidssone, enhetsnavn osv.) i appen Amazon Alexa. Mer informasjon om dette finner du på www.amazon.de -> Hjelp og kundeservice.

Merknad



- Hvis Amazon Market App allerede er installert og installert på smarttelefonen, vil enkelte smarttelefoner overta brukerdataene direkte fra appen.
- For å konfigurere en ny Amazon-konto, logg ut og gjenta trinnene i dette kapittelet.

Merknad Alexa Push to talk/ Function Key



- Trykk kort på [Action]-tasten (4) på høyttaleren for å aktivere henholdsvis Alexa under audiodrift eller høyere lydstyrke. Alternativt kan du trykke [Action]-tasten (3) på fjernkontrollen.
- Trykk på [Mikrofon mute]-tasten (3) for å koble ut mikrofonen. Hvis mikrofonene er deaktivert, lyser status-LED-ene (1-5) permanent rødt. Alternativt kan du trykke [Mikrofon mute]-tasten (4) på fjernkontrollen
- Nå reagerer ikke høyttaleren lenger på aktiveringsordet før mikrofonene blir aktivert igjen.
- Trykk på [Mikrofon Mute]-knappen (3) igjen for å aktivere mikrofonene på nytt. Alternativt kan du trykke [Mikrofon Mute]-knappen (4) på fjernkontrollen. Status-LED-ene (1-5) slukker.

6. Bluetooth førstegangs tilkobling (paring)

Via Bluetooth kan du koble slutteneheten til høyttaleren og bruke den som avspillingsenhet for lydsignaler. Styringen av avspillingen gjøres direkte på slutteneheten eller fjernkontrollen. Volumet kan også justeres direkte på høyttaleren.

Merknad – Bluetooth®



- Kontroller at ditt mobile sluttstyr (smarttelefon, nettbrett, osv.) er Bluetooth-kompatibelt.
- Vær oppmerksom på at *Bluetooth®* har en maksimal rekkevidde på ti meter, uten hindringer som vegger, personer osv.
- Forbindelsen kan bli forstyrret som følge av andre *Bluetooth®*-enheter/forbindelser i omgivelsene.
- Høyttaleren kan alltid kobles til kun én sluttenehet.
- Vær oppmerksom på at den brukte *Bluetooth®* profilers kompatibilitet er avhengig av hvilken *Bluetooth®* versjon som brukes. (se: Tekniske data, sluttenehetens bruksanvisning)

- Kontroller at din Bluetooth-kompatible sluttenehet er innkoblet, og at Bluetooth er aktivert.
- Aktiver AUX-modus ved å trykke gjentatte ganger på [SOURCE]-tasten (2) på høyttaleren for å aktivere Bluetooth-modus.
- Alternativt kan du trykke [Bluetooth] (13) på fjernkontrollen.
- Status-LED for Bluetooth (4) begynner å blinke fort.
- Trykk og hold [SOURCE]-knappen (2) i ca. 2 sekunder for å aktivere pairing-modus. Status-LED for Bluetooth (4) begynner å blinke blått, og et lydsignal høres.
- Åpne Bluetooth-innstillingene på slutteneheten, og vent til Hama SIRIUM2000AMBT/SIRIUM2100AMBT vises i listen over lokaliserte Bluetooth-enheter.
- Start eventuelt søk etter Bluetooth-enheter på slutteneheten din.
- Velg høyttaleren Hama SIRIUM2000AMBT/ SIRIUM2100AMBT i listen med lokaliserte enheter og vent til høyttaleren vises som forbundet i Bluetooth innstillingene til slutteneheten din.
- Status-LED Bluetooth (4) lyser nå permanent i blått.
- Start og styr lydavspillingen tilsvarende over sluttenehet eller fjernkontroll.

Merknad – Bluetooth® passord



- Enkelte sluttapparater behøver et passord for å innrette en forbindelse med et annet *Bluetooth®* apparat.
- For forbindelse med høyttaleren taster du inn passordet **0000** når du blir oppfordret til å taste inn passord på slutteneheten din.

7. Forbindelse via Optical IN

Via den digitale lydinngangen på høyttaleren kan du koble til slutteneheten din (f.eks. TV-apparat) og spille av lydsignalet fra denne med høyttaleren.

Merknad



- Slå av høyttaleren før du kobler til en slutteneheten til den.
 - Før tilkoblingen må du fjerne beskyttelseshettene fra begge endene på den optiske signalkabelen.
 - Ikke bøy eller klem kabelen.
- For avspilling via den optiske audiokontakten, koble en optisk signalkabel til den optiske audioinngangen til høyttaleren og til den optiske audiooutgangen på slutteneheten din og velg Optical-modus.
 - Hold inne [POWER] (1) i ca. 3 sekunder for å slå på høyttaleren.
 - Aktiver AUX-modus ved å trykke gjentatte ganger på [SOURCE]-tasten (2) på høyttaleren for å aktivere Optical-modus.
 - Status-LED-en (4) lyser lilla når du har valgt Optical-modus.
 - Alternativt kan du trykke [Optical IN] (12) på fjernkontrollen.

8. Forbindelse via Auxiliary In/Auxiliary Out

Via den analoge lydinngangen kan du koble til mobile slutteneheter (f.eks. smarttelefoner, nettbrett, MP3-spillere osv.) og eldre analoge kilder (CD-/DVD-spillere osv.) til høyttaleren og spille av lydsignalene fra dem på høyttaleren. Her har du tilkoblingsmuligheter via en 3,5 mm lyd kabel (jack-kabel).

Den analoge audiooutgangen (5) kan brukes til å koble til ekstra høyttalere som også gjengir audiosignalet.

Merknad



- Slå av høyttaleren før du kobler til en slutteneheten til den.
 - Ikke bøy eller klem kabelen.
- For avspilling via AUX-In-tilkoblingen, koble enheten til høyttaleren via AUX-In-kontakten (4) ved hjelp av en 3,5 mm lyd kabel (jack-kabel) og velg AUX-modus.
 - For avspilling via AUX-In-tilkoblingen, koble f.eks. enheten til høyttaleren/en forsterker via AUX-In-kontakten (5) ved hjelp av en 3,5 mm lyd kabel (jack-kabel) med en høyttaler og velg AUX-modus.
 - Trykk på [POWER] (1) for å slå på høyttaleren.
 - Aktiver AUX-modus ved å trykke gjentatte ganger på [SOURCE]-tasten (2) på høyttaleren.
 - Status-LED-en (4) lyser grønt når du har valgt AUX-modus.

- Start og styr lydavspillingen via den tilkoblede slutteneheten.
- Alternativt kan du trykke [LINE IN] (14) på fjernkontrollen.

9. Standardinnstilling

Slik går du frem for å stille høyttaleren tilbake til standardinnstillinger (leveringstilstand):

- Trykk og hold [SETUP] (2) og [Action] (4)-knappene i ca. 6 sekunder for å tilbakestille høyttaleren til standardinnstillinger.
- Etter vellykket tilbakestilling vil høyttaleren starte på nytt.

Merknad



- Problemer og feilfunksjoner kan muligens rettes ved å stille tilbake til standardinnstilling.
- Men da blir alle innstillinger som equalizer, favoritter og nettverksprofiler slettet for godt.

10. Vedlikehold og pleie

- Dette produktet skal kun rengjøres med en lufri, lett fuktet klut, uten aggressive rengjøringsmidler.
- Hvis produktet ikke skal benyttes på en stund, må det kobles ut og kobles fra strømforsyningen. Produktet må lagres på et rent, tørt sted, uten direkte solinnstråling.

11. Fraskrivelse av ansvar

Hama GmbH & Co KG overtar ingen form for ansvar eller garanti for skader som kan tilbakeføres til ukynlig installering eller montering eller ukynlig bruk av produktet eller som følge av at produktet har blitt benyttet uten at bruksveiledningen og/eller sikkerhetsanvisningene er tatt hensyn til.

12. Samsvarserklæring

CE Hermed erklærer Hama GmbH & Co KG at radioanleggtypen [00054881, 00054882, 00054886, 00054887] tilsvarende direktiv 2014/53/

EU. Den komplette teksten til EU-samsvarserklæringen finnes på følgende Internettadresse:

www.hama.com -> 00054881, 00054882, 00054886, 00054887 -> Downloads.

Frekvensbånd/ frekvensbånd	Bluetooth: 2.402 GHz - 2.480 GHz WiFi: 2.402 GHz – 2.480 GHz WiFi: 2.412 GHz – 2.483 GHz WiFi: 5.150 GHz – 5.350 GHz WiFi: 5.470 GHz – 5.725 GHz
Avstrålt maksimal sendeeffekt	Bluetooth: 4 dBm (EIRP) WiFi: 2.4 GHz / 19.5 dBm (EIRP) WiFi: 5 GHz / 16.5 dBm (EIRP)

Innskrenkninger eller krav i

Belgia, Bulgaria, Tsjekkisk republikk, Danmark, Tyskland, Estland, Irland, Hellas, Spania, Frankrike, Kroatia, Italia, Kypros, Lettland, Litauen, Luxemburg, Ungarn, Malta, Nederland, Østerrike, Polen, Portugal, Romania, Slovenia, Slovakia, Finland, Sverige, Det forente Kongerike

Merknad



Når kanalene 36-64 (frekvens 5,150 GHz – 5,350 GHz) brukes i 5 GHz WLAN, får produktet kun brukes i lukkede rom.



Hama GmbH & Co KG
86652 Monheim/Germany
www.hama.com

Service & Support



www.hama.com
 +49 9091 502-115
D **GB**

GB Listen out loud with Spotify Connect

1. Connect your **SIRIUM2000AMBT/SIRIUM2100AMBT** to your wifi network.
2. Open up the Spotify app on your phone, tablet or laptop using the same wifi network.
3. Play a song and select **Devices Available**.
4. Select your **SIRIUM2000AMBT/SIRIUM2100AMBT** and start listening.

D So nutzt du Connect

Du brauchst Spotify Premium, um Connect nutzen zu können.

1. Verbinde Deine **SIRIUM2000AMBT/SIRIUM2100AMBT** mit Deinem WLAN-Netzwerk (Siehe Produktanleitung für Details).
2. Öffne die Spotify-App auf Deinem Smartphone, Tablet oder PC und verbinde Dich mit demselben WLAN-Netzwerk.
3. Spiele einen Song auf Spotify ab und tippe auf „**VERFÜGBARE GERÄTE**“.
4. Wähle Deine **SIRIUM2000AMBT/SIRIUM2100AMBT** aus und höre die Musik im ganzen Raum.

F Fonctionnement de Spotify Connect

Spotify Connect ne fonctionne qu'avec Spotify Premium.

1. Connectez votre **SIRIUM2000AMBT/SIRIUM2100AMBT** à votre réseau wi-fi (pour plus d'informations, consultez les instructions d'utilisation du produit).
2. Démarrez l'appli Spotify sur votre téléphone, votre tablette ou votre PC en utilisant le même réseau wi-fi que ci-dessus.
3. Écoutez un titre sur Spotify et appuyez sur « **APPAREILS DISPONIBLES** ».
4. Sélectionnez votre **SIRIUM2000AMBT/SIRIUM2100AMBT** pour diffuser la musique.

E Cómo se usa Connect.

Para usar Connect necesitas Spotify Premium.

1. Añade tus **SIRIUM2000AMBT/SIRIUM2100AMBT** a tu red Wi-Fi (consulta las instrucciones del producto).
2. Abre la app de Spotify en el teléfono, tablet u ordenador, conectados a la misma red Wi-Fi que los altavoces.
3. Reproduce una canción en Spotify y dale a “**DISPOSITIVOS DISPONIBLES**”.
4. Selecciona tus **SIRIUM2000AMBT/SIRIUM2100AMBT** y tu música comenzará a sonar en alto.

**The Spotify software is subject to third party licenses found here:
www.spotify.com/connect/third-party-licenses**

The Bluetooth® word mark and logos are registered trademarks owned by Bluetooth SIG, Inc. and any use of such marks by Hama GmbH & Co KG is under license. Other trademarks and trade names are those of their respective owners.

All listed brands are trademarks of the corresponding companies. Errors and omissions excepted, and subject to technical changes. Our general terms of delivery and payment are applied.